

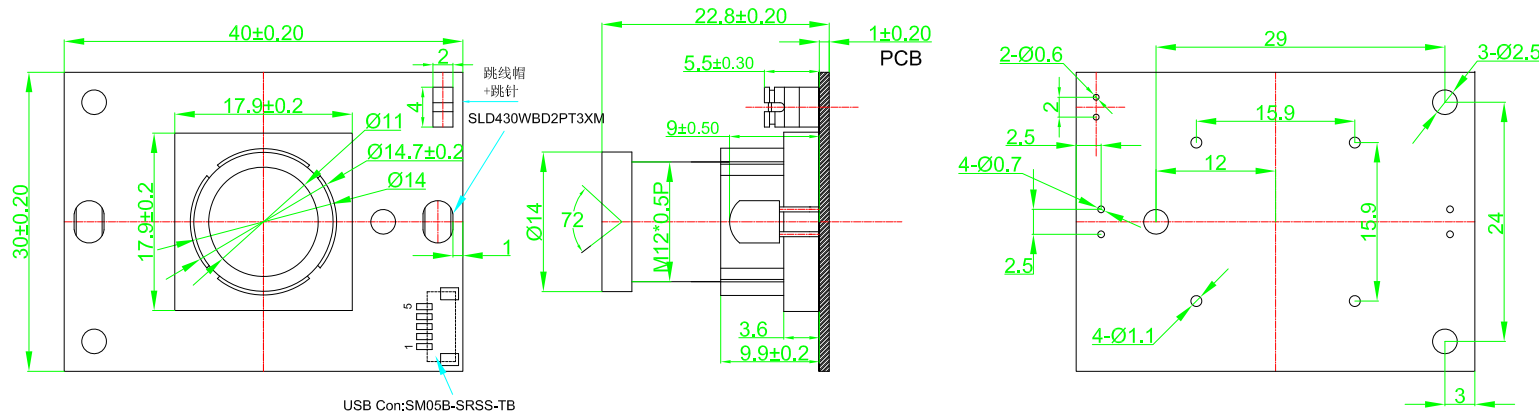
RoHS

# LI-OV5640-USB-72

QR-RD-F002 Rev-A

advert:  
basic tolerance: ±0.1mm  
label have ""is emphasis dimension

|                             |                  |
|-----------------------------|------------------|
| Optical Lens Specification: |                  |
| Focusing Range              | 60cm to Infinity |
| Focal Length                | 2.8mm            |
| F Number                    | 2.6              |
| Fov(H)                      | 72°              |
| TV Distortion               | <-10%            |



| 5PIN USB Conn. |               |
|----------------|---------------|
| PIN NO         | Name          |
| 1              | USB_5V        |
| 2              | USB_DM        |
| 3              | USB_DP        |
| 4              | NC            |
| 5              | shield_Ground |

TOP VIEW

SIDE VIEW

BOTTOM VIEW

Note:# Image direction register use default settings.  
Output format: YUV output

| NO | ITEM        | Q.TY | DESCRIPTION     |
|----|-------------|------|-----------------|
| 1  | PCB         | 1    |                 |
| 2  | TAKING LENS | 1    |                 |
| 3  | Sensor      | 1    | OV5640          |
| 4  | USB Con     | 1    | SM05B-SR55-TB   |
| 5  | DSP         | 1    | SM3732          |
| 6  | LED         | 2    | SLD430WBD2PT3XM |
| 7  |             |      |                 |

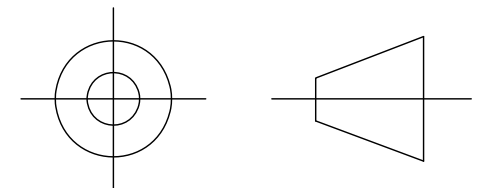
| NO | Change item                             | Version | Date       |
|----|---|---------|------------|
|    | Original                                | V1.0    | 2012-02-05 |
|    | Change the PCB size and Connector       | V1.1    | 2012-02-14 |
|    | Change the PIN order and definition     | V1.2    | 2012-02-15 |
|    | Change the PCB size and add LED         | V1.3    | 2012-02-25 |
|    | Change the PCB size and reduce the LED  | V1.4    | 2012-03-09 |
|    | Change the hole,USB Con and slip stitch | V1.5    | 2012-05-04 |
|    | Change holder and USB connector order   | V1.6    | 2012-05-08 |
|    | Change holder                           | V1.7    | 2021-12-14 |



Leopard Imaging Inc.

|           |       |       |            |               |                  |
|-----------|-------|-------|------------|---------------|------------------|
| Draft:    | Brown | Date: | 2021-12-16 | Project Name: |                  |
| Check:    | Brown | Date: | 2021-12-16 |               |                  |
| Approval: |       | Date: |            |               | LI-OV5640-USB-72 |

|                |      |          |     |
|----------------|------|----------|-----|
| Reinforcement: | 10F1 | Version: | 1.6 |
| Proportion:    | 1:1  | Unit:    | mm  |



## X-ON Electronics

Largest Supplier of Electrical and Electronic Components

*Click to view similar products for [Cameras & Camera Modules](#) category:*

*Click to view products by [Leopard Imaging](#) manufacturer:*

Other Similar products are found below :

[FH-SC](#) [CAMOV5645](#) [73-540-420I](#) [Web Camera module 5.0M pixel](#) [LI-IMX424-GMSL2-070H](#) [73-951-0046](#) [73-954-0001T](#) [73-961-0005](#)  
[1202](#) [1203](#) [73-961-0003](#) [73-961-0012](#) [107139](#) [106983](#) [107115](#) [107149](#) [107142](#) [82535IVCHVM](#) [107140](#) [107113](#) [107112](#) [107141](#) [107147](#)  
[107148](#) [107110](#) [107150](#) [107145](#) [107111](#) [OKY3553](#) [10299](#) [10300](#) [11388](#) [613](#) [EP-DCINTELD-415](#) [1386](#) [4321](#) [4561](#) [43203](#) [104002](#)  
[105716](#) [105993](#) [107206](#) [107645](#) [107646](#) [107655](#) [108010](#) [108172](#) [108173](#) [CLEO-CAM1](#) [107114](#)