



LEOPARD IMAGING INC

# LI-OV9712-USB-M8

## Data Sheet

### Key Features

- Support YUV 720P streaming
- MJPEG compression
- USB 2.0 compliance
- Size: 22mm x 19.5mm
- Low cost with high quality
- Customized based on customer's specs



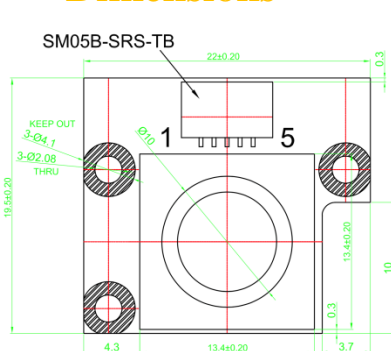
### Interface (SM05B-SRSS-TB)

5 Pin USB Connector (SM05B-SRSS-TB)	
Pin No.	Name
1	USB_5V
2	USB_DM
3	USB_DP
4	GND
5	Shield_Ground

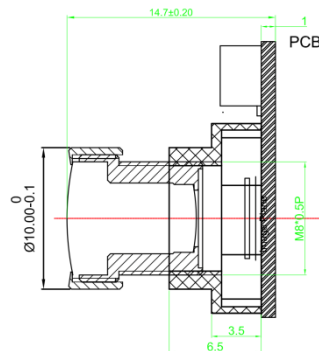
### Lens Specification

- Focusing Range Capability: 5mm to infinity
- The lens is adjustable, the shortest focus can be 5mm
- Focal Length: 2.35 mm
- F Number: 2.5
- Fov (D/H/V): 106 °/89 °/49 °
- TV Distortion: <-40%
- Sensor: OV9712

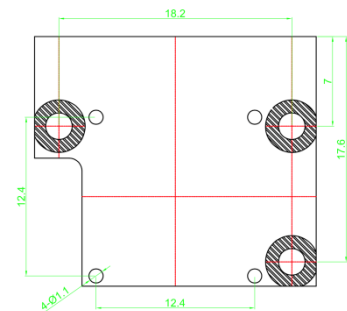
### Dimensions



Top View



Side View



Bottom View



Leopard Imaging Inc.

1130 Cadillac Ct., Milpitas, CA 95035, USA  
 Phone: +1-408-263-0988  
 Fax: +1-408-217-1960  
 Email: sales@leopardimaging.com  
 Website: www.leopardimaging.com  
 www.leopard-security.com

# Specification

General Behavior	
Video Resolution @ Frame rate	1280 x 720 YUV @ 10 fps 800 x 600 YUV @ 18 fps 640 x 480 YUV @ 30 fps 352 x 288 YUV @ 30 fps 320 x 240 YUV @ 30 fps 160 x 120 YUV @ 30 fps 1280 x 720 MJPEG @ 30 fps 800 x 600 MJPEG @ 30 fps 640 x 480 MJPEG @ 30 fps 352 x 288 MJPEG @ 30 fps 320 x 240 MJPEG @ 30 fps 160 x 120 MJPEG @ 30 fps
Adjustment	The following can be adjusted manually: Brightness, Contrast, Hue, Saturation, Sharpness, Gamma, White Balance (default: Auto), Backlight Comp, Gain, Exposure (default: Auto).
Interface (Optical)	
Sensor specification	OmniVision OV9712 sensor
Shutter	Rolling
Format	1/4"
Resolution	H:1280, V: 800
Pixel size	H: 3.0 um, V: 3.0 um
Lens	M8 lens
Interface (Electrical)	
Interface	USB 2.0
Supply voltage	USB 2.0 +5 VDC power source
Current consumption	Approx. 140 mA at 5 VDC
Interface (Mechanical)	
Dimensions	L: 22 mm, W: 19.5 mm, H: 14.7 mm
Mass	2 g
Environmental	
Max. temperature (operation)	0 °C ~ 50 °C (32 °F~ 122 °F)
Max. temperature (storage)	-20 °C ~ 80 °C (-4 °F~176 °F)
Max. humidity (operation)	20 % ~ 80 %, relative, non-condensing
Max. humidity (storage)	20 % ~ 80 %, relative, non-condensing



Leopard Imaging Inc.

1130 Cadillac Ct., Milpitas, CA 95035, USA  
 Phone: +1-408-263-0988  
 Fax: +1-408-217-1960  
 Email: sales@leopardimaging.com  
 Website: www.leopardimaging.com  
 www.leopard-security.com

## X-ON Electronics

Largest Supplier of Electrical and Electronic Components

*Click to view similar products for [Cameras & Camera Modules](#) category:*

*Click to view products by [Leopard Imaging](#) manufacturer:*

Other Similar products are found below :

[FH-SC](#) [CAMOV5645](#) [73-540-420I](#) [Web Camera module 5.0M pixel](#) [LI-IMX424-GMSL2-070H](#) [73-951-0046](#) [73-954-0001T](#) [73-961-0005](#)  
[1202](#) [1203](#) [73-961-0003](#) [73-961-0012](#) [107139](#) [106983](#) [107115](#) [107149](#) [107142](#) [82535IVCHVM](#) [107140](#) [107113](#) [107112](#) [107141](#) [107147](#)  
[107148](#) [107110](#) [107150](#) [107145](#) [107111](#) [OKY3553](#) [10299](#) [10300](#) [11388](#) [613](#) [EP-DCINTELD-415](#) [1386](#) [4321](#) [4561](#) [43203](#) [104002](#)  
[105716](#) [105993](#) [107206](#) [107645](#) [107646](#) [107655](#) [108010](#) [108172](#) [108173](#) [CLEO-CAM1](#) [107114](#)