



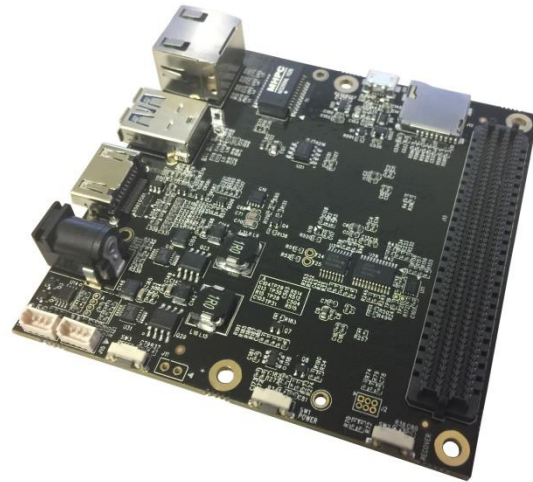
LEOPARD IMAGING INC

Rev 1.2

Technical details

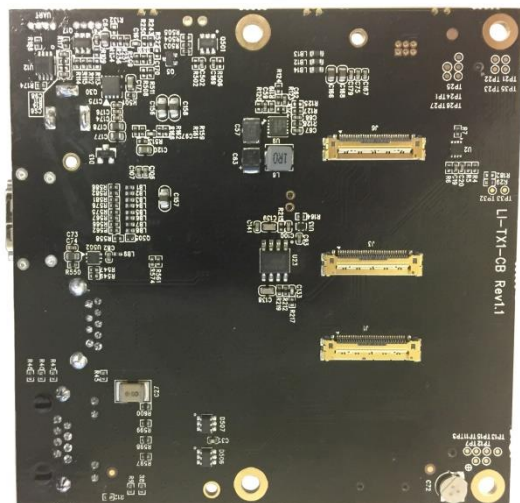
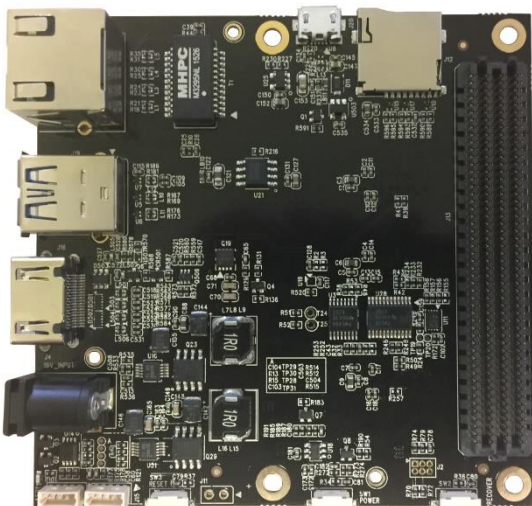
- Carrier board for NVIDIA Jetson TX1/TX2 SOM
- 3 MIPI camera interfaces (4-lane)
- 1 micro SD card interface
- 1 USB3 Type A connector
- 1 HDMI connector
- 1 power socket (DC 12V)
- 1 RJ45 connector
- 1 USB 2.0 micro B interface
- 1 Fan connector (4 pin)
- 1 UART interface (4pin, 3.3V TTL)
- Weight: 54g (without TX1/2 SOM)
- Size: 87mm x 88mm
- Part#: **LI-TX1-CB**

LI-TX1-CB Data Sheet



BOM

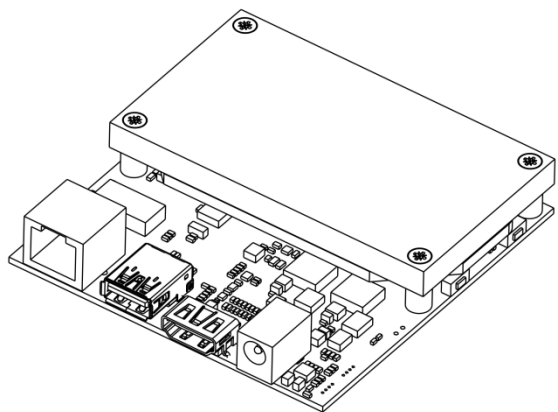
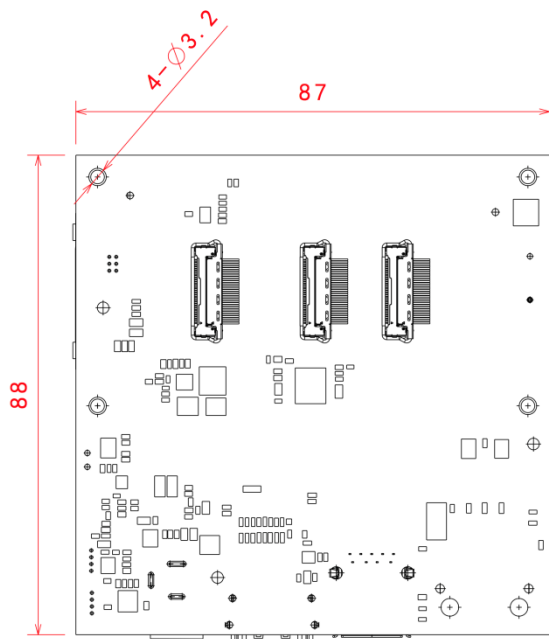
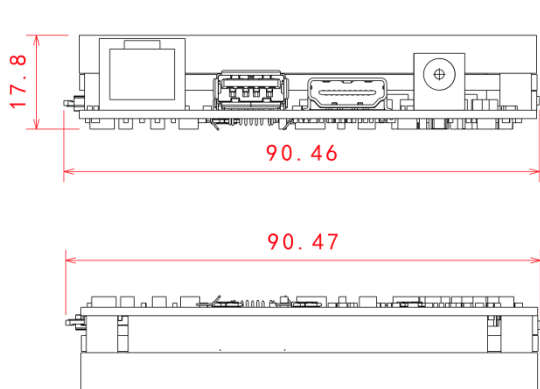
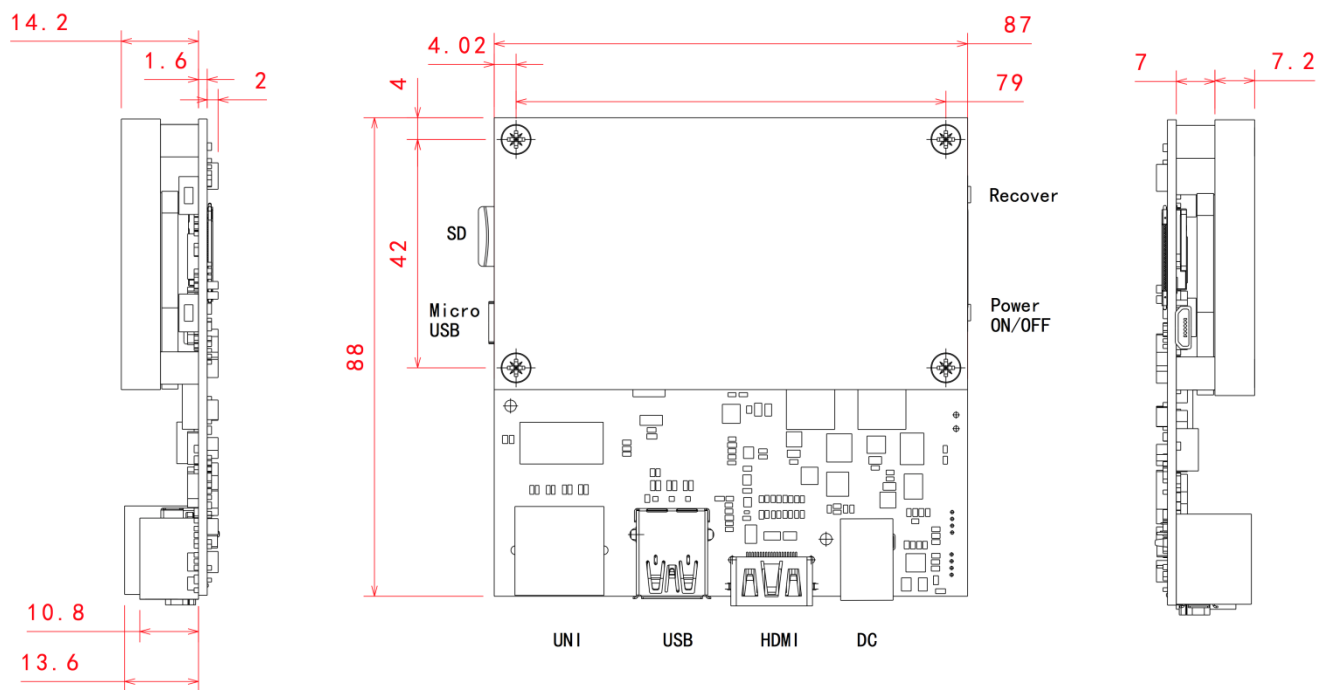
#	Items	QTY
1	LI-TX1-CB carrier board	1
2	DC 12V power supply	1
3	USB 2.0 Type A - Micro B cable	1



Leopard Imaging Inc.

48820 Kato Rd, Suite 100B, Fremont, CA 94538, USA
Phone: +1-408-263-0988
Fax: +1-408-217-1960
Email: sales@leopardimaging.com
Website: www.leopardimaging.com

Dimensions (with TX1/TX2 SOM)

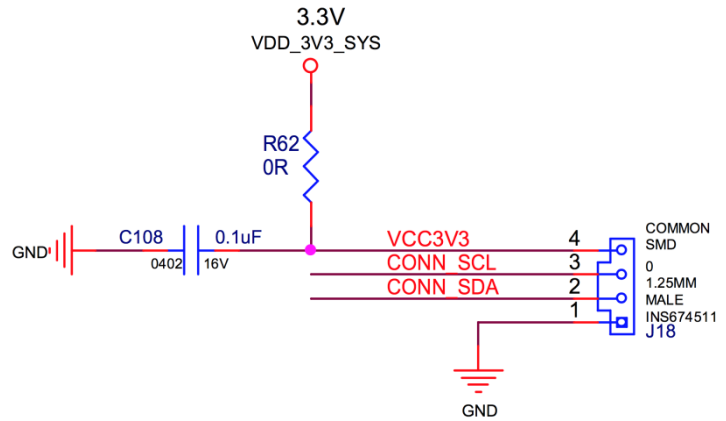


Leopard Imaging Inc.

48820 Kato Rd, Suite 100B, Fremont, CA 94538, USA
 Phone: +1-408-263-0988
 Fax: +1-408-217-1960
 Email: sales@leopardimaging.com
 Website: www.leopardimaging.com

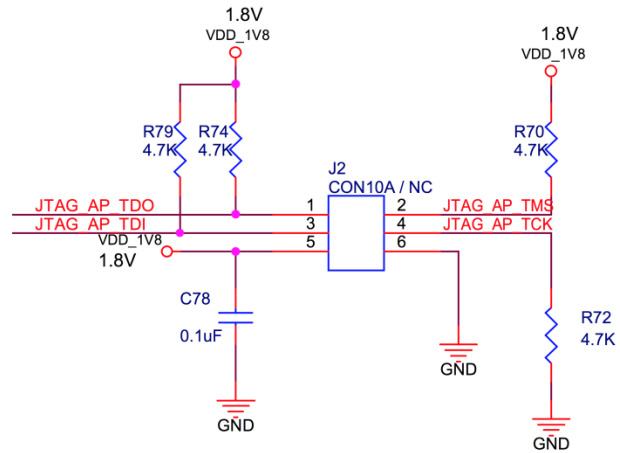
Interface J18 (External I2C header)

- Part#: 0530470410
- Number of Contacts: 4
- Pitch: 1.25 mm
- Mating Connector: 0510210400



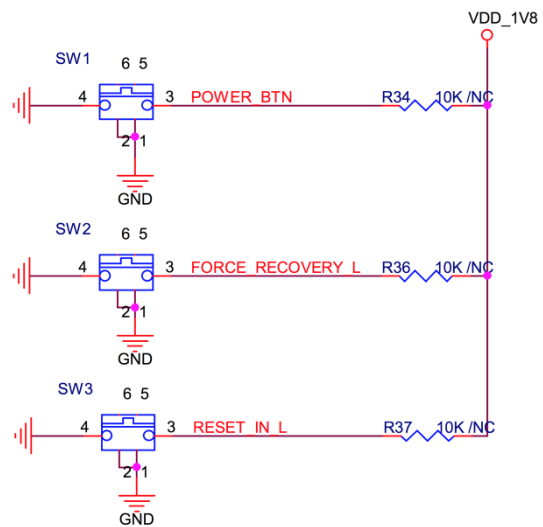
Interface J2 (JTAG header)

- 6-pin interface



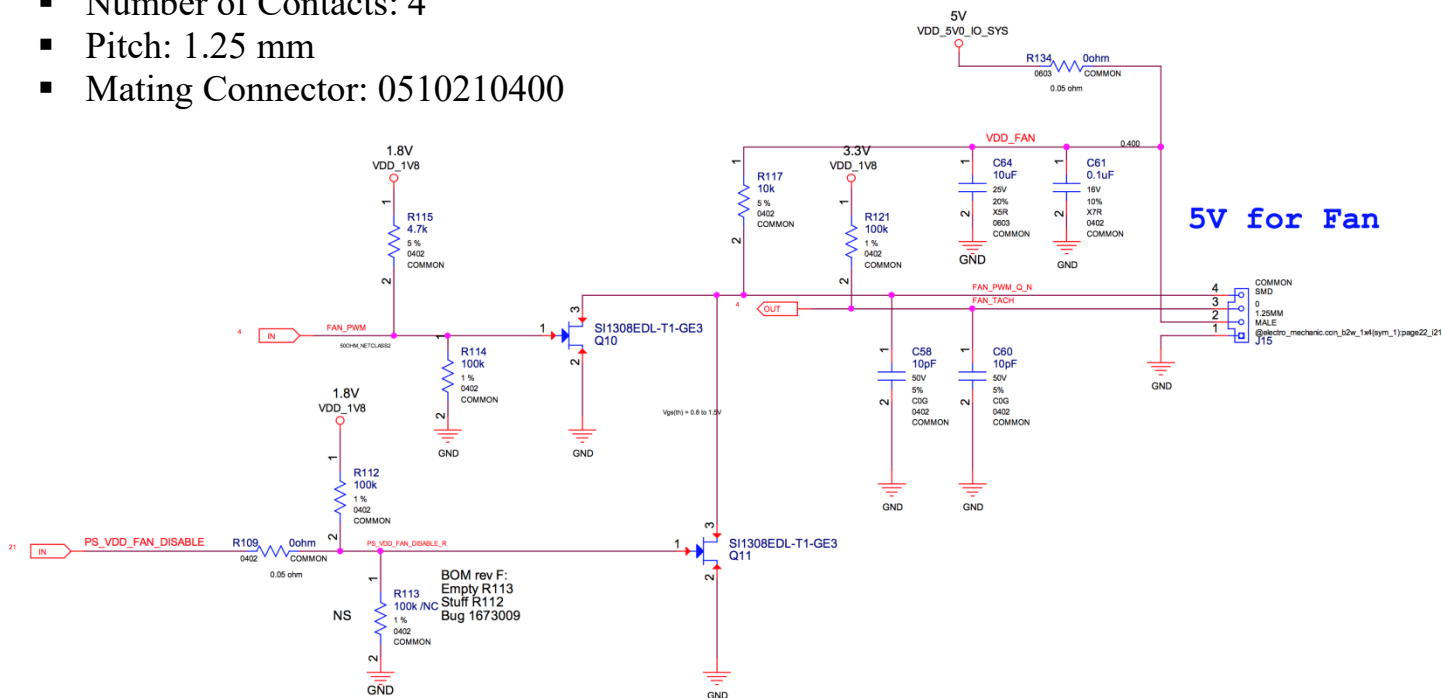
Button SW1, SW2, SW3

- Part#: TL3330AF130QG
- Actuator Type: Rectangular Button



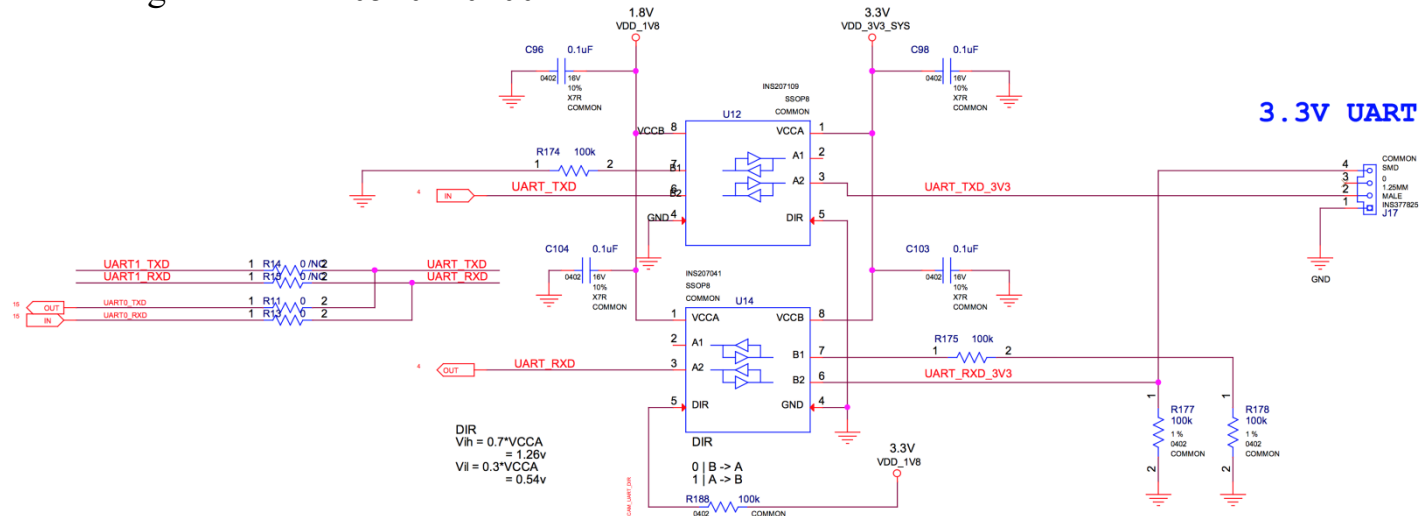
Fan Interface

- Part#: 0530470410
- Number of Contacts: 4
- Pitch: 1.25 mm
- Mating Connector: 0510210400



UART Interface

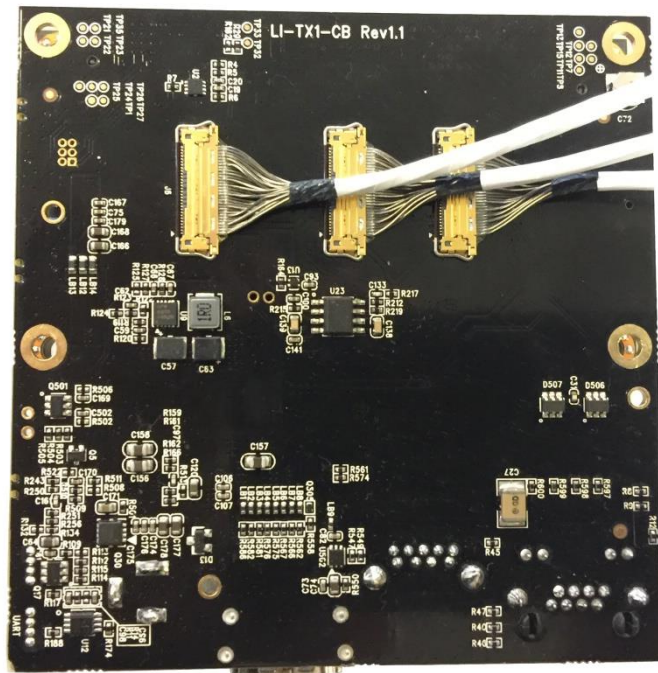
- Part#: 0530470410
- Number of Contacts: 4
- Pitch: 1.25 mm
- Mating Connector: 0510210400



Leopard Imaging Inc.

48820 Kato Rd, Suite 100B, Fremont, CA 94538, USA
 Phone: +1-408-263-0988
 Fax: +1-408-217-1960
 Email: sales@leopardimaging.com
 Website: www.leopardimaging.com

Support one to three 4-lane MIPI cameras



Leopard Imaging Inc.

48820 Kato Rd, Suite 100B, Fremont, CA 94538, USA
Phone: +1-408-263-0988
Fax: +1-408-217-1960
Email: sales@leopardimaging.com
Website: www.leopardimaging.com

X-ON Electronics

Largest Supplier of Electrical and Electronic Components

Click to view similar products for [Camera Accessories](#) category:

Click to view products by [Leopard Imaging](#) manufacturer:

Other Similar products are found below :

[APG-25R-AG](#) [MX60S05K2FA](#) [USB cable](#) [1434](#) [1645](#) [1646](#) [1647](#) [1730](#) [ADZS-CAM-EX3](#) [3253](#) [PRT-14272](#) [ZFX-XC3A](#) [82634DSIPEX](#)
[2144](#) [3446](#) [3518](#) [1731](#) [2000024601](#) [2000026249](#) [2000026832](#) [2000029679](#) [2000032201](#) [2000035953](#) [2000036066](#) [2200000191](#)
[2200000314](#) [82635DSITR50P](#) [2894](#) [1648](#) [2143](#) [2632](#) [101990643](#) [113990818](#)