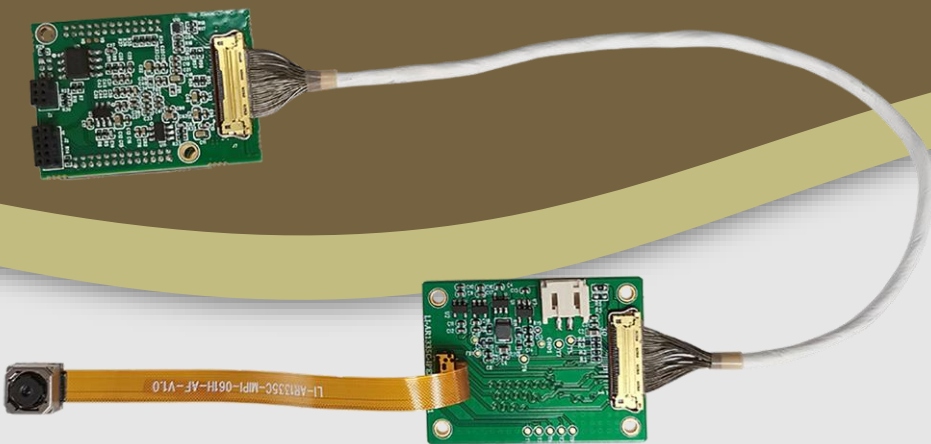




LI-USB30-AR1335C-061H



Address:

48820 Kato Road
Suite 100B
Fremont, CA 94538
USA



Phone:

+1 (408)263-0988

Fax:

+1 (408)217-1960



Sales:

sales@leopardimaging.com

Support:

support@leopardimaging.com

KEY FEATURES

- USB 3.0 Super Speed support
- RAW data output without compression
- UVC compliant
- Color camera
- Allows customization
- USB + 5 VDC powered device
- Part#: **LI-USB30-AR1335C-061H**

BOM

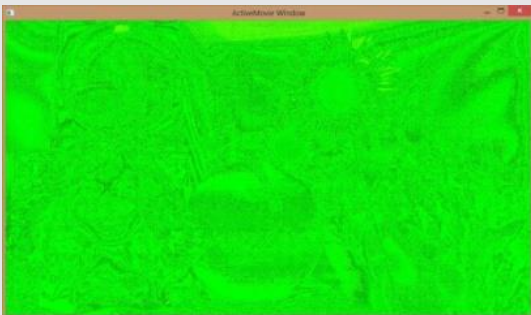
#	Items	QTY	Unit
1	LI-AR1335C-MIPI-061H-AF	1	Piece
2	LI-USB30-CSLINK-IPX-TESTER (LI-USB30 + LI-CSLINK-IPX-TESTER)	1	Set
3	LI-AR1335C-IPEX-ADP board	1	Piece
4	FAW-1233-02 (200 mm)	1	Piece

SDK SUPPORTED

- Camera Tool Source Code in C#
- Capture & Display
- RAW to RGB Conversion
- Save file as BMP & RAW format
- Access Registers

APPLICATIONS

- Digital Still Cameras
- PC Cameras
- IoT
- Robots



RAW data streaming

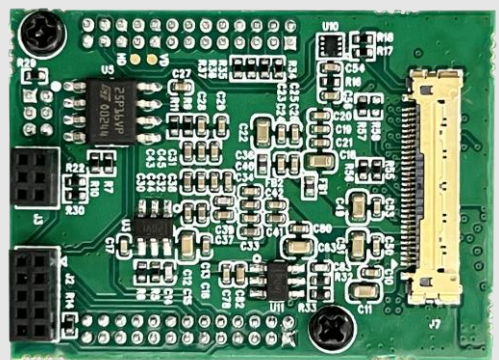
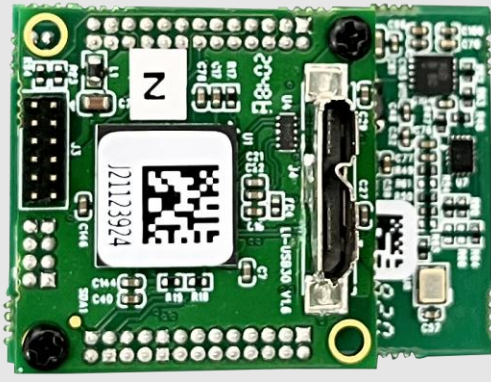


Camera Tool view mode

SPECIFICATIONS

Optical Specification	
Sensor	ON Semiconductor 13MP CMOS Digital Image Sensor AR1335 CSP
Optical Format	1/3.2"
Resolution	4208 (H) x 3120 (V) (active pixels)
Pixel Size	1.1 μm Back Side Illuminated (BSI)
Output Format	6-bit / 8-bit / 10-bit RAW data
Frame Rate	9 fps @ 4208 x 3120
Color / Mono	Color sensor
Electrical Specification	
Interface	USB 3.0
Power Supply	USB 3.0 + 5 VDC power source
Power Consumption	200 mA @ 5 VDC (4208 x 3120 @ 9 fps)
Mechanical Specification	
Dimensions	LI-AR1335C-MIPI-061H-AF: 95.1 (L) x 8.5 (W) mm
	LI-USB30: 26.0 (L) x 26.0 (W) mm
	LI-CSLINK-IPX-TESTER: 36.5 (L) x 26.5 (W) mm
Weight	LI-AR1335C-MIPI-061H-AF: ~ 0.7 g
	LI-USB30-CSLINK-IPX-TESTER: ~ 11.0 g
	LI-AR1335C-IPEX-ADP: ~ 5.0 g
Environmental	
Operating Temp	-20°C ~ +85°C
Storage Temp	-20°C ~ +85°C

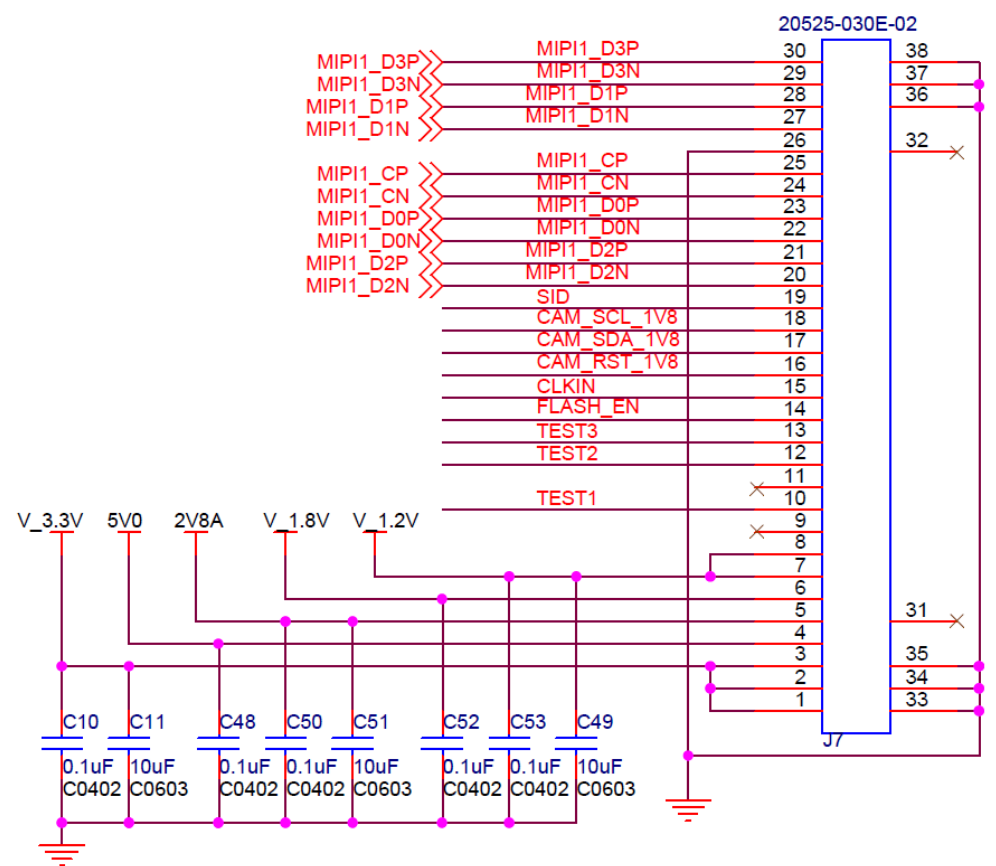
LI-USB30-CSLINK-IPX-TESTER



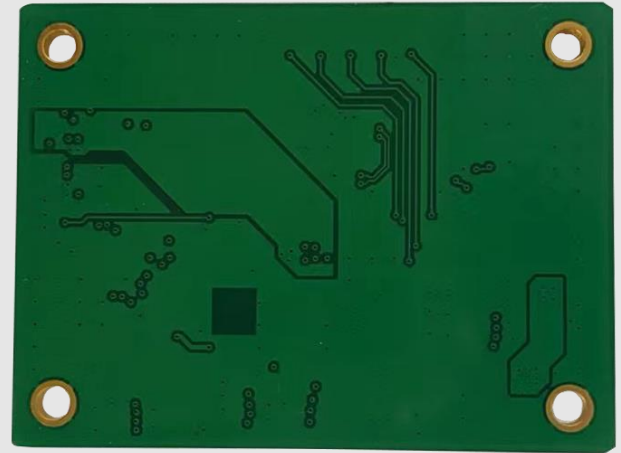
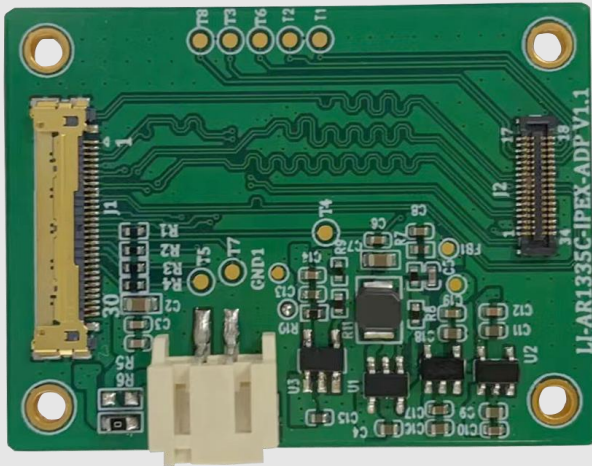
INTERFACES

Interface J7

- Part#: 20525-030E-02
- Number of Positions: 30
- Pitch: 0.4 mm
- Mating I-PEX Cable: FAW-1233



LI-AR1335C-IPEX-ADP

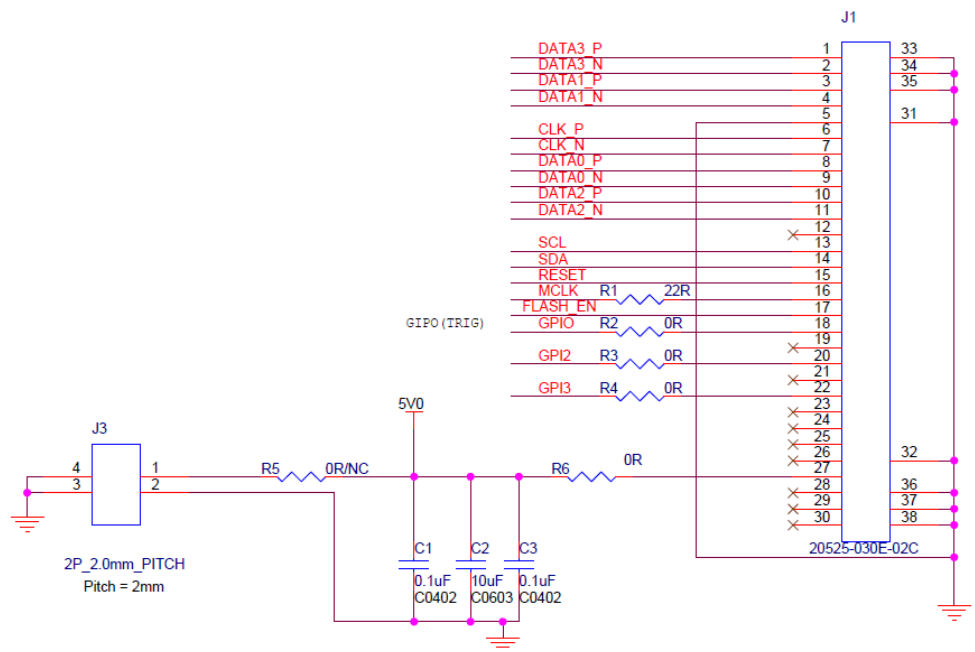


INTERFACES

Interface J1

- Part#: 20525-030E-02C
- Number of Positions: 30
- Pitch: 0.4 mm
- Mating I-PEX Cable: FAW-1233

I-PEX 0.4mm pitch connector

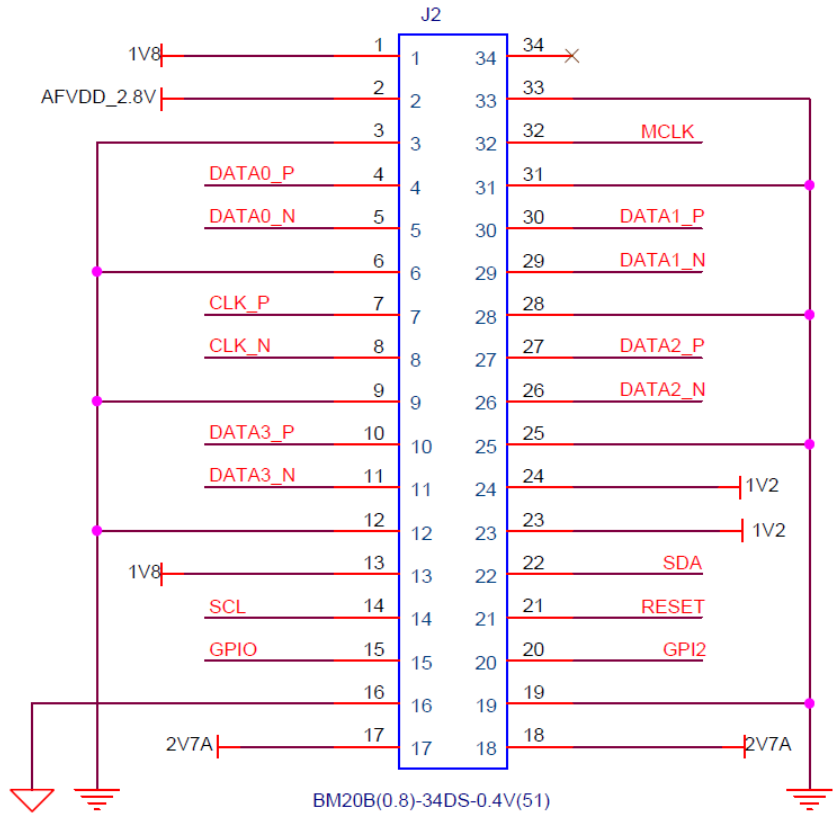


LI-AR1335C-IPEX-ADP

INTERFACES

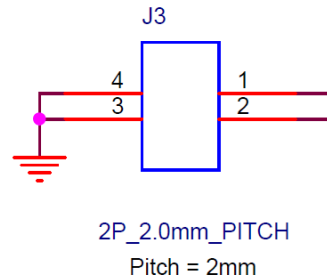
Interface J2 (To Camera)

- Part#: BM20B(0.8)-34DS-0.4V(51)
- Number of Positions: 34
- Pitch: 0.4 mm
- Mating I-PEX Cable: FAW-1233



Interface J3

- Part#: S9463-ND
- Number of Positions: 4
- Pitch: 2.0 mm



FAW-1233 Cable



MECHANICAL DIAGRAM

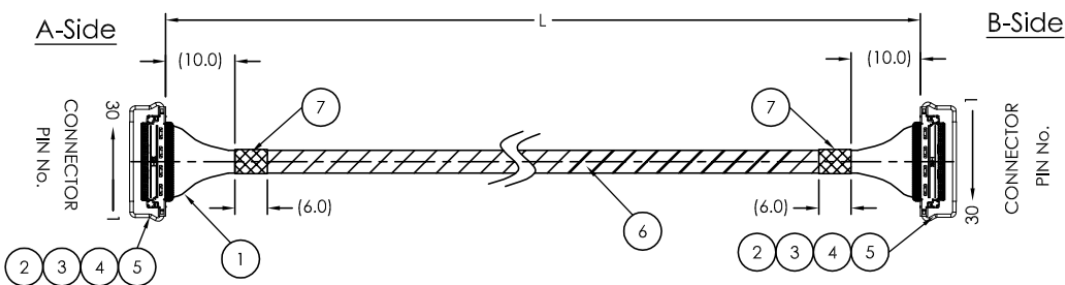
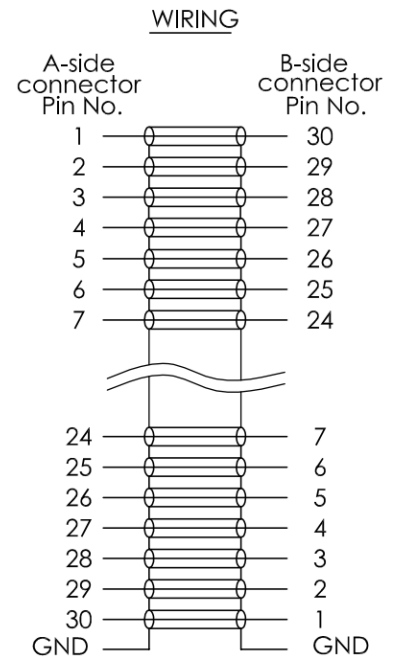


Fig. 1 Applying UV resin

WIRING



8	UV RESIN	2	LOCBOND P/N : LOCBOND 349
7	TAPE	2	CHUKOH P/N: ASF-116T
6	TAPE	1	CHUKOH P/N: SEF-110
5	FLAT COPPER WIRE	4	GROUND BAR
4	PULL BAR	2	I-PEX P/N : 2766-0301
3	SHIELD PLATE	2	I-PEX P/N : 2764-0301-002
2	CONNECTOR	2	I-PEX P/N : 20634-130T-02
1	CABLE	30	UL10231 AWG40 MCX (Z=50ohm)
ITEM	DESCRIPTION	Q'TY	REMARK

NOTE:

- Apply UV resin at the end of connector to cover cables both sides of the cable assembly (Fig.1).

Unit: mm

LI-AR1335C-MIPI-061H-AF



SPECIFICATIONS

Sensor	ON Semiconductor 13MP CMOS Digital Image Sensor AR1335 CSP
Optical Format	1/3.2"
Resolution	4208 (H) x 3120 (V) (active pixels)
Pixel Size	1.1 μm Back Side Illuminated (BSI)
Output Format	6-bit / 8-bit / 10-bit RAW data
Color / Mono	Color sensor
Maximum Frame Rate	30 fps @ 4208 x 3120
Interface	4-lane MIPI CSI-2
Part#	LI-AR1335C-MIPI-061H-AF

LENS SPECIFICATIONS

Focal Length	3.85 mm
Aperture, F/#	2.2
FOV	72.9° diagonal
	61° horizontal
	48° vertical
TV Distortion	< 1.5%
Depth of Field	10 cm ~ infinity

● REVISION HISTORY

Revision	Description	Release Date
1.0	First release.	04 Jan 2023

48820 Kato Rd, Suite 100B, Fremont, CA 94538, USA

Phone: +1-408-263-0988

Fax: +1-408-217-1960

Email: sales@leopardimaging.com

Website: www.leopardimaging.com



X-ON Electronics

Largest Supplier of Electrical and Electronic Components

Click to view similar products for [Cameras & Camera Modules](#) category:

Click to view products by [Leopard Imaging](#) manufacturer:

Other Similar products are found below :

[73-540-420I](#) [82635DSASRPRQ 951913](#) [Web Camera module 5.0M pixel FIT0729](#) [LI-USB30-OX05B1S-VCSEL-OMS-96717-200H](#) [LI-AR1335C-MIPI-097H](#) [108674](#) [LI-USB30-IMX490-GMSL2-120H](#) [LI-USB30-OV2312-GMSL2-110H](#) [LI-IMX675-MIPI-076H](#) [82635DSD456](#) [LI-IMX424-GW5400-FPDLINKIII-120H](#) [LI-AR0234CS-GMSL2-OWL](#) [5390](#) [5389](#) [106681](#) [106752](#) [107654](#) [107402](#) [1202](#) [1203](#) [AC164150](#) [2392](#) [106695](#) [106988](#) [107139](#) [107146](#) [MIPI 5MP IR AF Camera](#) [106732](#) [LI-USB30-AR023ZWDR](#) [LI-USB30-OV13850](#) [LI-OV580-STEREO](#) [LI-OV2640-USB-M6](#) [LI-OV5640-MIPI-AF-NIR](#) [82635DSASMDLPRQ](#) [106692](#) [106687](#) [106493](#) [106688](#) [106682](#) [107115](#) [106694](#) [106989](#) [107149](#) [106693](#) [106696](#) [106684](#) [106683](#) [107140](#) [106982](#)