



LI-IMX490-GMSL2-xxxH



Address:

910 Auburn Ct
Fremont, CA 94538
USA



Phone:

+1 (408)263-0988

Fax:

+1 (408)217-1960



Sales:

sales@leopardimaging.com

Support:

support@leopardimaging.com

INTRODUCTION

The LI-IMX490-GMSL2-xxxH is equipped with Sony automotive sensor IMX490 and Maxim GMSL2 serializer MAX9295A/B and is designed for automotive applications. This camera outputs RAW image data with HDR (High Dynamic Range) supported.

KEY FEATURES

Sensor	Sony Diagonal 10.36 mm (Type 1/1.55) CMOS Image Sensor IMX490
Optical Format	1/1.55"
Resolution	2897 (H) x 1877 (V) (active pixels)
Pixel Size	3.0 x 3.0 μm
Data Format	20-bit / 16-bit / 14-bit / 12-bit RAW
Color / Mono	Color sensor
Maximum Frame Rate	40 fps @ 2880 x 1860
HDR (High Dynamic Range)	Supported
LFM (LED Flicker Mitigation)	Supported
Lens	FOV H 30° / 40° / 65° / 90° / 120°
Serializer	Maxim MAX9295A/B
Power Supply Range	9 ~ 19 VDC
Connector	FAKRA Z TYPE
IP Rating	FOV H 30° / 120°: IP69K FOV H 40° / 65° / 90°: IP67
Power Consumption	102 mA @ 12 VDC (2880 x 1860 @ 19 fps)
Operating Temp	-40°C ~ +85°C
Storage Temp	-40°C ~ +85°C
Weight	~ 55 g
Part#	LI-IMX490-GMSL2-xxxH

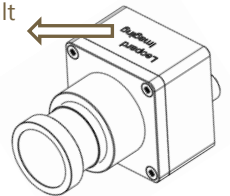
APPLICATIONS

- Automotive ADAS
- Automotive Rear View or Backup

DEFAULT IMAGING DIRECTION

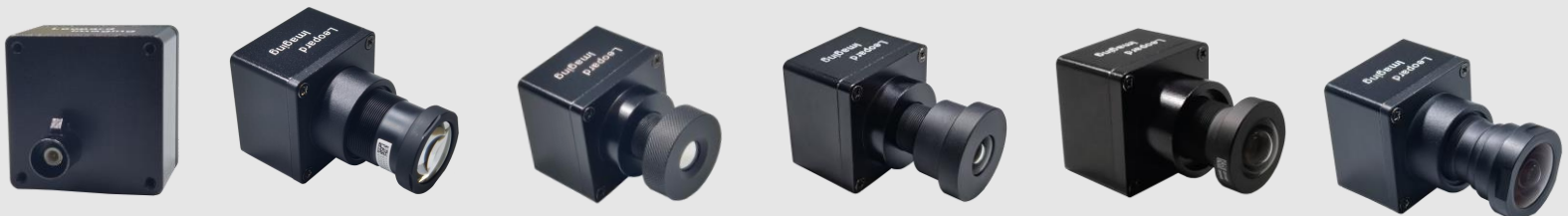
- The logo "Leopard Imaging" is on the TOP.

TOP (Default Imaging Direction)

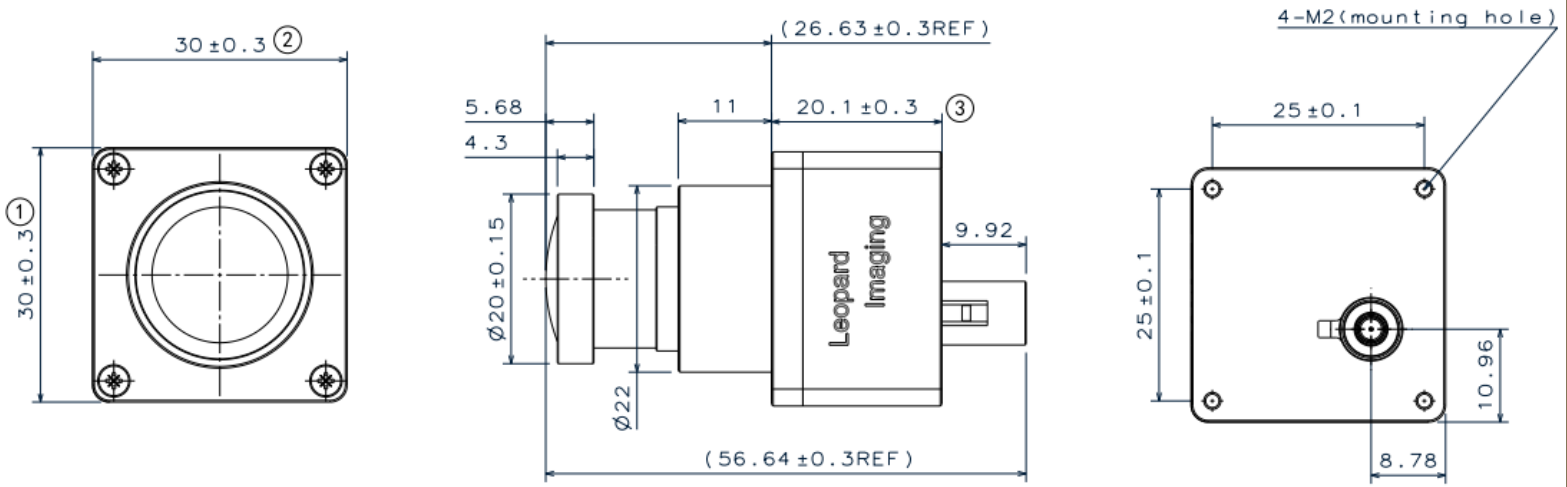


CABLE CONNECTOR

- Housing Connector: FAKRA Z Type
- Cable Length: 3 meters
- Cable Part#: FAK-SMZSMZ-3M



DIMENSIONS: LI-IMX490-GMSL2-030H

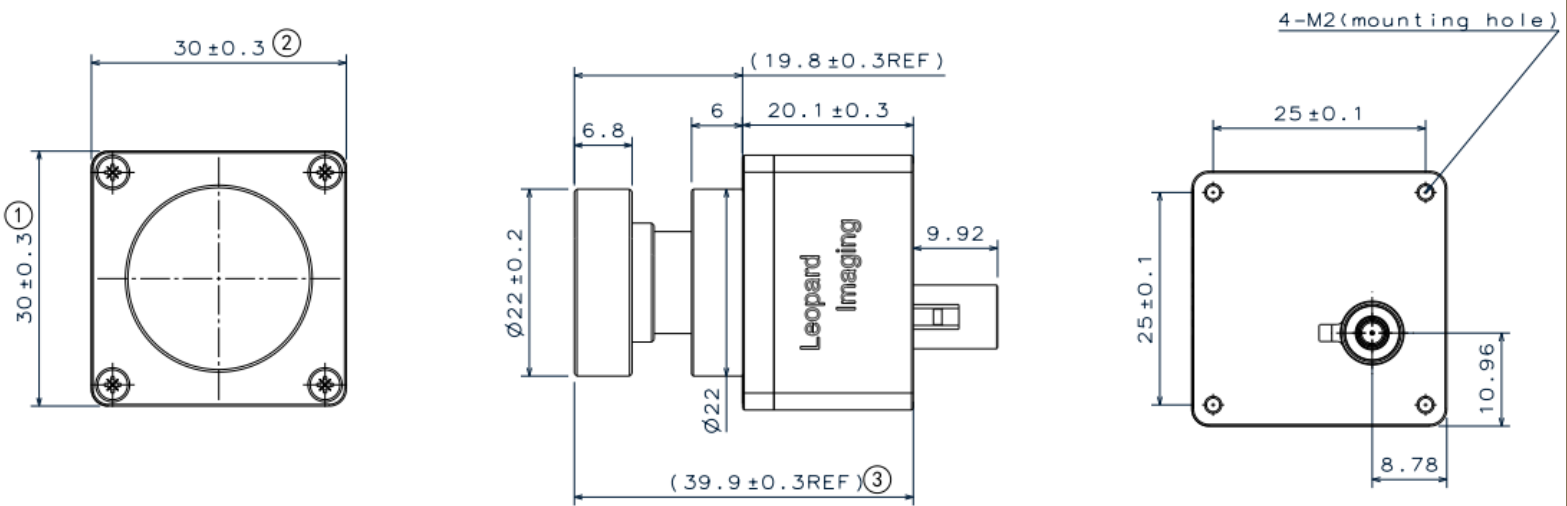


NOTE:

- \otimes marked are important sizes.
- Tolerances for others unmarked are ± 0.3 mm.

Unit: mm

DIMENSIONS: LI-IMX490-GMSL2-040H

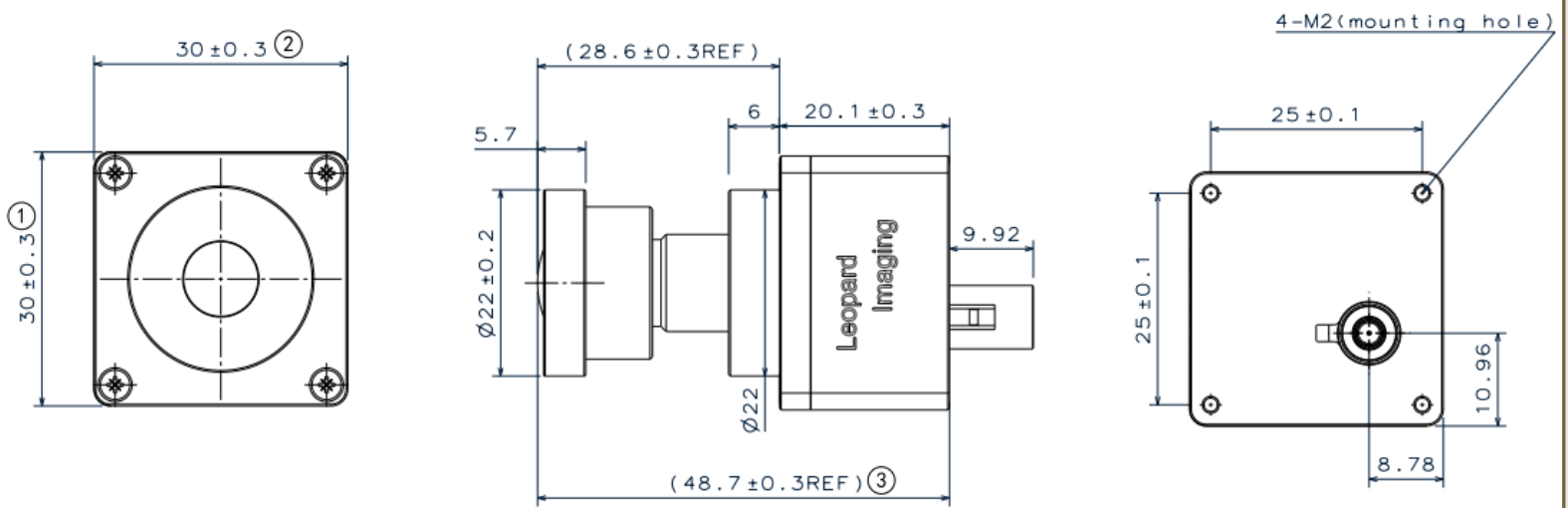


NOTE:

- \otimes marked are important sizes.
- Tolerances for others unmarked are ± 0.3 mm.

Unit: mm

DIMENSIONS: LI-IMX490-GMSL2-065H

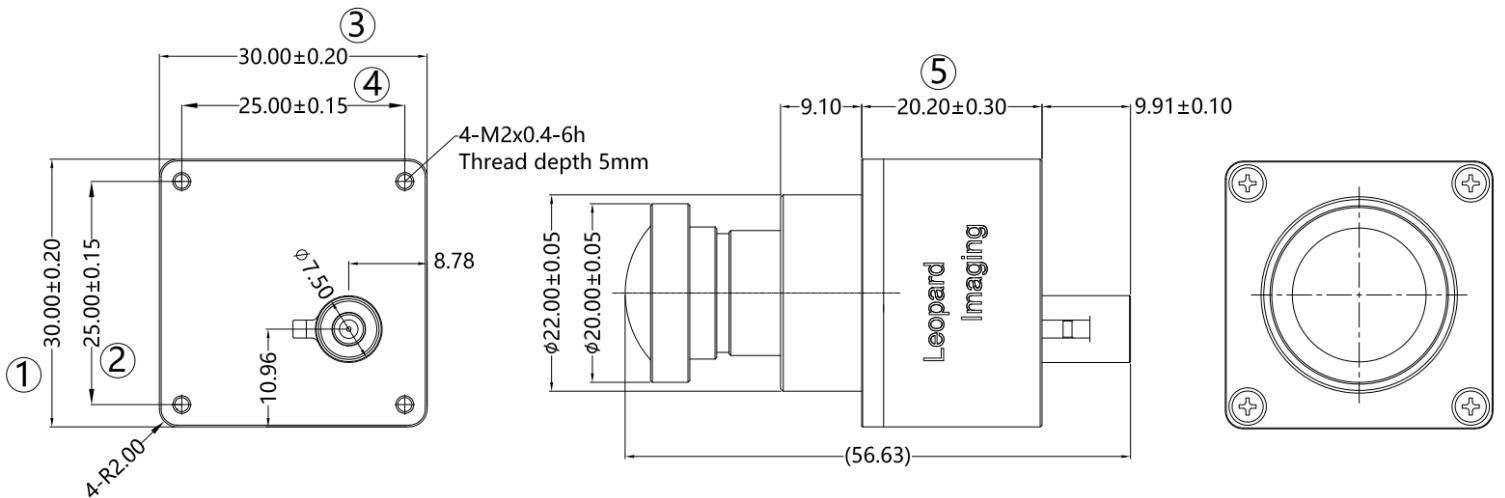


NOTE:

- \otimes marked are important sizes.
- Tolerances for others unmarked are ± 0.3 mm.

Unit: mm

DIMENSIONS: LI-IMX490-GMSL2-090H

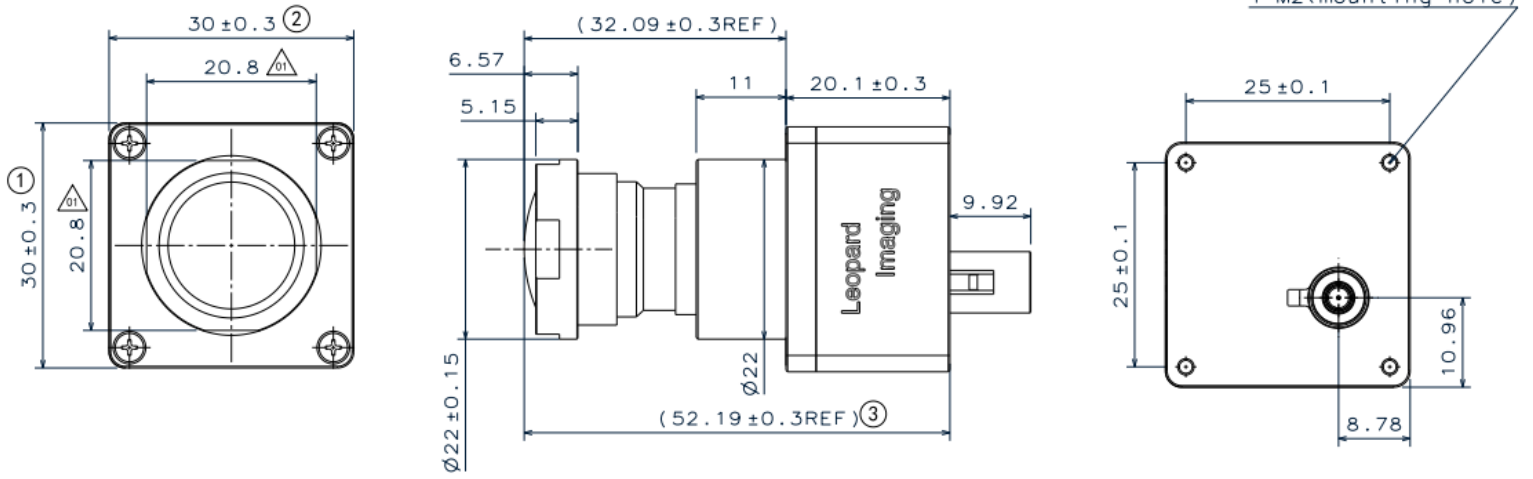


NOTE:

- \otimes marked are important sizes.
- Tolerances for others unmarked are ± 0.3 mm.

Unit: mm

DIMENSIONS: LI-IMX490-GMSL2-120H



NOTE:

- \otimes marked are important sizes.
- Tolerances for others unmarked are ± 0.3 mm.
- \triangle indicates revisions have been made.

Unit: mm

LENS SPECIFICATIONS

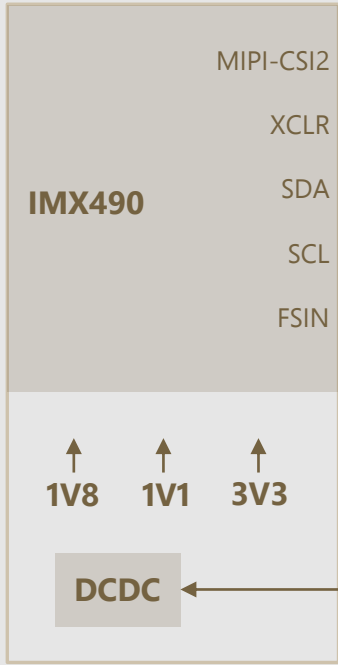
xxxH refers to 030H (FOV H 30°), 040H (FOV H 40°), 065H (FOV H 65°), 090H (FOV H 90°), 120H (FOV H 120°)

LI-IMX490-GMSL2-030H	LI-IMX490-GMSL2-040H
	
Lens EFL: 16.37 mm	Lens EFL: 11.9 mm
Aperture, F/#: 1.6	Aperture, F/#: 2.0
Field of View (FOV): 35.5° (D) / 30.0° (H) / 19.5° (V)	Field of View (FOV): 44.4° (D) / 38.0° (H) / 20.8° (V)
Mount: M17	Mount: M12

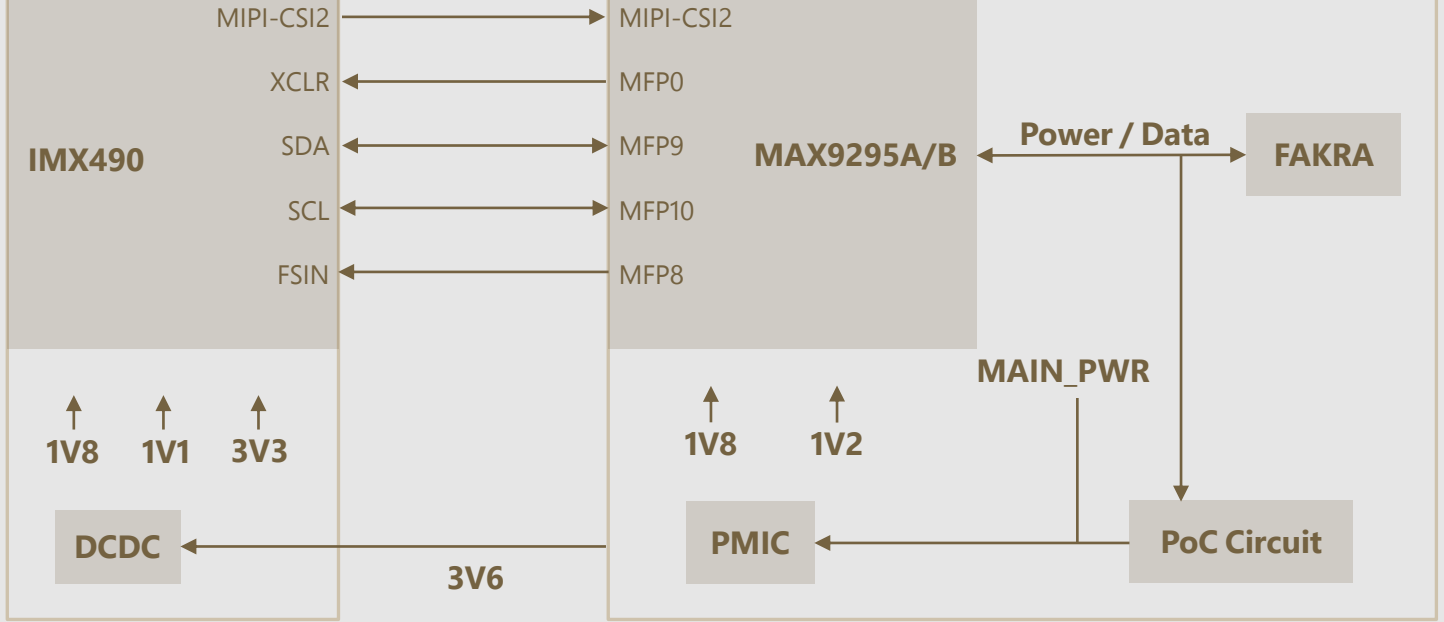
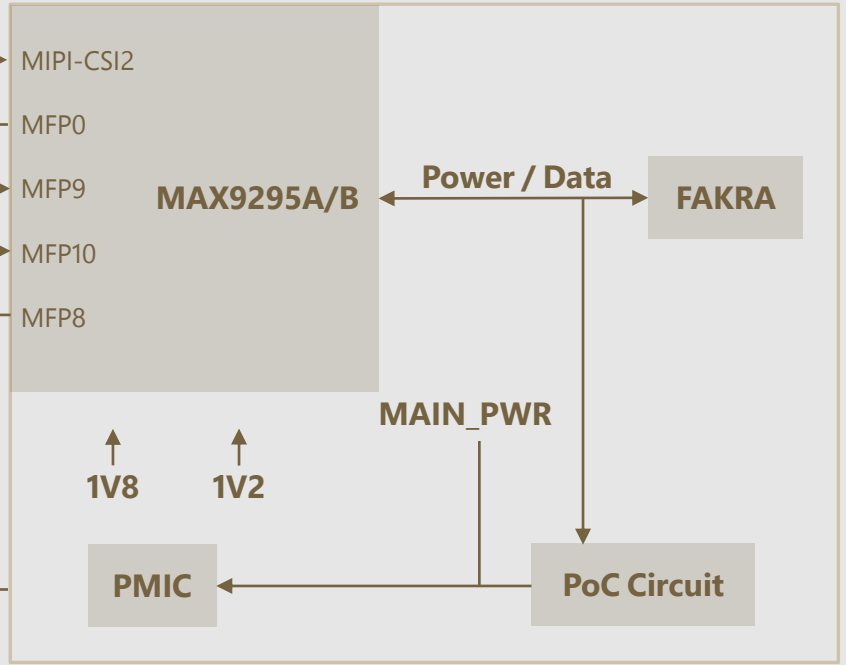
LI-IMX490-GMSL2-065H	LI-IMX490-GMSL2-090H	LI-IMX490-GMSL2-120H
		
Lens EFL: 7.9 mm	Lens EFL: 5.39 mm	Lens EFL: 4.49 mm
Aperture, F/#: 2.0	Aperture, F/#: 2.6	Aperture, F/#: 1.6
Field of View (FOV): 74.0° (D) / 65.0° (H) / 37.0° (V)	Field of View (FOV): 90° (H)	Field of View (FOV): 154.9° (D) / 120.0° (H) / 73.2° (V)
Mount: M12	Mount: M14	Mount: M16

PINOUT CONNECTIONS

(I2C: 0x1A 7-bit)

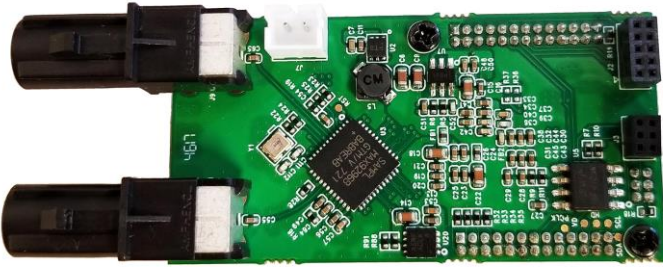


(I2C: 0xC4 8-bit)

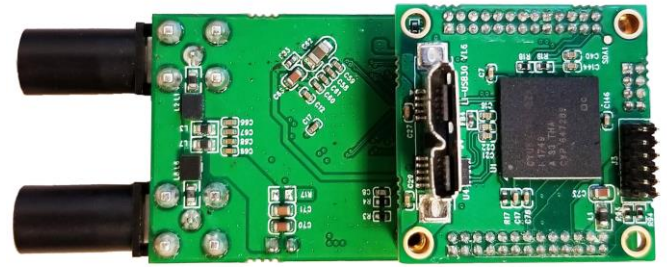


USB3.0 CAMERA KIT

LI-GMSL2-USB



Top View



Bottom View

LI-IMX490-GMSL2-xxxH can connect to LI-GMSL2-USB as a USB 3.0 camera.

Part#: **LI-USB30-IMX490-GMSL2-xxxH**

SPECIFICATIONS

- USB 3.0 Super Speed support
- RAW data output without compression
- UVC compliant
- Allows customization
- 12 VDC power supply for camera
- Weight: ~ 86 g
- Single Coax Cable transmits up to 12 meters PoC (Power over Cable)
- Resolution: 2880 x 1860 @ 19 fps
- Power consumption: 102 mA @ 12 VDC
- Compatible with Windows, Linux OS and other OS which have UVC drivers

BOM

#	Items	QTY
1	LI-IMX490-GMSL2-xxxH	1
2	LI-GMSL2-USB	1
3	3-Meter Fakra Cable	1
4	12 VDC Power Supply	1
5	USB3.0 Cable	1



12 VDC power supply for camera

SDK SUPPORTED

- Camera Tool Source Code in C#
- Capture & Display
- Register Access Function
- Save file as BMP & RAW format

REVISION HISTORY

Revision	Description	Release Date
1.0	First release.	20 Aug 2019
1.1	Added DSL492 lens and updated the resolution to full size.	26 Aug 2019
1.2	Added 030H lens.	02 Aug 2019
1.3	Changed CAR-53 lens to CAR-55.	02 Jun 2021
1.4	Replaced CAR-36 with CAR-56 and updated 2D dimensions, power consumption, frame rate, resolution, and storage temp.	26 Nov 2021
1.5	Updated 090H lens.	04 Jan 2023
1.6	Deleted HDR function on the USB30 page.	07 Apr 2023
1.7	Updated IP rating of 090H lens.	19 Jun 2023

910 Auburn Ct, Fremont, CA 94538, USA

Phone: +1-408-263-0988

Fax: +1-408-217-1960

Email: sales@leopardimaging.com

Website: www.leopardimaging.com



X-ON Electronics

Largest Supplier of Electrical and Electronic Components

Click to view similar products for [Cameras & Camera Modules](#) category:

Click to view products by [Leopard Imaging](#) manufacturer:

Other Similar products are found below :

[73-540-420I](#) [82635DSASRPRQ 951913](#) [Web Camera module 5.0M pixel FIT0729](#) [LI-USB30-OX05B1S-VCSEL-OMS-96717-200H](#) [LI-AR1335C-MIPI-097H](#) [108674](#) [LI-USB30-IMX490-GMSL2-120H](#) [LI-USB30-OV2312-GMSL2-110H](#) [LI-IMX675-MIPI-076H](#) [82635DSD456](#) [LI-IMX424-GW5400-FPDLINKIII-120H](#) [LI-AR0234CS-GMSL2-OWL](#) [5390](#) [5389](#) [106681](#) [106752](#) [107654](#) [107402](#) [1202](#) [1203](#) [AC164150](#) [2392](#) [106695](#) [106988](#) [107139](#) [107146](#) [MIPI 5MP IR AF Camera](#) [106732](#) [LI-USB30-AR023ZWDR](#) [LI-USB30-OV13850](#) [LI-OV580-STEREO](#) [LI-OV2640-USB-M6](#) [LI-OV5640-MIPI-AF-NIR](#) [82635DSASMDLPRQ](#) [106692](#) [106687](#) [106493](#) [106688](#) [106682](#) [107115](#) [106694](#) [106989](#) [107149](#) [106693](#) [106696](#) [106684](#) [106683](#) [107140](#) [106982](#)