



LEOPARD IMAGING INC

Rev. 1.2

# LI-USB30-MIPI-TESTER

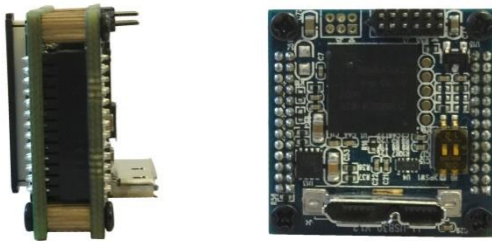
## Data Sheet

### Key Features

- USB 3.0 Super Speed support
- UVC compliance
- 3 MIPI interfaces
- Provide customization services
- USB +5VDC powered device
- Compact Size: 26mmx26mmx19mm
- 2 Boards are stacked
- Weight: 10 g
- Part#: **LI-USB30-MIPI-TESTER**



### MIPI Interfaces

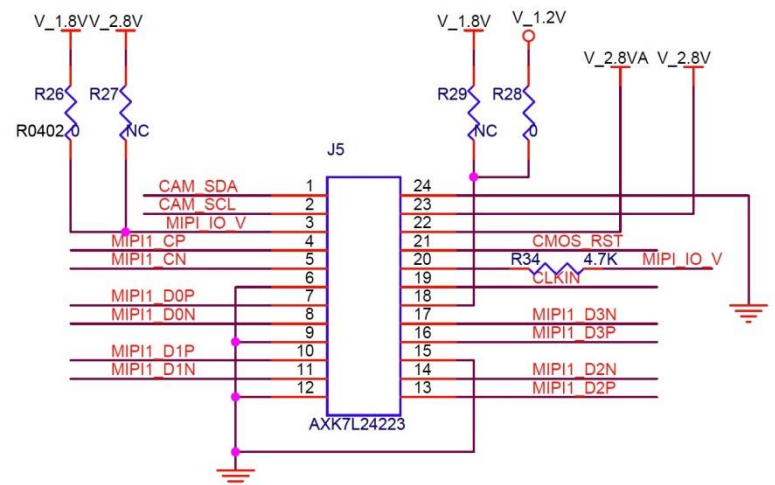


### Interface J5

- Part#: AXK7L24223
- Number of Positions: 24
- Pitch: 0.4 mm

### SDK Supported

- Camera Tool Source Code in C#
- Capture & Display
- OpenCV supported through Emgu
- RAW to RGB Conversion
- Save file as BMP & RAW format

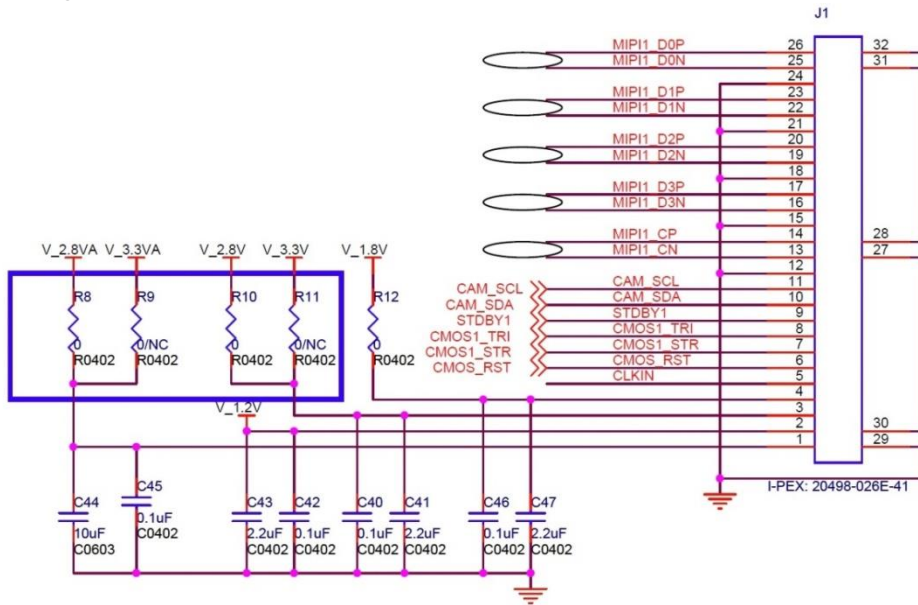


Leopard Imaging Inc.

1130 Cadillac Ct., Milpitas, CA 95035, USA  
 Phone: +1-408-263-0988  
 Fax: +1-408-217-1960  
 Email: sales@leopardimaging.com  
 Website: www.leopardimaging.com  
 www.leopard-security.com

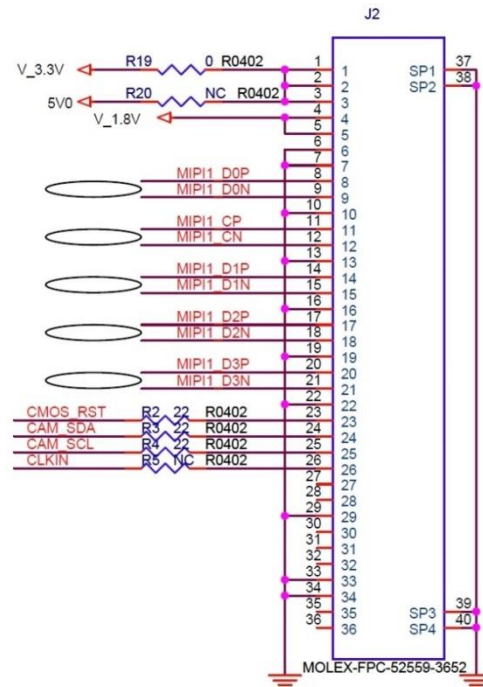
## Interface J1

- Part#: 20498-026E-41
- Number of Positions: 26
- Shell Plating: Sn
- Vacuum Clip: With
- Mating I-PEX cable: LI-FAW-1212-T1 (200mm)



## Interface J2

- Part#: 0525593652
- Number of Positions: 36
- Pitch: 0.020" (0.50mm)
- FFC, FCB Thickness: 0.30mm
- Mating Flex cable: LI-FLEX03 (60mm)



Leopard Imaging Inc.

1130 Cadillac Ct., Milpitas, CA 95035, USA  
 Phone: +1-408-263-0988  
 Fax: +1-408-217-1960  
 Email: sales@leopardimaging.com  
 Website: www.leopardimaging.com  
 www.leopard-security.com

## Interface J5

J5 of LI-USB30-MIPI-TESTER supports below modules:

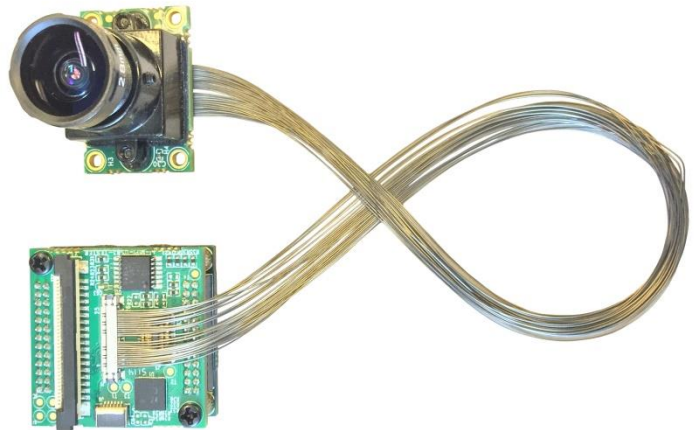
1. LI-OV8865-MIPI-AF
2. LI-OV13850-MIPI-AF
3. LI-OV2685-MIPI-AF



## Interface J1

J1 of LI-USB30-MIPI-TESTER supports below modules:

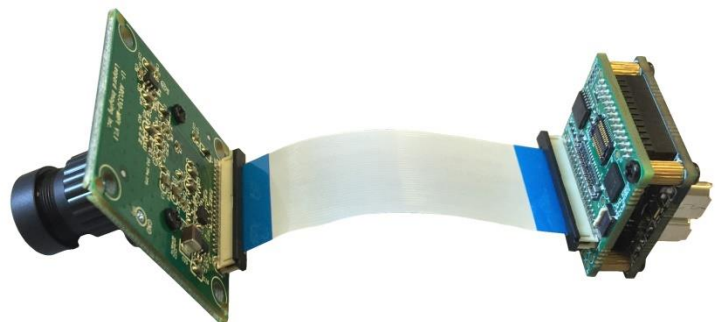
1. LI-OV4689-MIPI
2. LI-V024M-MIPI
3. LI-M021C-MIPI
4. LI-M021M-MIPI



## Interface J2

J2 of LI-USB30-MIPI-TESTER supports below modules:

1. LI-CAM-AR0330-MIPI
2. LI-CAM-IMX224-MIPI
3. LI-CAM-OV10640-MIPI



## X-ON Electronics

Largest Supplier of Electrical and Electronic Components

*Click to view similar products for [Interface Development Tools](#) category:*

*Click to view products by [Leopard Imaging](#) manufacturer:*

Other Similar products are found below :

[ADP5585CP-EVALZ](#) [CHA2066-99F](#) [AS8650-DB](#) [MLX80104 TESTINTERFACE](#) [416100120-3](#) [XR18910ILEVB](#) [XR21B1421IL28-0A-EVB](#) [TW-DONGLE-USB](#) [EVAL-ADM2491EEBZ](#) [MAXREFDES23DB#](#) [MAX13235EEVKIT](#) [DFR0257](#) [XR22404CG28EVB](#) [ZLR964122L](#) [ZLR88822L](#) [EVK-U23-01S](#) [EVK-W262U-00](#) [DC327A](#) [PIM511](#) [PIM536](#) [PIM517](#) [DEV-17512](#) [STR-FUSB3307MPX-PPS-GEVK](#) [MAXREFDES177#](#) [EVAL-ADM2567EEBZ](#) [ZSSC3240KIT](#) [MAX9121EVKIT](#) [PIM532](#) [ZSC31010KITV2P1](#) [UMFT4233HPEV](#) [LVDS-18B-EVK](#) [XR20M1172G28-0B-EB](#) [SI871XSOIC8-KIT](#) [1764](#) [1833](#) [1862](#) [EVB-USB82514](#) [ATA6628-EK](#) [ATA6631-EK](#) [EVAL-CN0313-SDPZ](#) [2264](#) [MCP23X17EV](#) [PS081-EVA-HR MODULE](#) [237](#) [SMA2RJ45EVK/NOPB](#) [FR12-0002](#) [MAFR-000455-001](#) [BOB-13263](#) [ORG4572-R01-UAR](#) [CPC5622-EVAL-600R](#)