



LEOPARD IMAGING INC

LI-OV2312-GMSL2-xxxH

Data Sheet

Key Features

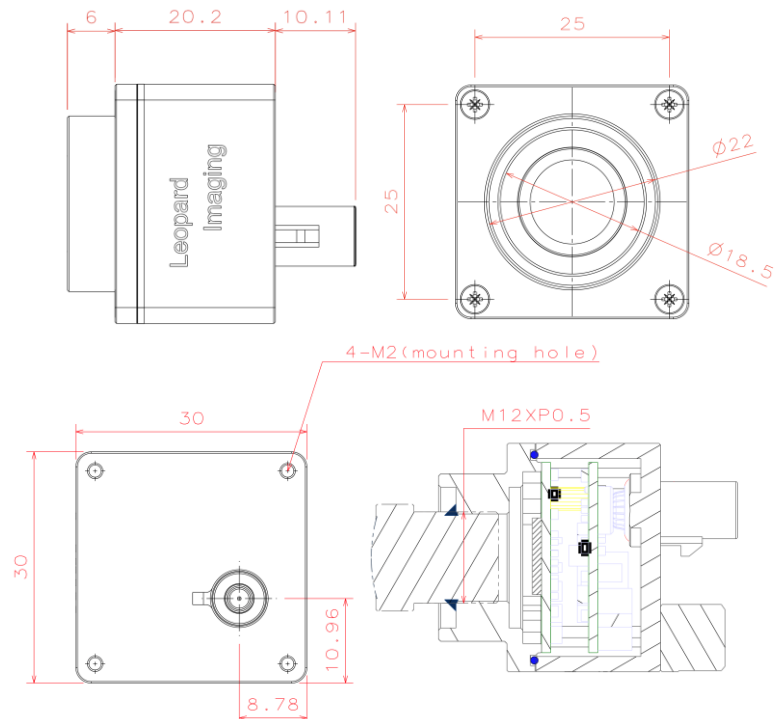
- OmniVision CMOS 2M RGB-IR Image Sensor OV2312
- Optical Format: 1/2.9"
- Resolution: 1600 (H) x 1300 (V)
- Pixel Size: 3.0 x 3.0 μm
- Support global shutter
- RGB-IR sensor
- Output 10-bit Raw data
- Support 9 ~ 19V Power
- Lens: HFOV 110°
- GMSL2 Serializer
- Connector: FAKRA Z TYPE
- Water Proof: IPX9K
- Operating Temp: -40 ~ 85 °C
- Storage Temp: -40 ~ 125 °C
- Size: 30 (L) x 30 (W) x 29.2 (D) mm
- Weight: ~ 45 g
- Part#: **LI-OV2312-GMSL2-xxxH**



Application

- In-Cabin Monitoring
- Driver Monitoring System (DMS)
- Video Conferencing

Dimensions

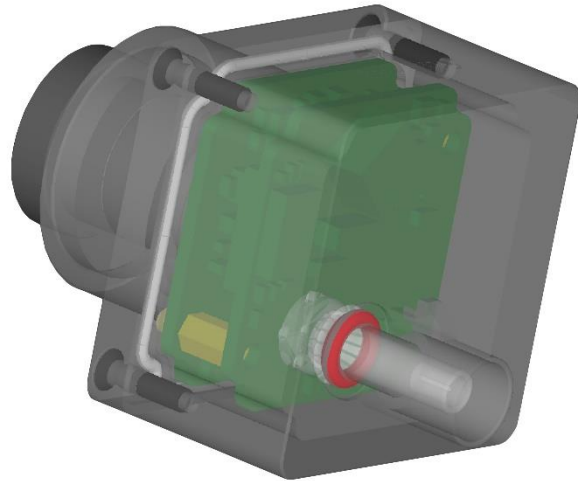


Leopard Imaging Inc.

48820 Kato Rd, Suite 100B, Fremont, CA 94538, USA
Phone: +1-408-263-0988
Fax: +1-408-217-1960
Email: sales@leopardimaging.com
Website: www.leopardimaging.com

Water Proof

- Metal Housing
- Water-proof M12 lens
- Sealed Gasket (White)
- Sealed O-ring (Red)



Cable Connector

- Housing Connector- FAKRA Z Type
- Cable length: 3 meters
Support single Coax Cable transmit up to 12 meters
- Cable Part#: FAK-SMZSMZ-3M
- FAKRA type connectors



Leopard Imaging Inc.

48820 Kato Rd, Suite 100B, Fremont, CA 94538, USA
Phone: +1-408-263-0988
Fax: +1-408-217-1960
Email: sales@leopardimaging.com
Website: www.leopardimaging.com

Ordering Information

Part#: LI-OV2312-GMSL2-xxxH

Note:

xxxH - 110H: FOV H 110°



Leopard Imaging Inc.

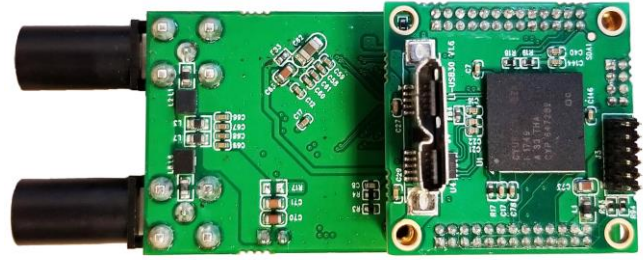
48820 Kato Rd, Suite 100B, Fremont, CA 94538, USA
Phone: +1-408-263-0988
Fax: +1-408-217-1960
Email: sales@leopardimaging.com
Website: www.leopardimaging.com

LI-GMSL2-DESER



Front View

LI-USB30-CNTL



Back View

LI-OV2312-GMSL2-xxxH can connect to USB 3.0 Tester as a USB 3.0 camera.

Part#: **LI-USB30-OV2312-GMSL2-xxxH**

Key Features

- USB 3.0 Super Speed support
- RAW data output without compression
- UVC compliance
- Provide customization services
- 12 VDC Power Supply
- Weight: ~ 86 g
- Single Coax Cable transmit up to 12 meter PoC (Power over Cable)
- Support 1600 x 1300 @ 30 fps
- Power consumption: TBD
- Support Windows, Linux OS and other OS which include the UVC drivers.

SDK Supported

- Camera Tool Source Code in C#
- Capture & Display
- Save file as BMP & RAW format
- Register access function



Revision History

Revision	Description	Release Date
1.0	First release.	9 Jul 2020
1.1	Change the HFOV 104° lens to 110° lens.	7 Mar 2021



X-ON Electronics

Largest Supplier of Electrical and Electronic Components

Click to view similar products for [Cameras & Camera Modules](#) category:

Click to view products by [Leopard Imaging](#) manufacturer:

Other Similar products are found below :

[73-540-420I](#) [82635DSASRPRQ 951913](#) [Web Camera module 5.0M pixel FIT0729](#) [LI-USB30-OX05B1S-VCSEL-OMS-96717-200H](#) [LI-AR1335C-MIPI-097H](#) [108674](#) [LI-USB30-IMX490-GMSL2-120H](#) [LI-USB30-OV2312-GMSL2-110H](#) [LI-IMX675-MIPI-076H](#) [82635DSD456](#) [LI-IMX424-GW5400-FPDLINKIII-120H](#) [LI-AR0234CS-GMSL2-OWL](#) [5390](#) [5389](#) [106681](#) [106752](#) [107654](#) [107402](#) [1202](#) [1203](#) [AC164150](#) [2392](#) [106695](#) [106988](#) [107139](#) [107146](#) [MIPI 5MP IR AF Camera](#) [106732](#) [LI-USB30-AR023ZWDR](#) [LI-USB30-OV13850](#) [LI-OV580-STEREO](#) [LI-OV2640-USB-M6](#) [LI-OV5640-MIPI-AF-NIR](#) [82635DSASMDLPRQ](#) [106692](#) [106687](#) [106493](#) [106688](#) [106682](#) [107115](#) [106694](#) [106989](#) [107149](#) [106693](#) [106696](#) [106684](#) [106683](#) [107140](#) [106982](#)