



LI-VENUS-OX03F10-9295-075H



Address:

910 Auburn Ct
Fremont, CA 94538
USA



Phone:

+1 (408)263-0988

Fax:

+1 (408)217-1960



Sales:

sales@leopardimaging.com

Support:

support@leopardimaging.com

INTRODUCTION

The LI-VENUS-OX03F10-9295-075H is equipped with OmniVision CMOS high-definition high dynamic range CMOS sensor OX03F10 and Maxim GMSL2 serializer MAX9295A/B. This camera outputs 12-bit / 14-bit / 16-bit / 20-bit RAW data.

SPECIFICATIONS

Sensor	OmniVision high-definition high dynamic range sensor OX03F10
Optical Format	1/2.44"
Resolution	1920 (H) x 1536 (V) (active pixels)
Pixel Size	3.0 x 3.0 μm
Output Format	12-bit / 14-bit / 16-bit / 20-bit RAW
Color / Mono	Color sensor
Maximum Frame Rate	60 fps @ 1920 x 1536
HDR (High Dynamic Range)	Supported
LFM (LED Flicker Mitigation)	Supported
Serializer	Maxim MAX9295A/B
IP Rating	IP67
Power Supply Range	8 ~ 17 VDC
Connector	FAKRA Z TYPE
Power Consumption	87 mA @ 12 VDC (1920 x 1542 @ 38 fps)
Operating Temp	-40°C ~ +85°C
Storage Temp	-40°C ~ +85°C
Weight	~ 39 g
Part#	LI-VENUS-OX03F10-9295-075H

APPLICATIONS

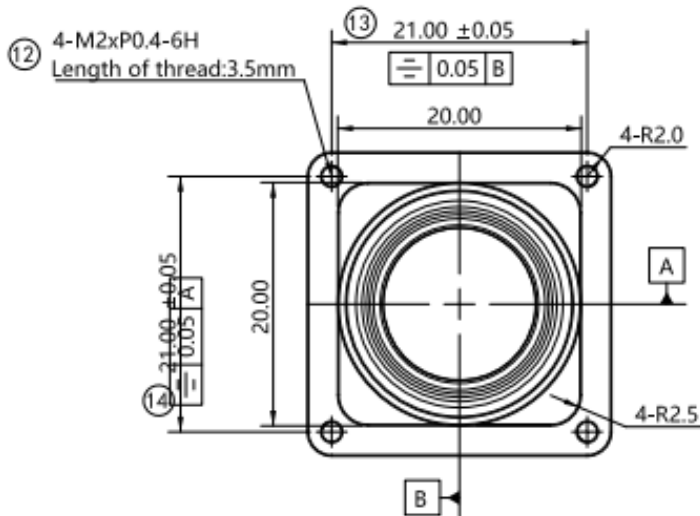
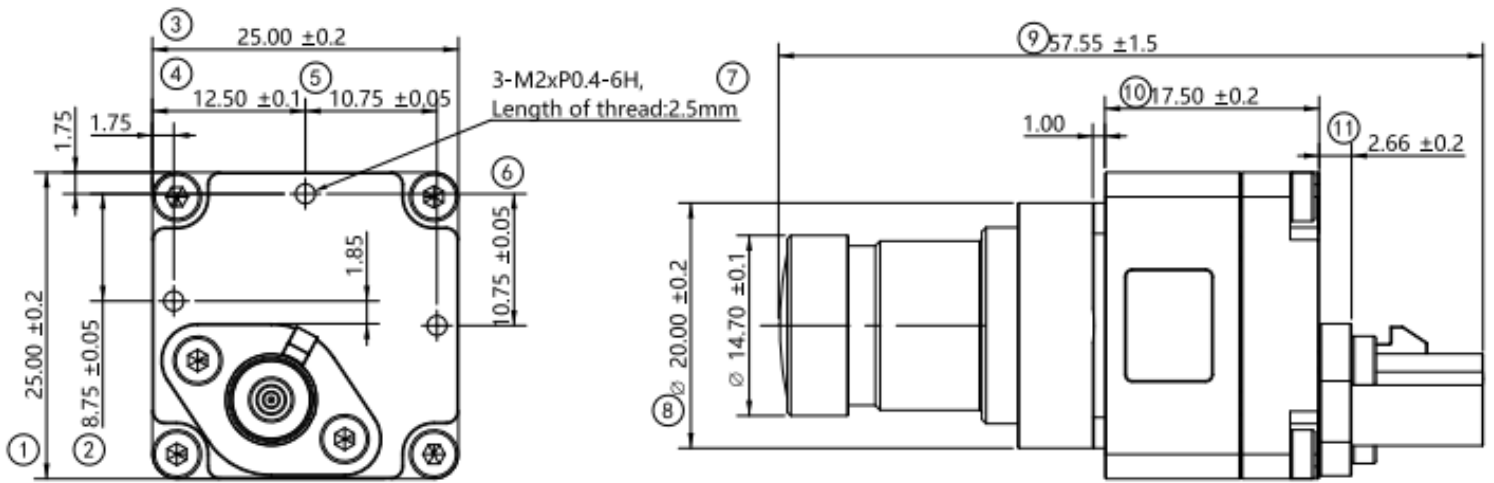
- Automotive
 - ◆ SVS
 - ◆ Rear View Camera
 - ◆ Autonomous Driving

LENS SPECIFICATIONS

Effective Focal Length	4.528 mm \pm 5%
Aperture, F/#	1.8 \pm 5%
Field of View (FOV)	99.3° \pm 4° diagonal
	75.4° \pm 3° horizontal
	59.5° \pm 3° vertical
Distortion	-30.85% \pm 5.0 %
Relative Illumination	93.34%
IR Filter	700 nm IR cut filter
Lens Mount	M16 x P0.5



DIMENSIONS



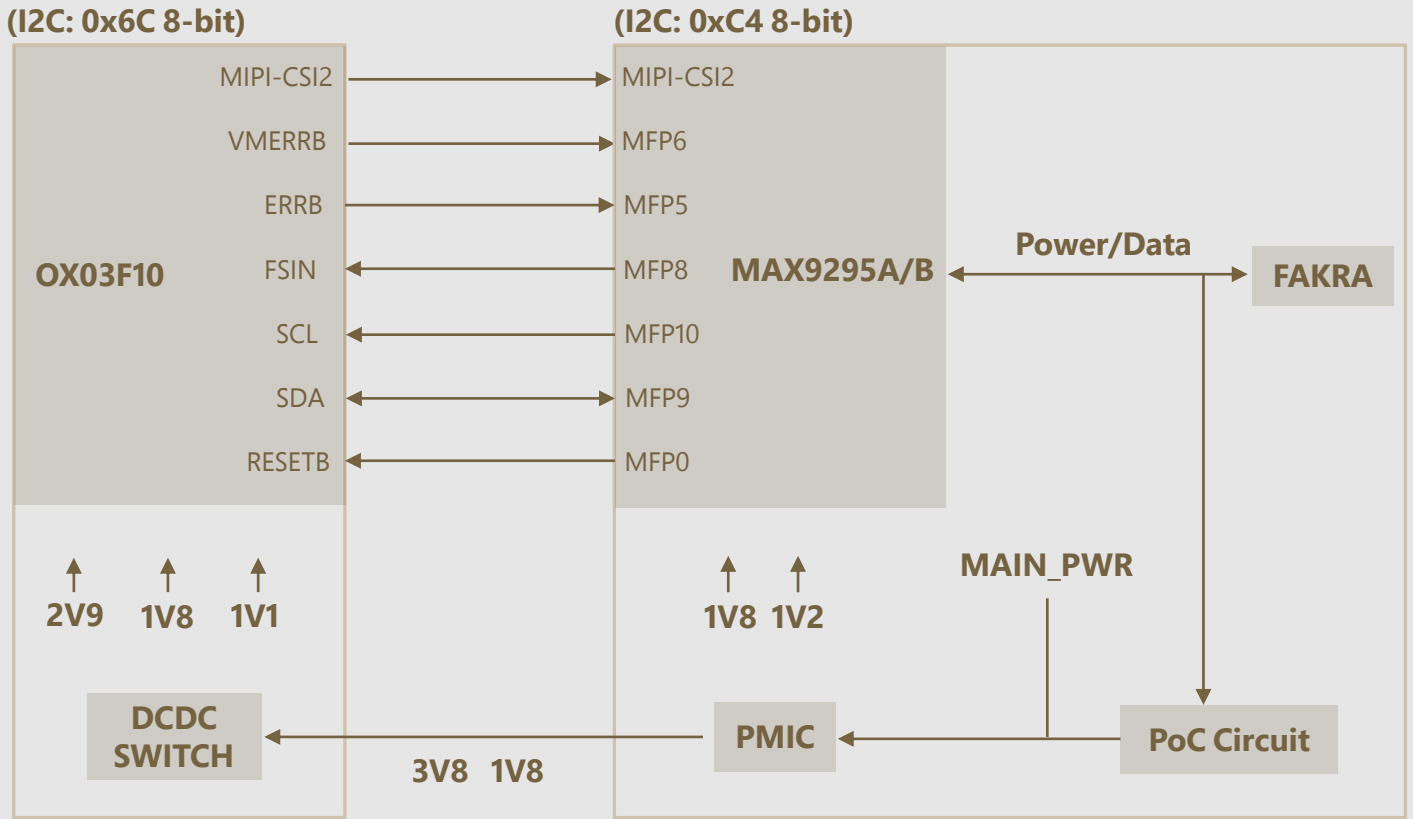
TOLERANCE TABLE		
Size X (mm)	Tolerance (mm)	Angle Tolerance (°)
$0.5 < X \leq 3$	$\pm 0.1\text{mm}$	$\pm 0.05^\circ$
$3 < X \leq 6$	$\pm 0.1\text{mm}$	$\pm 0.05^\circ$
$6 < X \leq 30$	$\pm 0.2\text{mm}$	$\pm 0.05^\circ$
$30 < X \leq 120$	$\pm 0.3\text{mm}$	$\pm 0.05^\circ$
$120 < X \leq 400$	$\pm 0.5\text{mm}$	$\pm 0.1^\circ$
$400 < X \leq 1000$	$\pm 0.8\text{mm}$	$\pm 0.1^\circ$
$X > 1000$	$\pm 1.2\text{mm}$	$\pm 0.1^\circ$

NOTE:

- ⊗ marked are important sizes.
- Tolerances for others unmarked refer to the Tolerance table.

Unit: mm

SYSTEM BLOCK DIAGRAM



DEFAULT IMAGING DIRECTION

- The logo "Leopard Imaging" is on the TOP.

TOP (Default Imaging Direction)

USB3.0 CAMERA KIT

LI-GMSL2-USB



Top View



Bottom View

LI-VENUS-OX03F10-9295-075H can connect to LI-GMSL2-USB as a USB 3.0 camera.

Part#: **LI-USB30-VENUS-OX03F10-9295-075H**

SPECIFICATIONS

- USB 3.0 Super Speed support
- UVC compliant
- Allows customization
- 12 VDC Power Supply for camera
- Weight: ~ 106 g
- Single Coax Cable transmits up to 12 meters PoC (Power over Cable)
- Resolution: 1920 x 1542 @ 38 fps
- Power consumption: 87 mA @ 12 VDC
- Compatible with Windows, Linux OS and other OS which have UVC drivers

BOM

#	Items	QTY
1	LI-VENUS-OX03F10-9295-075H	1
2	LI-GMSL2-USB	1
3	FAK-SMZSMZ-3M Cable	1
4	12 VDC Power Supply	1
5	USB3.0 Cable	1



12 VDC power supply for camera

SDK SUPPORTED

- Camera Tool Source Code in C#
- Capture & Display
- Register Access Function

● REVISION HISTORY

Revision	Description	Release Date
1.0	First release.	25 Apr 2023

910 Auburn Ct, Fremont, CA 94538, USA
Phone: +1 (408)263-0988
Fax: +1 (408)217-1960
Email: sales@leopardimaging.com
Website: www.leopardimaging.com



X-ON Electronics

Largest Supplier of Electrical and Electronic Components

Click to view similar products for [Cameras & Camera Modules](#) category:

Click to view products by [Leopard Imaging](#) manufacturer:

Other Similar products are found below :

[73-540-420I](#) [82635DSASRPRQ 951913](#) [Web Camera module 5.0M pixel FIT0729](#) [LI-USB30-OX05B1S-VCSEL-OMS-96717-200H](#) [LI-AR1335C-MIPI-097H](#) [108674](#) [LI-USB30-IMX490-GMSL2-120H](#) [LI-USB30-OV2312-GMSL2-110H](#) [LI-IMX675-MIPI-076H](#) [82635DSD456](#) [LI-IMX424-GW5400-FPDLINKIII-120H](#) [LI-AR0234CS-GMSL2-OWL](#) [5390](#) [5389](#) [106681](#) [106752](#) [107654](#) [107402](#) [1202](#) [1203](#) [AC164150](#) [2392](#) [106695](#) [106988](#) [107139](#) [107146](#) [MIPI 5MP IR AF Camera](#) [106732](#) [LI-USB30-AR023ZWDR](#) [LI-USB30-OV13850](#) [LI-OV580-STEREO](#) [LI-OV2640-USB-M6](#) [LI-OV5640-MIPI-AF-NIR](#) [82635DSASMDLPRQ](#) [106692](#) [106687](#) [106493](#) [106688](#) [106682](#) [107115](#) [106694](#) [106989](#) [107149](#) [106693](#) [106696](#) [106684](#) [106683](#) [107140](#) [106982](#)