

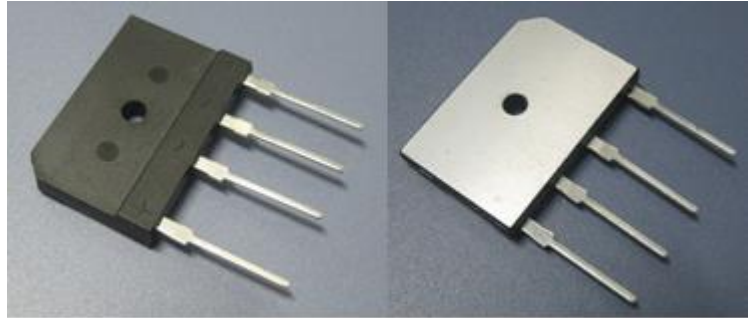
LD35SB10 Thru LD35SB120

High Current Glass Passivated Molding Single-Phase Bridge Rectifier

Reverse Voltage 100 to 1000V Forward Current 35 A

FEATURES

- Plastic Package has Underwriters Laboratory Flammability Classification 94V-0
- High current capacity with small package
- Glass passivated chip junctions
- ESD HBM Classification 3A
- Superior thermal conductivity
- High IFSM



1. Maximum & Thermal Characteristics Ratings at 25°C ambient temperature unless otherwise specified.

| Parameter Symbol | Symbol | LD35S | LD35S | LD535 | LD35S | LD35S | LD35SB | LD35SB | Unit |
|---|---|--|-------|-------|-------|-------|--------|--------|-------|
| | | B10 | B20 | SB40 | B60 | B80 | 100 | 120 | |
| Maximum repetitive voltage | VRRM | 100 | 200 | 400 | 600 | 800 | 1000 | 1200 | V |
| Maximum RMS Voltage | VRMS | 70 | 140 | 280 | 420 | 560 | 700 | 840 | V |
| Maximum DC Blocking Voltage | VDC | 100 | 200 | 400 | 600 | 800 | 1000 | 1200 | V |
| Maximum DC reverse current TA=25 °C | IR | 10 | | | | | | | μA |
| at rated DC blocking voltage TA=125°C | | 500 | | | | | | | |
| Maximum average forward rectified output current at | With heatsink Tc=100°C ⁽¹⁾ | 35 | | | | | | | A |
| | Without heatsink Ta=25°C ⁽²⁾ | 10 | | | | | | | A |
| Peak forward surge current 8.3ms single half sine-wave superimposed on rated load | IFSM | 400 | | | | | | | A |
| Rating of fusing (t<8.3ms) | I ² t | 660 | | | | | | | A2sec |
| Dielectric strength terminals to case, AC 1 minute Current 1mA | Vdia | 2.5 | | | | | | | KV |
| Max instantaneous forward voltage at 17.5A | VF | 1.05 | | | | | | | V |
| Operating junction temperature | TJ | -55~150 | | | | | | | °C |
| Maximum thermal on P.C.B. without heat-sink | R _{θJA} | 15 | | | | | | | °C/W |
| resistance per leg on Al plate heat-sink ⁽³⁾ | R _{θJC} | 0.75 | | | | | | | |
| Storage temperature | Tstg | -55~150 | | | | | | | °C |
| Mounting torque | Tor | Rating Torque : 0.8 (Suggests 0.45~0.65) | | | | | | | N.m |

Notes:

- (1) Unit case mounted on aluminum plate heatsink
(2) Units mounted on P.C.B. without heatsink

LD35SB10 Thru LD35SB120

2. Ratings and Characteristic Curves (TA = 25°C unless otherwise noted)

Fig. 1 Derating Curve

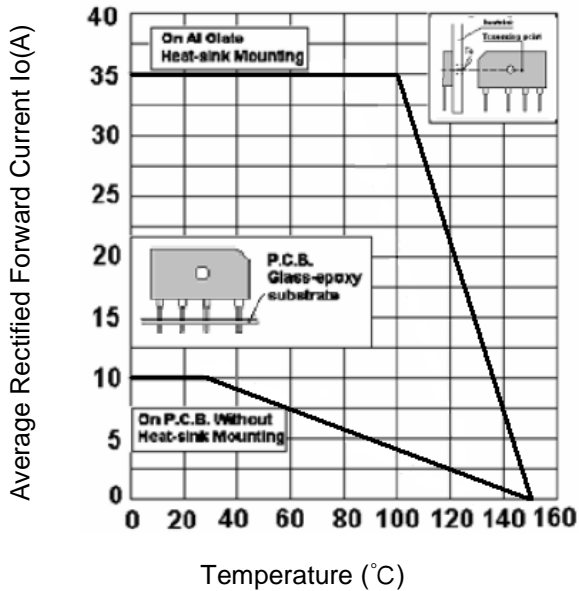


Fig.2 Typical Reverse Characteristics

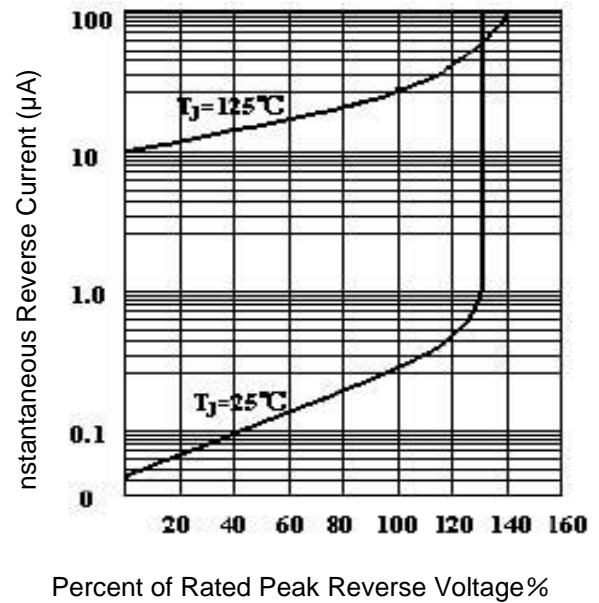


Fig.3 Forward Voltage

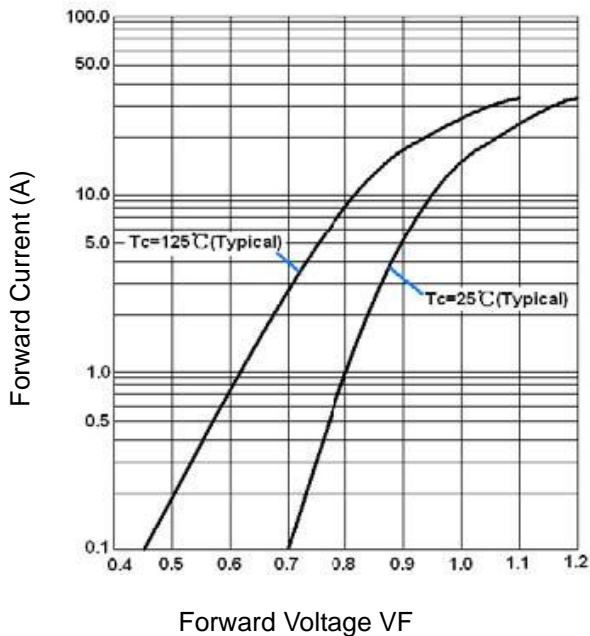
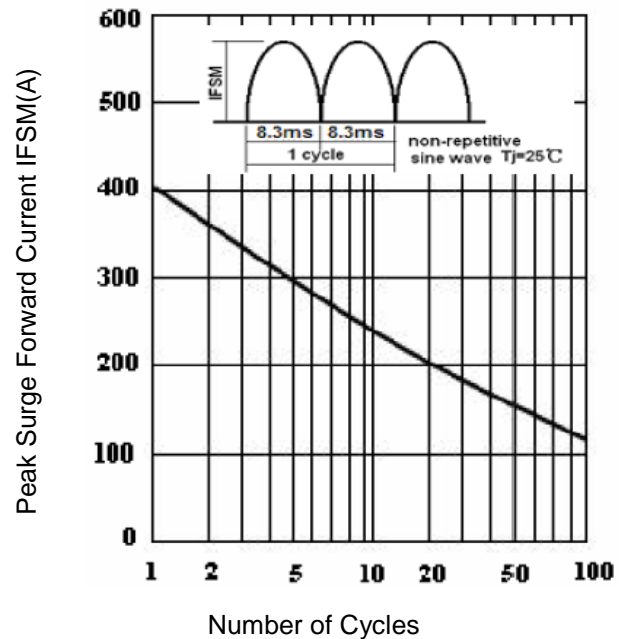
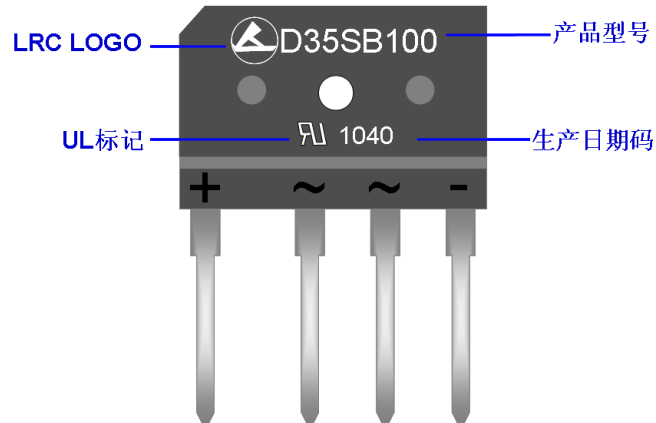


Fig.4 Peak Surge Forward Capability



LD35SB10 Thru LD35SB120

3. Marking Identification



Note:

生产日期码包含4位数字，例如“1040”，前两个数字“10”表示为2010年，另外二个数字“40”是指第40周，即表示该产品为2010年40周生产。

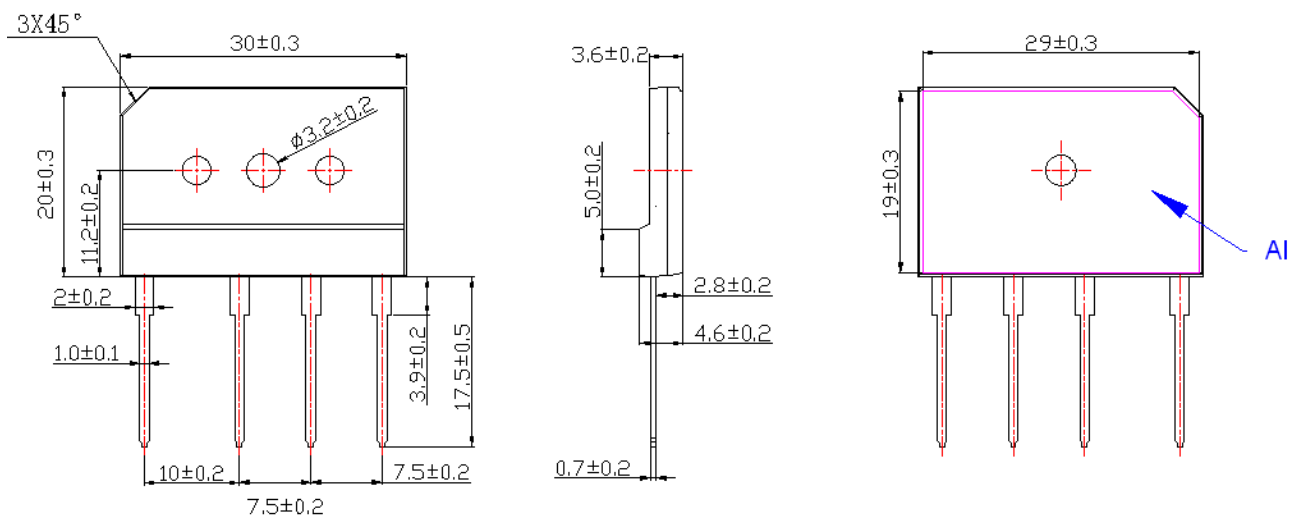
型号:

LD 35 SB 100

bridge reverse voltage=1000V
mean: single -in-line bridge
average rectified forward Current=35A
mean: LD series bridge

4. Dimension

Package Type:LD5



X-ON Electronics

Largest Supplier of Electrical and Electronic Components

Click to view similar products for [Bridge Rectifiers](#) category:

Click to view products by [Leshan](#) manufacturer:

Other Similar products are found below :

[MB2510](#) [MB252](#) [MB356G](#) [MB358G](#) [90MT160KPBF](#) [GBJ1504-BP](#) [GBU10B-BP](#) [GBU15K-BP](#) [GBU4A-BP](#) [GBU4D-BP](#) [GBU6B-E3/45](#)
[DB101-BP](#) [DF01](#) [DF10SA-E345](#) [BU1508-E3/45](#) [BU1510-E3/45](#) [KBPC50-10S](#) [RS405GL-BP](#) [GBJ1502-BP](#) [GBU6M](#) [GSIB1520-E3/45](#)
[2KBB10](#) [36MB140A](#) [TB102M](#) [MB1510](#) [MB86](#) [TL401G](#) [MDA920A2](#) [TU602](#) [TU810](#) [MP5010W-BP](#) [MP501W-BP](#) [MP502-BP](#)
[BR84DTP204](#) [BU1508-E3/51](#) [KBPC25-02](#) [VS-110MT120KPBF](#) [VS-2KBB60](#) [VS-60MT120KPBF](#) [VS-60MT80KPBF](#) [DB105-BP](#) [DF1510S](#)
[VS-40MT160PAPBF](#) [VISKBU8K-E4/51](#) [36MT100](#) [GBU4G-BP](#) [GBU6B-E3/51](#) [DF15005S-E3/77](#) [GSIB15A80-E3/45](#) [DB104-BP](#)