

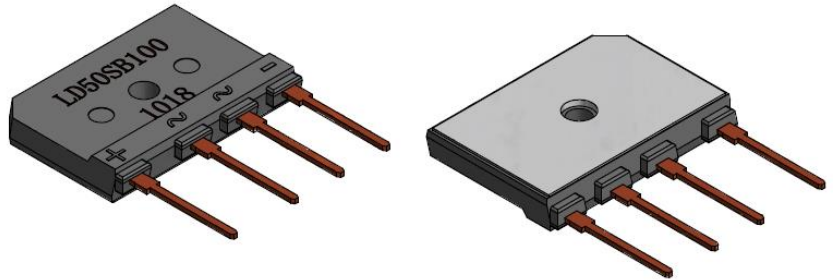
LD50SB10 Thru LD50SB100

High Current Glass Passivated Molding Single-Phase Bridge Rectifier

Reverse Voltage 600 to 1000V Forward Current 50 A

FEATURES

- Plastic Package has Underwriters Laboratory Flammability Classification 94V-0
- High current capacity with small package
- Glass passivated chip junctions
- Low thermal resistance
- High IFSM



1. Maximum & Thermal Characteristics Ratings at 25°C ambient temperature unless otherwise specified.

Parameter Symbol	Symbol	LD50 SB10	LD50 SB20	LD50 SB40	LD50 SB60	LD50 SB80	LD50S B100	LD50SB 120	Unit
Maximum repetitive voltage	VRRM	100	200	400	600	800	1000	1200	V
Maximum RMS Voltage	VRMS	70	140	280	420	560	700	840	V
Maximum DC Blocking Voltage	VDC	100	200	400	600	800	1000	1200	V
Maximum DC reverse current TA=25 °C	IR	10							μA
at rated DC blocking voltage TA=125°C		500							
Maximum average forward rectified output current at	Io	50							A
		10							A
Peak forward surge current 8.3ms single half sine-wave superimposed on rated load	IFSM	450							A
Rating of fusing (t<8.3ms)	i ² t	840							A2sec
Dielectric strength terminals to case, AC 1 minute Current 1mA	Vdia	2.5							KV
Max instantaneous forward voltage at 25A	VF	1.05							V
Operating junction temperature	TJ	-55~150							°C
Maximum thermal on P.C.B. without heat-sink	RθJA	15							°C/W
resistance per leg on Al plate heat-sink ⁽³⁾	RθJC	0.75							
Storage temperature	Tstg	-55~150							°C
Mounting torque	Tor	Rating Torque : 0.8 (Suggests 0.45~0.65)							N.m

Notes:

- (1) Unit case mounted on aluminum plate heatsink
- (2) Units mounted on P.C.B. without heatsink
- (3) Device mounted on the heat sink

LD50SB10 Thru LD50SB100

2. Ratings and Characteristic Curves (TA = 25°C unless otherwise noted)

Fig. 1 Derating Curve

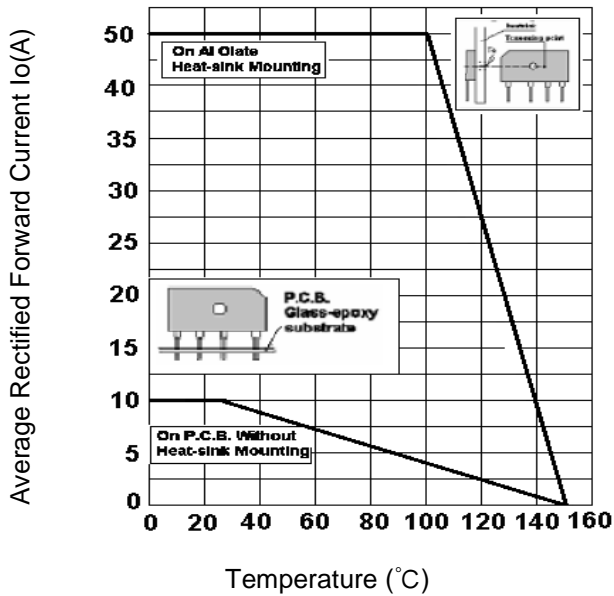


Fig.2 Typical Reverse Characteristics

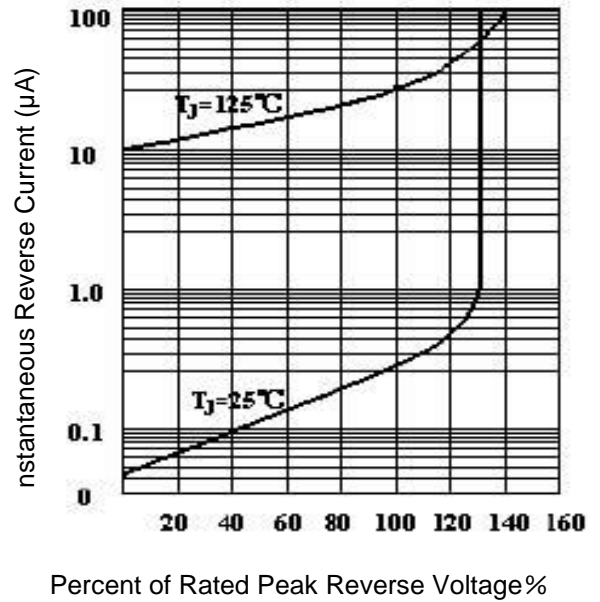


Fig.3 Forward Voltage

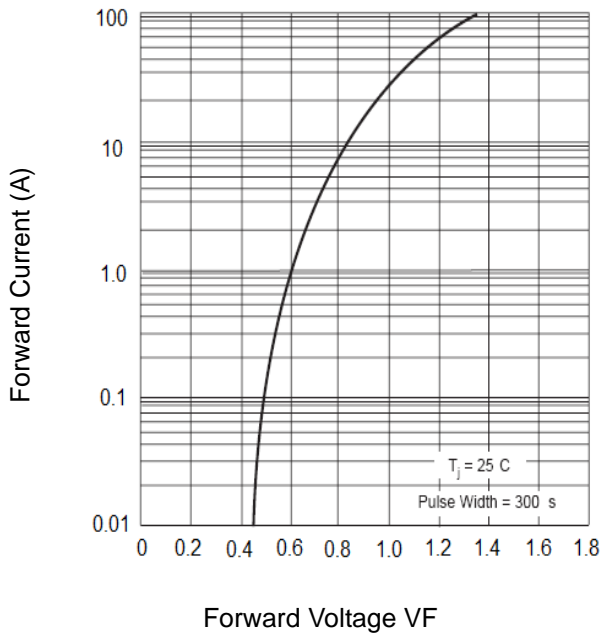
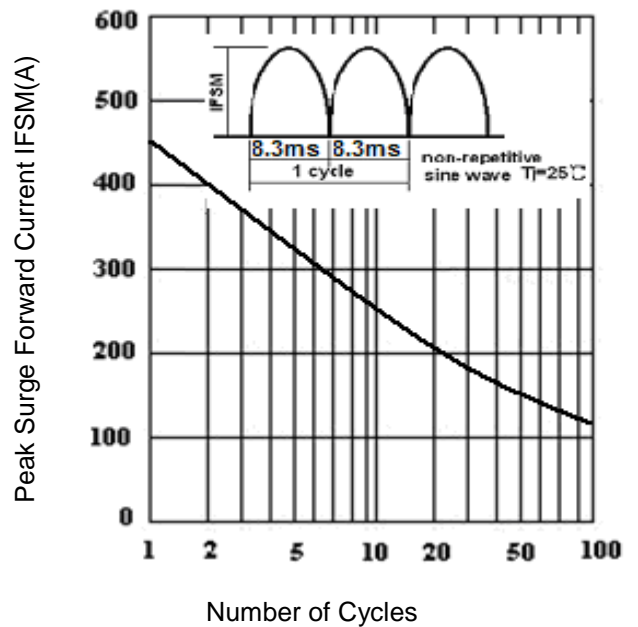
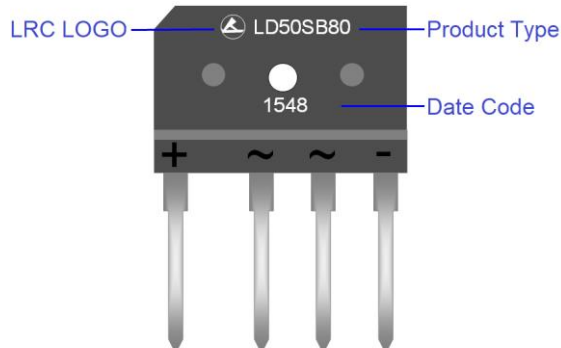


Fig.4 Peak Surge Forward Capability



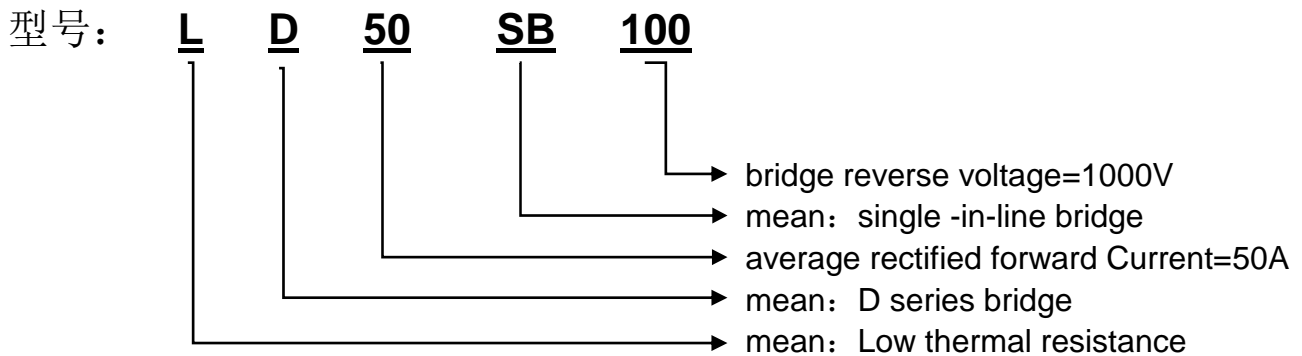
LD50SB10 Thru LD50SB100

3. Marking Identification

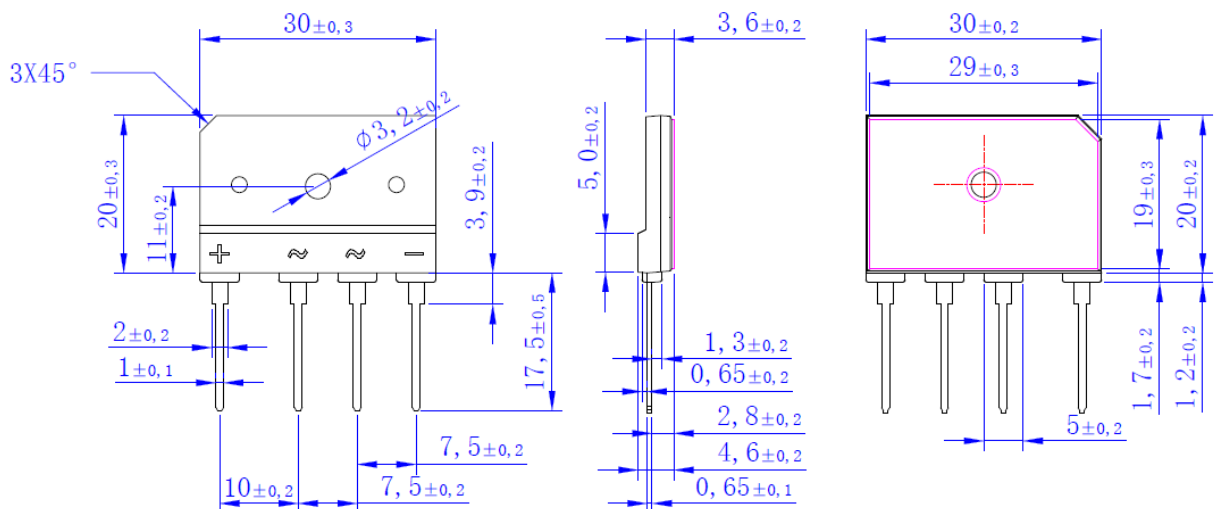


Note

The date code contains four digits, such as "1548". The first two digits "15" denote 2015 year. The other two digits "48" denote the 48th week. The "1548" Indicates that this product was produced in the 48th week of 2015.



4. Dimension



LD50SB10 Thru LD50SB100

5. Update Record

版次	更新记录	更新作者	更新日期
1	第一版	王锋	2018-8-25
2	调整铝板尺寸	伍泽雄	2018-11-06
3	增加电气间隙	伍泽雄	2020-5-28
4	热阻 R θ JA 从 18°C/W 更新至 15°C/W	伍泽雄	2021-4-8

X-ON Electronics

Largest Supplier of Electrical and Electronic Components

Click to view similar products for [Bridge Rectifiers](#) category:

Click to view products by [Leshan](#) manufacturer:

Other Similar products are found below :

[MB2510](#) [MB252](#) [MB356G](#) [MB358G](#) [GBJ1504-BP](#) [GBU10B-BP](#) [GBU15K-BP](#) [GBU4A-BP](#) [GBU4D-BP](#) [GBU6B-E3/45](#) [DB101-BP](#) [DF01](#)
[DF10SA-E345](#) [BU1508-E3/45](#) [BU1510-E3/45](#) [KBPC50-10S](#) [RS405GL-BP](#) [GBJ1502-BP](#) [GBU6M](#) [GSIB1520-E3/45](#) [36MB140A](#) [TB102M](#)
[MB1510](#) [MB86](#) [TL401G](#) [MDA920A2](#) [TU602](#) [TU810](#) [MP5010W-BP](#) [MP501W-BP](#) [MP502-BP](#) [BR84DTP204](#) [BU1508-E3/51](#) [KBPC25-02](#)
[VS-110MT120KPBF](#) [VS-2KBB60](#) [VS-60MT120KPBF](#) [VS-60MT80KPBF](#) [DB105-BP](#) [DF1510S](#) [VS-40MT160PAPBF](#) [VISKBU8K-E4/51](#)
[36MT100](#) [GBU4G-BP](#) [GBU6B-E3/51](#) [DF15005S-E3/77](#) [GSIB15A80-E3/45](#) [DB104-BP](#) [D3SB60](#) [TB354](#)