

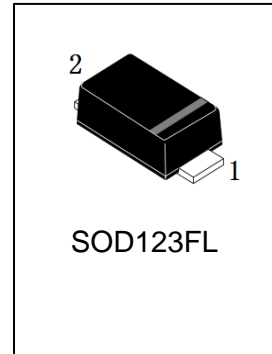
LMBR2200FT1G

S-LMBR2200FT1G

Schottky Barrier Rectifiers

1. FEATURES

- Plastic package has Underwriters Laboratory Flammability Classification 94V-0.
- Low power loss,high efficiency.
- For use in low voltage high frequency inverters,free wheeling,and polarity protection applications.
- Guardring for over voltage protection.
- High temperature soldering guaranteed:260°C/10 seconds at terminals.
- We declare that the material of product compliance with RoHS requirements and Halogen Free.
- S- prefix for automotive and other applications requiring unique site and control change requirements; AEC-Q101 qualified and PPAP capable.



2. DEVICE MARKING AND ORDERING INFORMATION

| Device | Marking | Shipping |
|----------------|---------|----------------|
| LMBR2200FT1G | 220 | 3000/Tape&Reel |
| S-LMBR2200FT1G | 220 | 3000/Tape&Reel |

3. MAXIMUM RATINGS(Ta = 25°C)

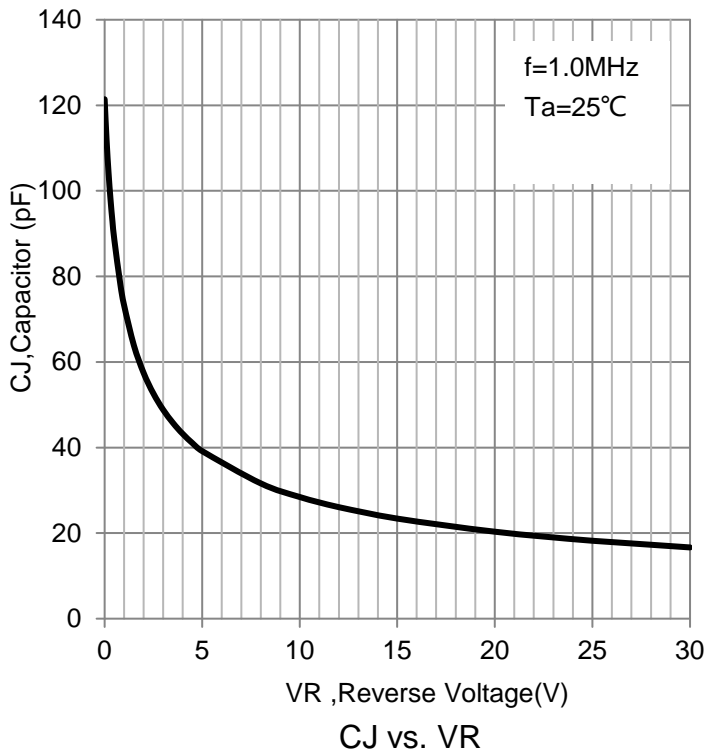
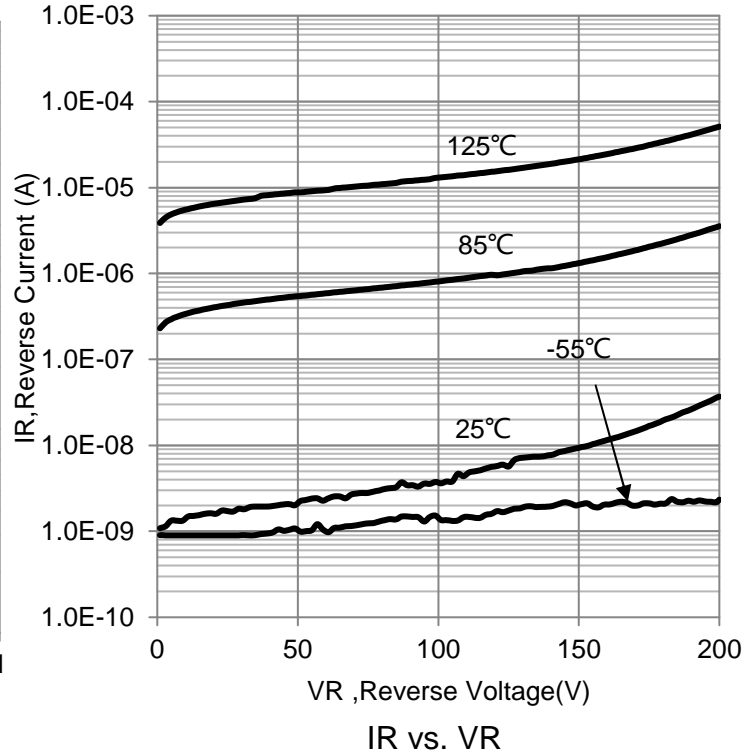
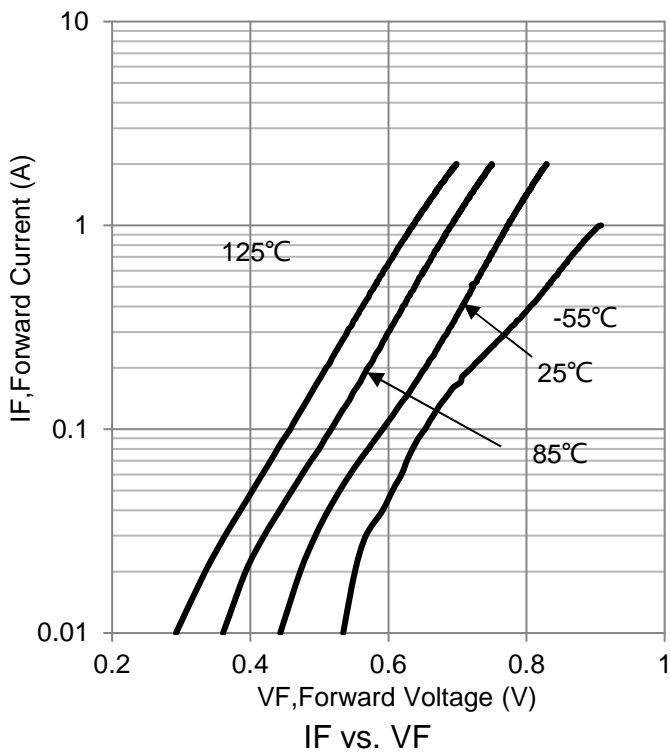
| Parameter | Symbol | Limits | Unit |
|--|--------|------------|------|
| Maximum repetitive peak reverse voltage | VRRM | 200 | V |
| Maximum RMS voltage | VRMS | 140 | V |
| Maximum DC blocking voltage | VDC | 200 | V |
| Maximum average forward rectified current at TA = 75°C | IF(AV) | 2 | A |
| Peak forward surge current 8.3ms single half sine-wave superimposed on rated load (JEDEC Method) | IFSM | 50 | A |
| Power Dissipation | PD | 400 | mW |
| Typical thermal resistance (Note 1) | RθJA | 170 | °C/W |
| | RθJL | 40 | |
| Operating junction temperature range | TJ | -40 ~ +150 | °C |
| storage temperature range | TSTG | -40 ~ +150 | °C |

Note: 1. 8.0mm² (.013mm thick) land areas

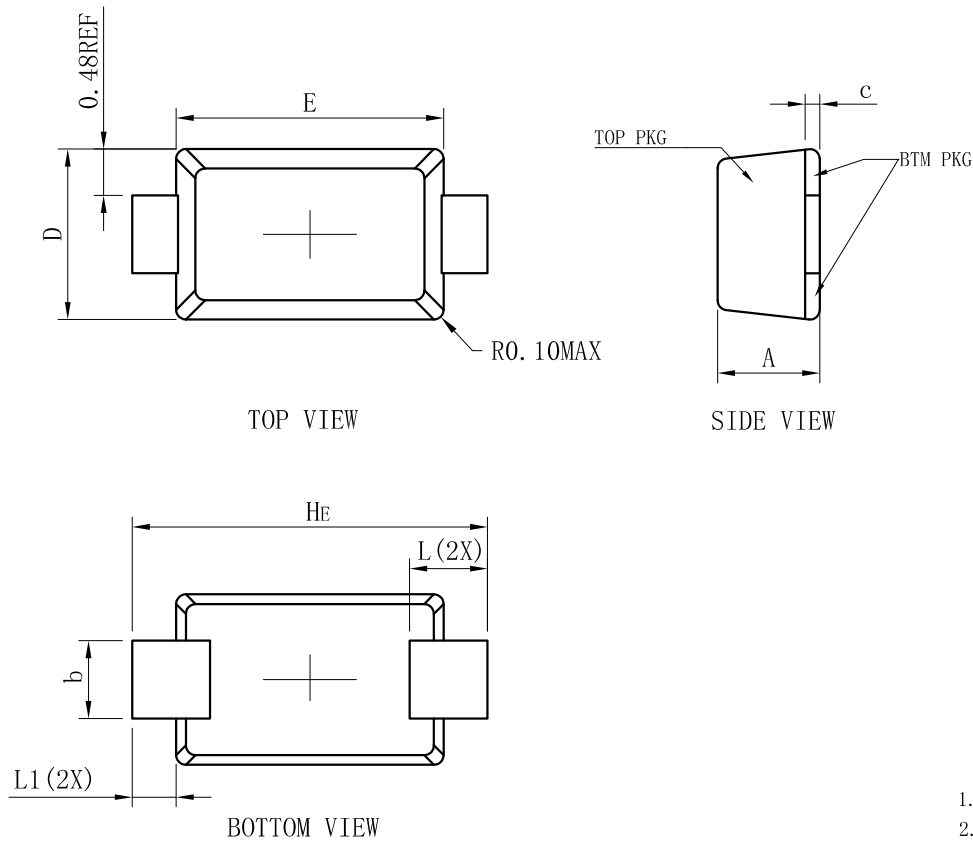
4. ELECTRICAL CHARACTERISTICS (Ta= 25°C)

| Characteristic | Symbol | Min | Typ. | Max | Unit |
|---|--------|-----|------|------|------|
| Maximum instantaneous forward voltage at 2.0A | VF | - | - | 0.92 | V |
| Maximum DC reverse current at rated DC blocking voltage TA = 25°C Tj = 100°C | IR | - | - | 5 | uA |
| | | - | - | 20 | mA |
| Typical junction capacitance at 4.0V, 1MHz | CJ | - | 160 | - | pF |

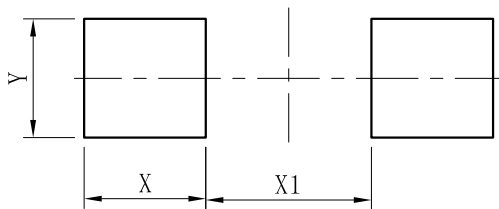
5. ELECTRICAL CHARACTERISTICS CURVES



6. OUTLINE AND DIMENSIONS



7. SOLDERING FOOTPRINT



| DIM | (mm) |
|-----|------|
| X | 1.20 |
| Y | 1.10 |
| X1 | 2.00 |

X-ON Electronics

Largest Supplier of Electrical and Electronic Components

Click to view similar products for [Schottky Diodes & Rectifiers](#) category:

Click to view products by [Leshan](#) manufacturer:

Other Similar products are found below :

[MA4E2039](#) [MA4E2508M-1112](#) [MBR1545CT](#) [MMBD301M3T5G](#) [RB160M-50TR](#) [D83C](#) [BAS16E6433HTMA1](#) [BAT 54-02LRH E6327](#)
[NRVBAF360T3G](#) [NSR05F40QNXT5G](#) [NTE555](#) [JANS1N6640](#) [SK310-T](#) [SK34B-TP](#) [SS3003CH-TL-E](#) [GA01SHT18](#)
[CRS10I30A\(TE85L,QM](#) [MA4E2501L-1290](#) [MBRA140TRPBF](#) [MBRB30H30CT-1G](#) [BAT 15-04R E6152](#) [JANTX1N5712-1](#) [DMJ3940-000](#)
[SB007-03C-TB-E](#) [SK33B-TP](#) [NRVBB20100CTT4G](#) [NRVBM120LT1G](#) [NTSB30U100CT-1G](#) [VS-6CWQ10FNHM3](#) [CRG04\(T5L,TEMQ\)](#)
[ACDBA1100LR-HF](#) [ACDBA1200-HF](#) [ACDBA240-HF](#) [ACDBA3100-HF](#) [CDBQC0530L-HF](#) [CDBQC0240LR-HF](#) [ACDBA260LR-HF](#)
[ACDBA1100-HF](#) [MA4E2502L-1246](#) [10BQ015-M3/5BT](#) [NRVBM120ET1G](#) [CRS08TE85LQM](#) [PMAD1108-LF](#) [B120Q-13-F](#) [1N5819T-G](#)
[B0530WSQ-7-F](#) [PDS1040Q-13](#) [B160BQ-13-F](#) [SDM05U20CSP-7](#) [B140S1F-7](#)