

LSI1013XT1G

S-LSI1013XT1G

P-Channel 1.8-V (G-S) MOSFET

1. FEATURES

- Fast Switching Speed: 14 ns
- High-Side Switching
- Gate to Source ESD Protected:2000V
- We declare that the material of product compliance with RoHS requirements and Halogen Free.
- S- prefix for automotive and other applications requiring unique site and control change requirements; AEC-Q101 qualified and PPAP capable.

2. APPLICATIONS

- Drivers: Relays, Solenoids, Lamps, Hammers, Displays, Memories
- Battery Operated Systems
- Power Supply Converter Circuits
- Load/Power Switching Cell Phones, Paggers

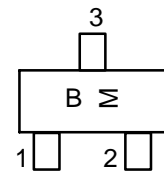
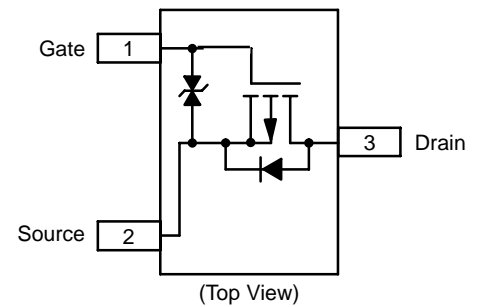
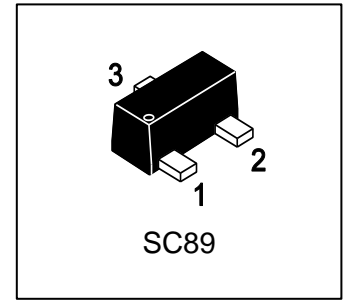
3. DEVICE MARKING AND RESISTOR VALUES

Device	Marking	Shipping
LSI1013XT1G	B	3000/Tape&Reel

4. MAXIMUM RATINGS(Ta = 25°C)

Parameter	Symbol	5 secs	Steady State	Unit
Drain-to-Source Voltage	VDSS	-20		V
Gate-to-Source Voltage	VGS	±6		V
Continuous Drain Current (Note 1)	ID	TA = 25°C	-350	mA
		TA = 85°C	-275	
Pulsed Drain Current (Note 1)	IDM	-1000		
Continuous Source Current	IS	-275	-250	
Power Dissipation (Note 2)	PD	TA = 25°C	250	mW
		TA = 85°C	140	
Operating Junction and Storage Temperature	Tj, Tstg	-55~+150		°C
Gate-Source ESD Rating (HBM, Method 3015)	ESD	2000		V

1. Pulse width limited by maximum junction temperature.
2. Surface Mounted on FR4 Board.



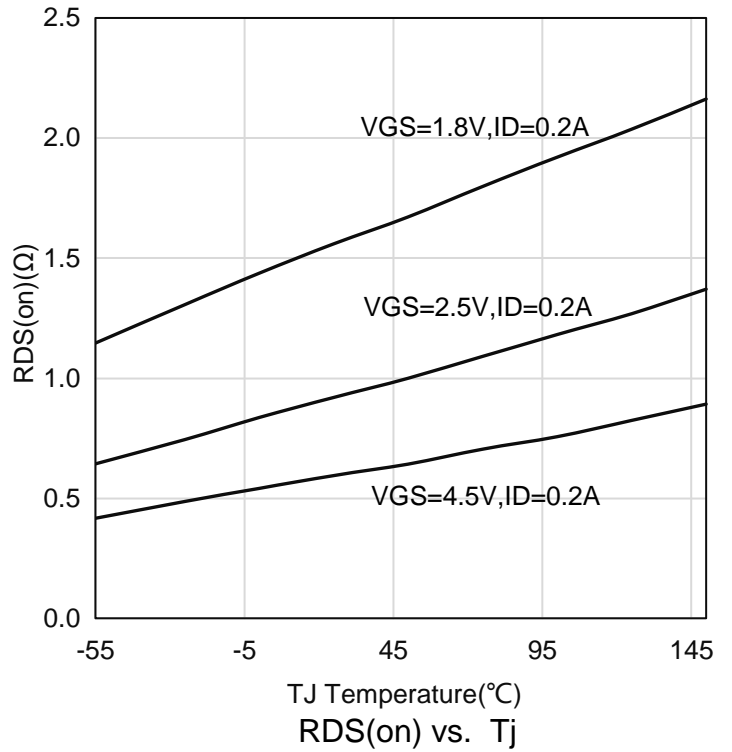
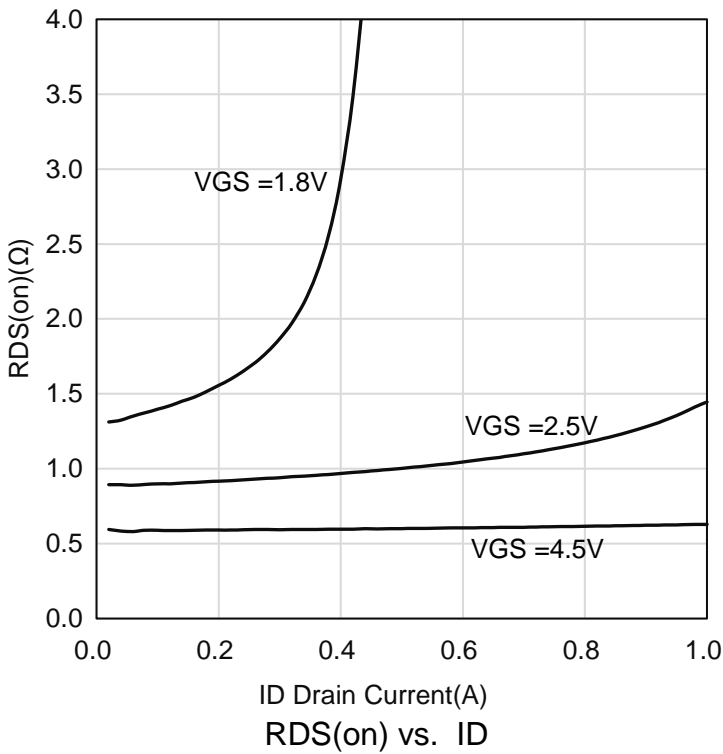
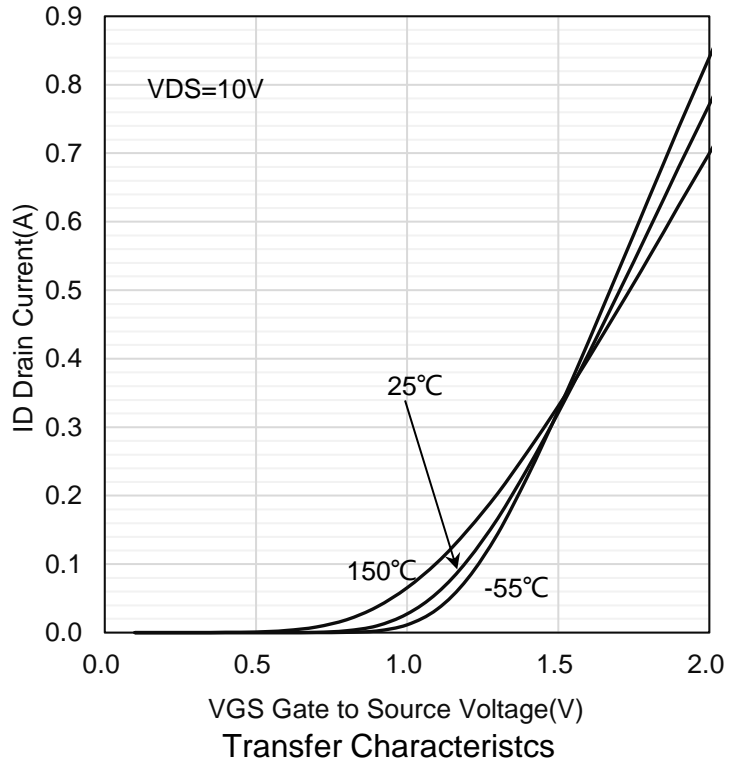
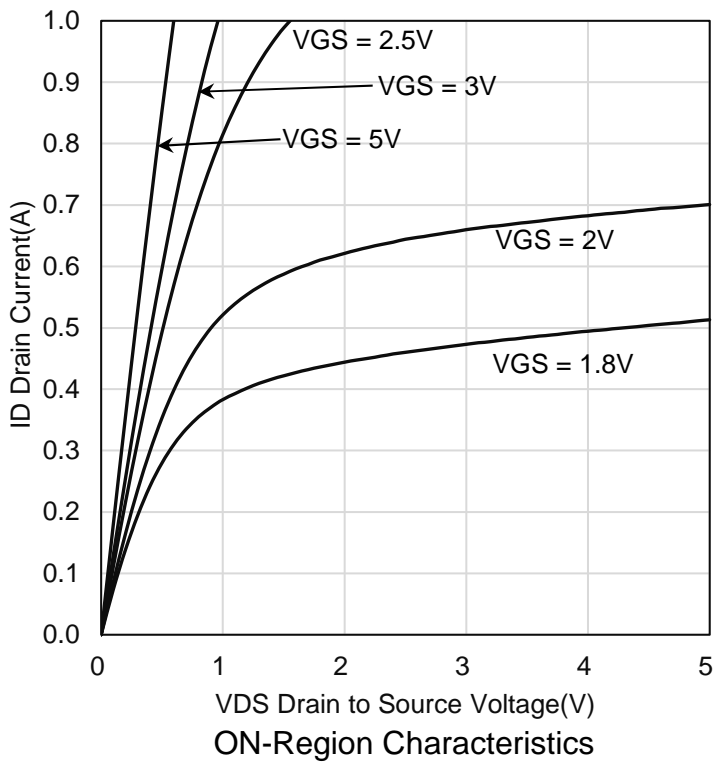
B = Specific Device Code
M = Month Code

5. ELECTRICAL CHARACTERISTICS (Ta= 25°C)

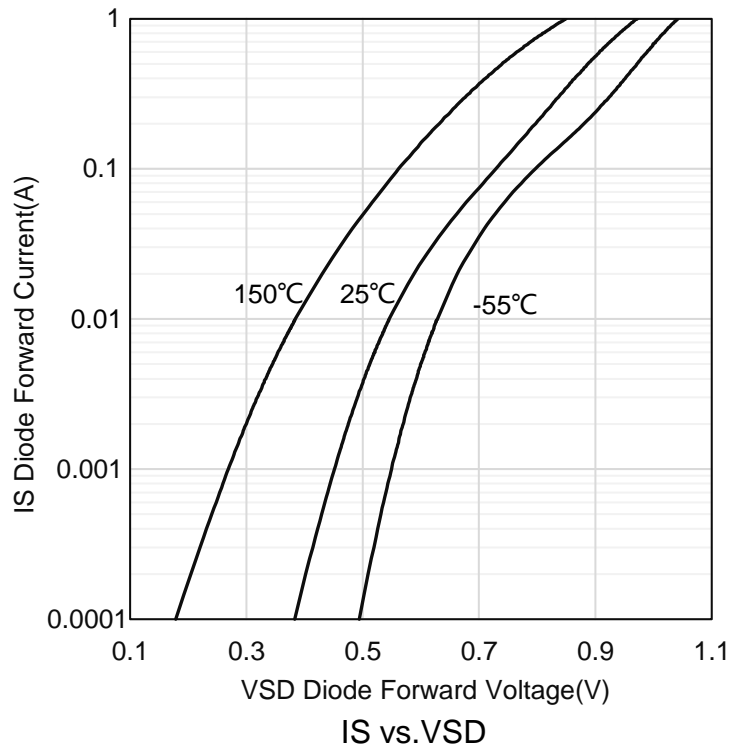
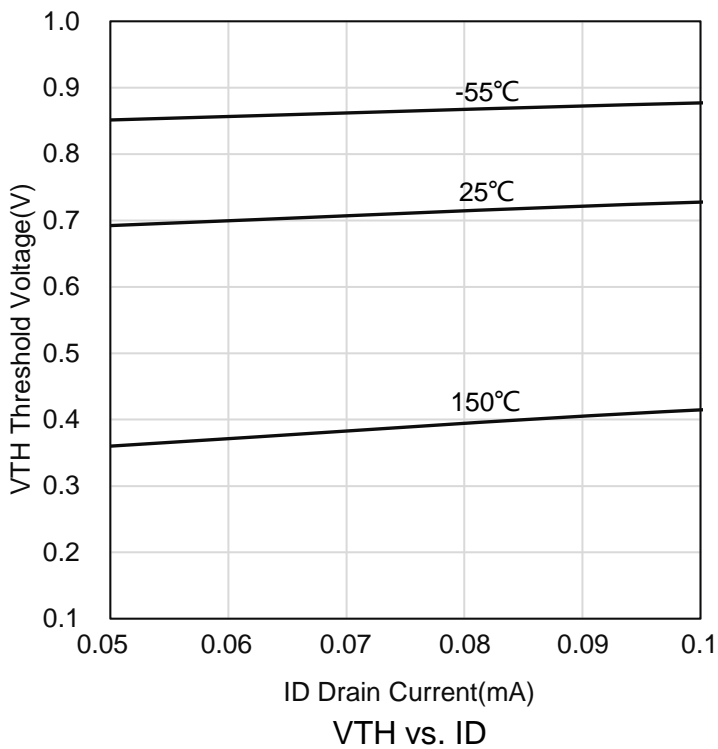
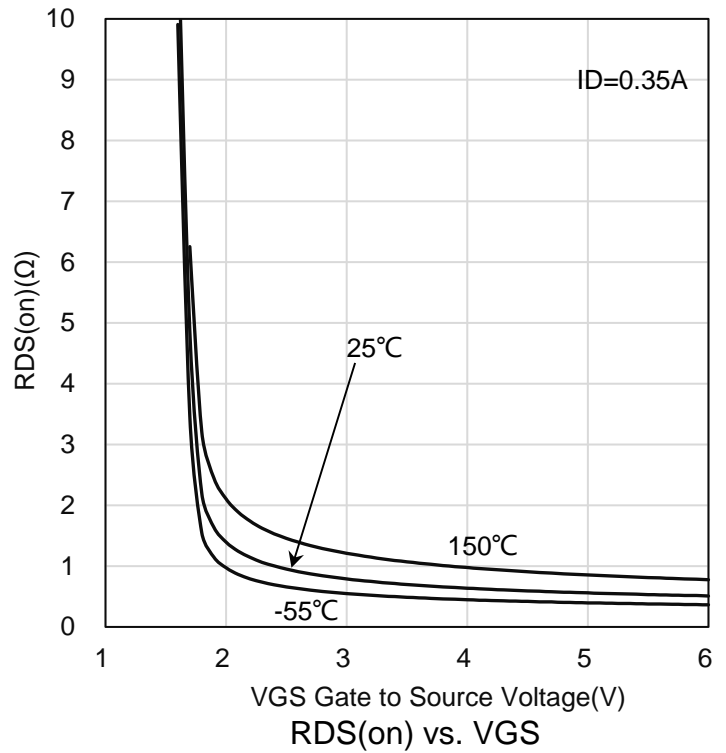
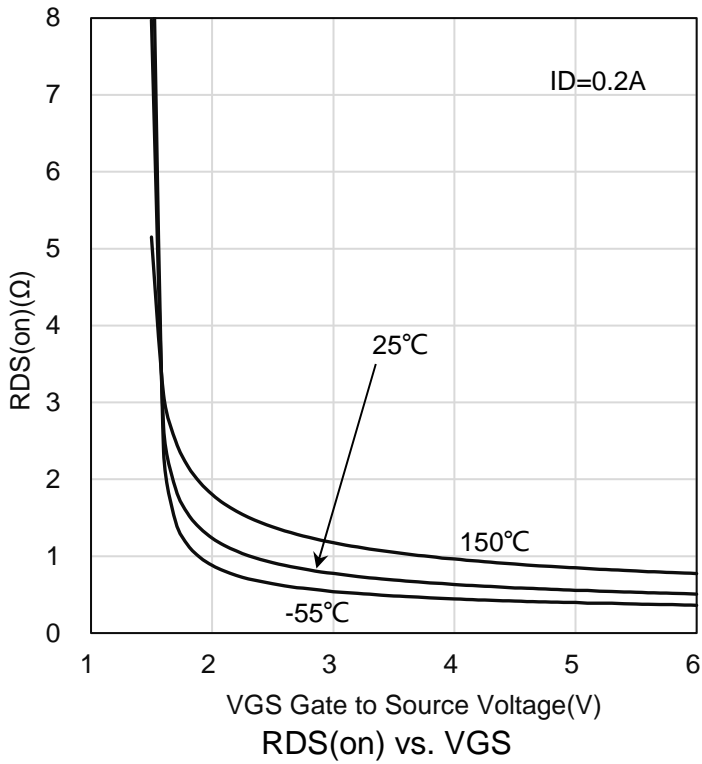
Characteristic	Symbol	Min.	Typ.	Max.	Unit	
Drain–Source Breakdown Voltage (VGS = 0, ID = -250μA)	VBRDSS	-20	-	-	V	
Zero Gate Voltage Drain Current (VDS = -16 V, VGS = 0 V) (VDS = -16 V, VGS = 0 V, TJ = 85°C)	IDSS	-	-0.3	-100	nA μA	
Gate–to–Source Leakage Current (VDS = 0 V, VGS = ±4.5 V)	IGSS	-	±1	±2	μA	
Gate Threshold Voltage (VDS = VGS, ID = -250μA)	VGS(th)	-0.45	-	-1.3	V	
Drain–to–Source On Resistance (VGS = -4.5 V, ID = -350 mA) (VGS = -2.5 V, ID = -300 m A) (VGS = -1.8 V, ID = -10 m A)	RDS(on)	-	0.8 1.2 1.8	1.2 1.6 2.7	Ω	
Diode Forward Voltage (IS = -150 mA, VGS = 0 V)	VSD	-	-0.8	-1.2	V	
Total Gate Charge	(VDS=-10 V, VGS=-4.5 V, ID=-250 mA)	Qg	-	1500	-	pC
Gate-Source Charge			-	150	-	
Gate-Drain Charge			-	450	-	
Turn-On Delay Time	(VDD = -10 V, RL = 47 Ω, ID=-200 mA, VGEN = -4.5 V, RG = 10Ω)	td(ON)	-	5	-	ns
Rise Time		tr	-	9	-	
Turn-Off Delay Time		td(OFF)	-	35	-	
Fall Time		tf	-	11	-	

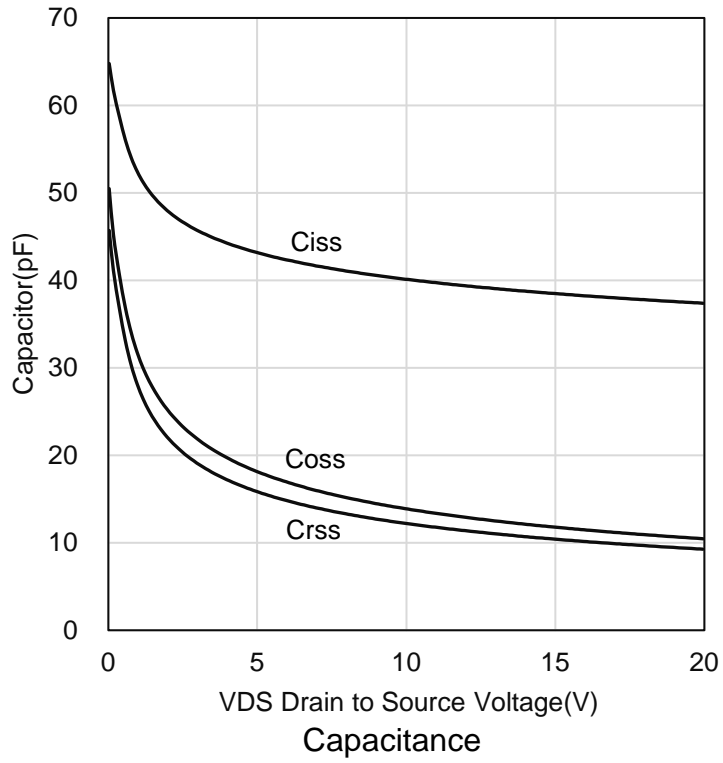
3. Pulse Test: pulse width $\leq 300 \mu\text{s}$, duty cycle $\leq 2\%$.

6.ELECTRICAL CHARACTERISTICS CURVES



6.ELECTRICAL CHARACTERISTICS CURVES(Con.)

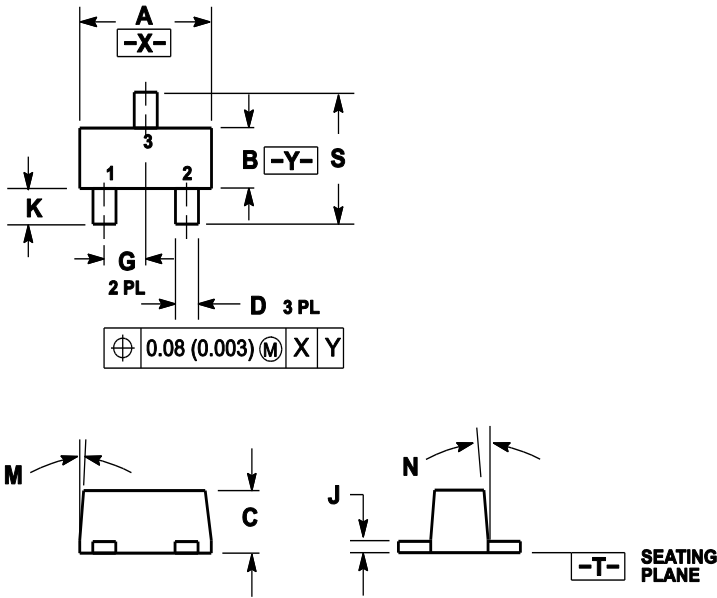


6.ELECTRICAL CHARACTERISTICS CURVES(Con.)

7.OUTLINE AND DIMENSIONS

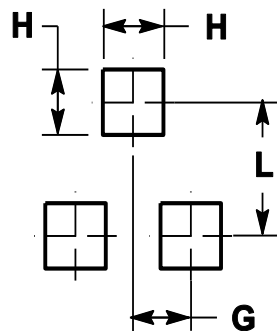
Notes:

1. DIMENSIONING AND TOLERANCING PER ANSI Y14.5M, 1982.
2. CONTROLLING DIMENSION: MILLIMETERS.
3. MAXIMUM LEAD THICKNESS INCLUDES LEAD FINISH. MINIMUM LEAD THICKNESS IS THE MINIMUM THICKNESS OF BASE MATERIAL.
4. DIMENSIONS A AND B DO NOT INCLUDE MOLD FLASH, PROTRUSIONS OR GATE BURRS.



DIM	MILLIMETERS			INCHES		
	MIN	NOM	MAX	MIN	NOM	MAX
A	1.50	1.60	1.70	0.059	0.063	0.067
B	0.75	0.85	0.95	0.030	0.034	0.040
C	0.60	0.70	0.80	0.024	0.028	0.031
D	0.23	0.28	0.33	0.009	0.011	0.013
G	0.50BSC			0.020BSC		
H	0.53REF			0.021REF		
J	0.10	0.15	0.20	0.004	0.006	0.008
K	0.30	0.40	0.50	0.012	0.016	0.02
L	1.10REF			0.043REF		
M	---	---	10°	---	---	10°
N	---	---	10°	---	---	10°
S	1.50	1.60	1.70	0.059	0.063	0.067

8.SOLDERING FOOTPRINT



DISCLAIMER

- Before you use our Products, you are requested to carefully read this document and fully understand its contents. LRC shall not be in any way responsible or liable for failure, malfunction or accident arising from the use of any LRC's Products against warning, caution or note contained in this document.
- All information contained in this document is current as of the issuing date and subject to change without any prior notice. Before purchasing or using LRC's Products, please confirm the latest information with a LRC sales representative.

X-ON Electronics

Largest Supplier of Electrical and Electronic Components

Click to view similar products for [MOSFET](#) category:

Click to view products by [Leshan](#) manufacturer:

Other Similar products are found below :

[IRFD120](#) [JANTX2N5237](#) [2SK2267\(Q\)](#) [BUK455-60A/B](#) [TK100A10N1,S4X\(S](#) [MIC4420CM-TR](#) [VN1206L](#) [NDP4060](#) [SI4482DY](#)
[IRS2092STRPBF-EL](#) [IPS70R2K0CEAKMA1](#) [TK31J60W5,S1VQ\(O](#) [TK31J60W,S1VQ\(O](#) [TK16J60W,S1VQ\(O](#) [2SK2614\(TE16L1,Q\)](#)
[DMN1017UCP3-7](#) [EFC2J004NUZTDG](#) [P85W28HP2F-7071](#) [DMN1053UCP4-7](#) [NTE2384](#) [DMC2700UDMQ-7](#) [DMN2080UCB4-7](#)
[DMN61D9UWQ-13](#) [US6M2GTR](#) [DMN31D5UDJ-7](#) [DMP22D4UFO-7B](#) [IPS60R3K4CEAKMA1](#) [DMN1006UCA6-7](#) [DMN16M9UCA6-7](#)
[STF5N65M6](#) [IRF40H233XTMA1](#) [STU5N65M6](#) [DMN6022SSD-13](#) [DMN13M9UCA6-7](#) [DMTH10H4M6SPS-13](#) [IPS60R360PFD7SAKMA1](#)
[DMN2990UFB-7B](#) [SSM3K35CT,L3F](#) [IPLK60R1K0PFD7ATMA1](#) [2N7002W-G](#) [MCAC30N06Y-TP](#) [IPWS65R035CFD7AXKSA1](#)
[MCQ7328-TP](#) [SSM3J143TU,LXHF](#) [DMN12M3UCA6-7](#) [PJMF280N65E1_T0_00201](#) [PJMF380N65E1_T0_00201](#)
[PJMF280N60E1_T0_00201](#) [PJMF600N65E1_T0_00201](#) [PJMF900N65E1_T0_00201](#)