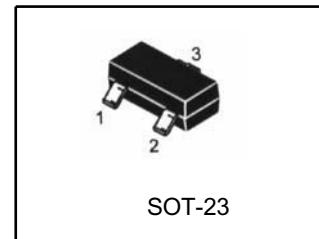


Programmable Precision Reference

LTL431ATSLT1G

DESCRIPTION

The LTL431 is a three-terminal adjustable regulator with a guaranteed thermal stability over applicable temperature ranges. The output voltage may be set to any value between V_{ref} (approximately 2.5V) and 36V with two external resistors. It provides very wide applications, including shunt regulator, series regulator, switching regulator, voltage reference and others.



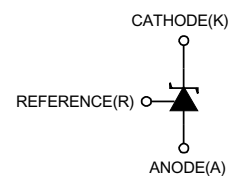
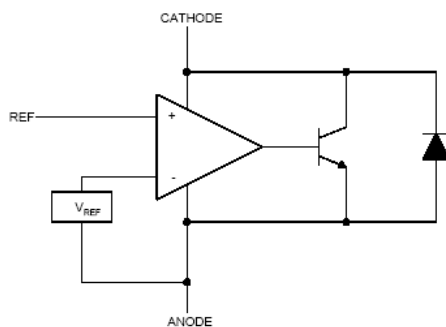
1: Cathode; 2: Ref; 3: Anode

FEATURES

- Programmable output Voltage to 36V.
- Low dynamic output impedance 0.2Ω
- Sink current capability of 1 to 100mA.
- Equivalent full-range temperature coefficient of $50\text{ppm}/^\circ\text{C}$ typical for operation over full rated operating temperature range.
- ESD Enhanced; HBM 8000V

Pb-Free package is available

BLOCK DIAGRAM



ABSOLUTE MAXIMUM RATINGS (Operating temperature range applies unless otherwise specified)

PARAMETER	SYMBOL	VALUE	UNIT
Cathode Voltage	V _K A	36	V
Cathode Current Range(Continuous)	I _K A	-100 ~ +150	mA
Reference Input Current Range	I _{ref}	-0.05 ~ +10	mA
Operating Junction Temperature	T _j	150	°C
Operating Ambient Temperature	T _{opr}	-40 ~ +125	°C
Storage Temperature Temperature	T _{stg}	-65 ~ +150	°C

RECOMMENDED OPERATING CONDITIONS

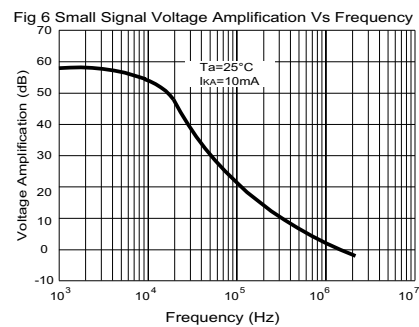
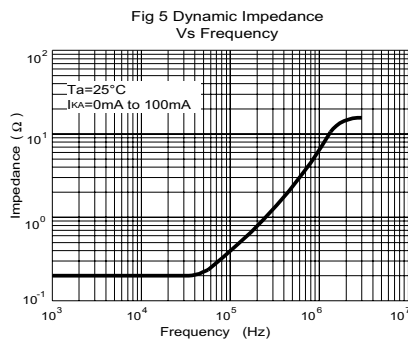
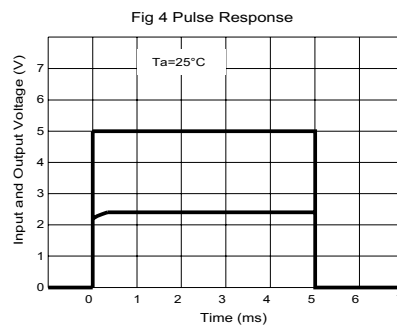
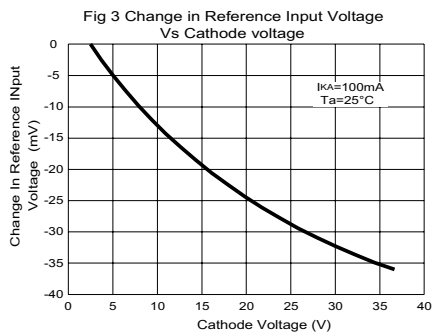
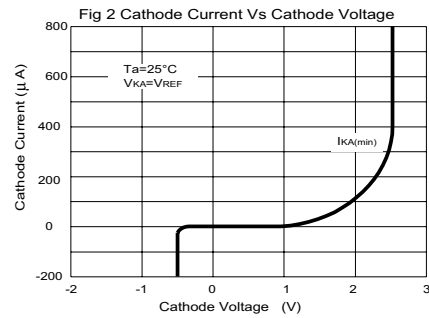
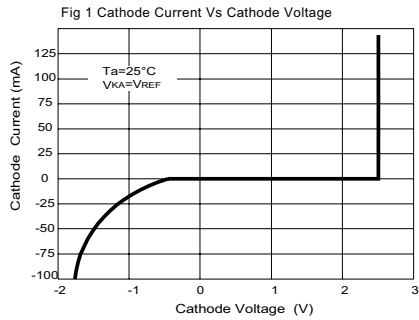
PARAMETER	SYMBOL	MIN	TYP	MAX	UNIT
Cathode Voltage	V _K A	V _{REF}		36	V
Cathode Current	I _K A	0.5		100	mA

ELECTRICAL CHARACTERISTICS (T_a=25°C, unless otherwise specified)

Characteristic		Symbol	Test conditions	MIN	TYP	MAX	UNIT	
Reference Input Voltage 1	0.5%	V _{ref}	V _K A=V _{REF} , I _K A=10mA	2.488	2.50	2.512	V	
	1%			2.475	2.50	2.525		
	2%			2.450	2.50	2.550		
Reference Input Voltage 2*	0.5%	V _{ref}	V _K A=V _{REF} , I _K A=10mA	2.483	2.495	2.507	V	
	1%			2.470	2.495	2.520		
	2%			2.445	2.495	2.545		
Deviation of reference Input Voltage Over temperature		ΔV _{ref}	V _K A=V _{REF} , I _K A=10mA T _{MIN} ≤ T _A ≤ T _{MAX}		4.5	25	mV	
Ratio of Change in Reference Input Voltage to the Change in Cathode Voltage		ΔV _{ref} /ΔV _K A	I _K A=10mA	ΔV _K A=10V~V _{REF}		-1.0	-2.7	mV/V
				ΔV _K A=36V~10V		-0.5	-2.0	
Reference Input Current		I _{ref}	I _K A=10mA, R ₁ =10kΩ, R ₂ =∞		1	2	μA	
Deviation of Reference Input Current Over Full Temperature Range		ΔI _{ref} /ΔT	I _K A=10mA, R ₁ =10kΩ, R ₂ =∞, T _A =full Temperature		0.2	0.4	μA	
Minimum cathode current for regulation		I _K A(min)	V _K A=V _{REF}		0.3	0.5	mA	
Off-state cathode Current		I _K A(OFF)	V _K A=36V, V _{REF} =0		0.05	0.5	μA	
Dynamic Impedance		Z _K A	V _K A=V _{REF} , I _K A=1 to 100mA f ≤ 1.0kHz		0.15	0.5	Ω	

*** CLASSIFICATION OF V_{ref} AND PACKAGE**

Type	Rank	Range(V)	Marking	Package	T _{opr}
LTL431ATSLT1G	0.5%	2.488~2.512	LAS	SOT-23	-40~+125 °C
LTL431BTSLS1G	1%	2.475~2.525	LBS	SOT-23	-40~+125 °C
LTL431APTSLT1G	0.5%	2.483~2.507	LCS	SOT-23	-40~+125 °C
LTL431BPTSLT1G	1%	2.470~2.520	LDS	SOT-23	-40~+125 °C

TYPICAL PERFORMANCE CHARACTERISTICS


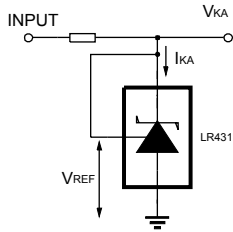
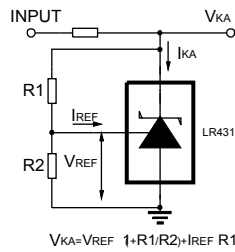
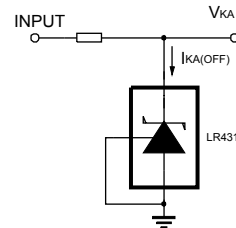
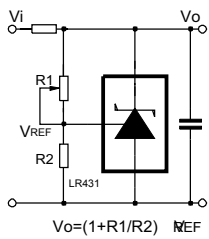
TEST CIRCUIT

 Fig 7 Test Circuit For $V_{KA}=V_{REF}$

 Fig 8 Test Circuit for $V_{KA} \geq V_{REF}$

 Fig 9 Test Circuit For $I_{KA(OFF)}$
APPLICATION CIRCUIT


Fig 10 Shutdown Regulator

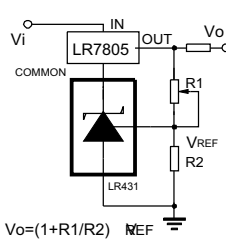


Fig 11 Output Control of a Three-Terminal Fixed Regulator

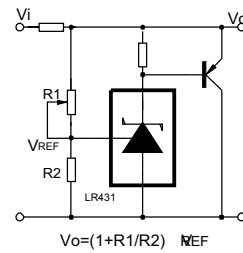


Fig 12 Higher-current Shunt Regulator

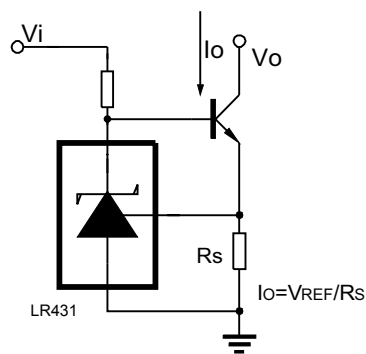


Fig 13 Constant-current Sink

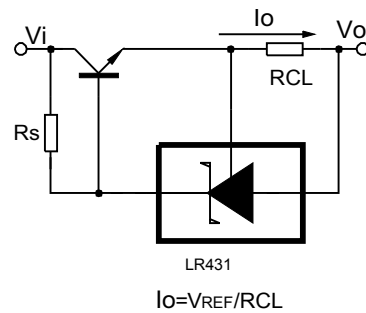
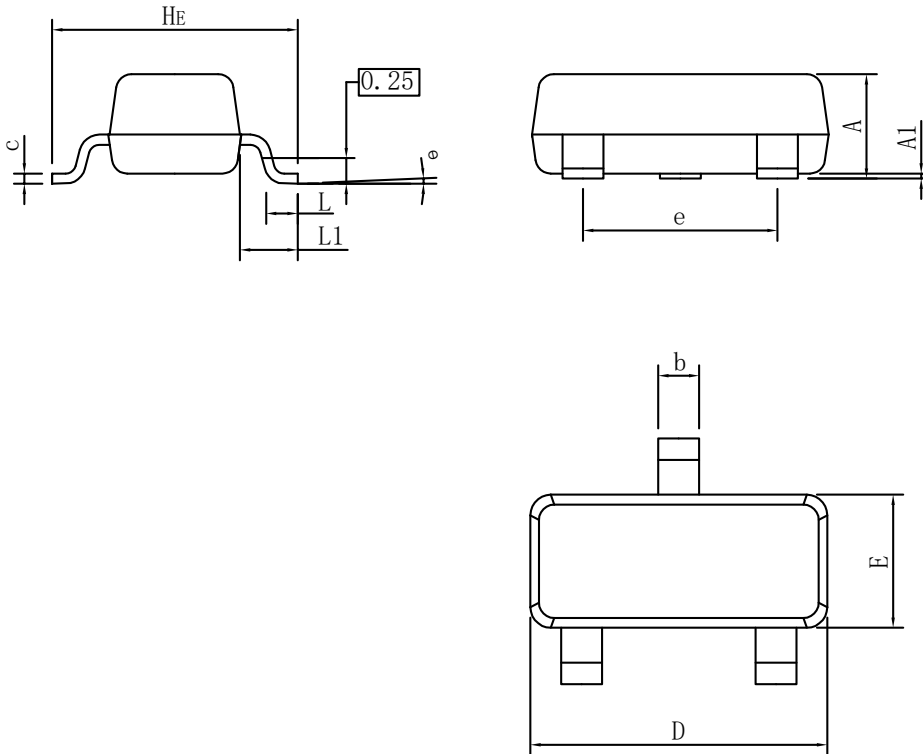


Fig 14 Current Limiting or Current Source

SOT-23 PACKAGE OUTLINE DIMENSIONS


SOT23			
DIM	MIN	NOR	MAX
A	0.90	1.00	1.10
A1	0.01	0.06	0.10
b	0.30	0.40	0.50
c	0.10	0.17	0.20
D	2.80	2.90	3.00
E	1.20	1.30	1.40
e	1.80	1.90	2.00
L	0.20	0.40	0.60
L1	0.60REF		
HE	2.20	2.40	2.60
θ	0°	-	10°
All Dimensions in mm			

GENERAL NOTES

1. Top package surface finish Ra0.4±0.2um
2. Bottom package surface finish Ra0.7±0.2um
3. Side package surface finish Ra0.4±0.2um

X-ON Electronics

Largest Supplier of Electrical and Electronic Components

Click to view similar products for [Voltage References](#) category:

Click to view products by [Leshan](#) manufacturer:

Other Similar products are found below :

[5962-8686103XC](#) [REF01J/883](#) [SC431ILPRAG](#) [AP432AQG-7](#) [LM4040B25QFTA](#) [EL5226IR](#) [EL5326IR](#) [EL5326IRZ](#) [ISL21007DFB825Z](#)
[ISL21009BFB812Z](#) [ISL21009CFB812Z](#) [ISL60002BIH312](#) [TS3320AMR](#) [TS3325AMR](#) [TS3330AMR](#) [TS3333AMR](#) [X60003CIG3-41](#)
[X60003DIG3Z-41T1](#) [X60250V8I](#) [REF3025TB-GT3](#) [SC432BVSNT1G](#) [TL431CPG](#) [LM336Z-5.0](#) [MMTL432](#) [TL431A](#) [LR432ATLT1G](#)
[TL432](#) [TL431A](#) [TL431NSG-AE2-R](#) [TL432](#) [TL431](#) [TL431](#) [CD431A](#) [TL432](#) [LM285M3-2.5/TR](#) [TL432AIM3/TR](#) [LM431AIM3/TR](#)
[MC1403MM/TR](#) [TL431CM3/TR](#) [HT432ARTZ](#) [TL431Z-AST](#) [LTL431APKLT1G](#) [JD431A](#) [431S](#) [TL432](#) [WD431NTR-BG](#) [CJ431](#) [CD431](#)
[TL431A 0.4%](#) [ADR4520ARZ-R7](#)