

LTVS16H5.0AT5G

LTVS16H5.0AT5G

Features

- 5V uni-directional ESD diode
- Low clamping voltage
- Complies with IEC 61000-4-2 standards:

Air discharge: $\pm 30\text{kV}$

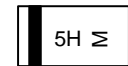
Contact discharge: $\pm 30\text{kV}$

- RoHS Compliant



DFN1610

**MARKING
DIAGRAM**



cathode

5H = Specific Device Code
M = Month Code

Ordering information

Device	Marking	Shipping
LTVS16H5.0AT5G	5H	8000/Tape&Reel

Absolute Maximum Ratings ($T_A=25^\circ\text{C}$ unless otherwise specified)

Parameter	Symbol	Value	Unit
Peak Pulse Power (8/20 μs)	Ppk	1800	W
Peak Pulse Current (8/20 μs)	I _{PP}	160	A
Operating Temperature Range	T _J	-55 to +125	$^\circ\text{C}$
Storage Temperature Range	T _{stg}	-55 to +150	$^\circ\text{C}$

Electrical Characteristics ($T_A=25^\circ\text{C}$ unless otherwise specified)

Parameter	Symbol	Min	Typ	Max	Unit	Test Condition
Reverse Working Voltage	V _{RWM}			5	V	
Breakdown Voltage	V _{BR}	5.5		6.5	V	I _T = 1mA
Reverse Leakage Current	I _R			0.3	μA	V _R = 5V
Clamping Voltage	V _C			9	V	I _{PP} = 80A (8 x 20 μs pulse)
Clamping Voltage	V _C			9.8	V	I _{PP} = 100A (8 x 20 μs pulse)
Junction Capacitance	C _J			800	pF	V _R = 0V, f = 1MHz

LTVS16H5.0AT5G

Typical Performance Characteristics (T_A=25°C unless otherwise Specified)

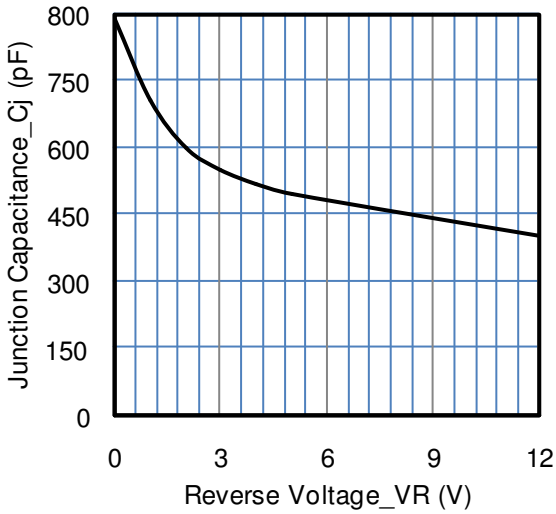


Fig1. Junction Capacitance vs. Reverse Voltage

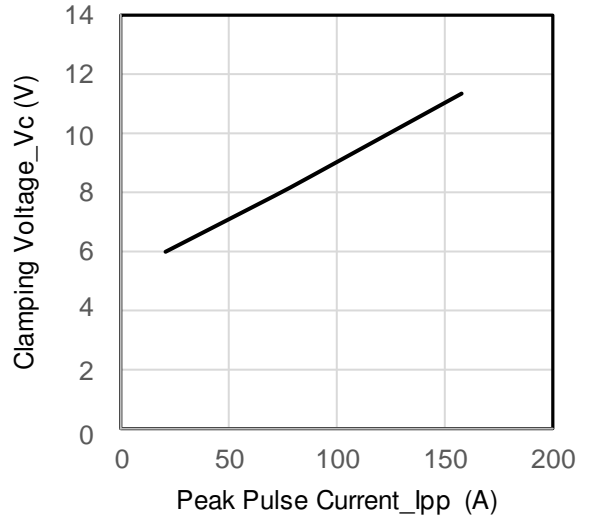


Fig 2 Clamping Voltage vs. Peak Pulse Current

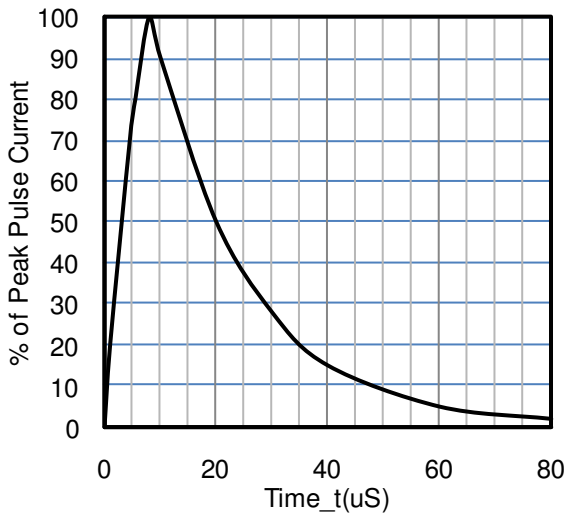


Fig3 . 8 X 20uS Pulse Waveform

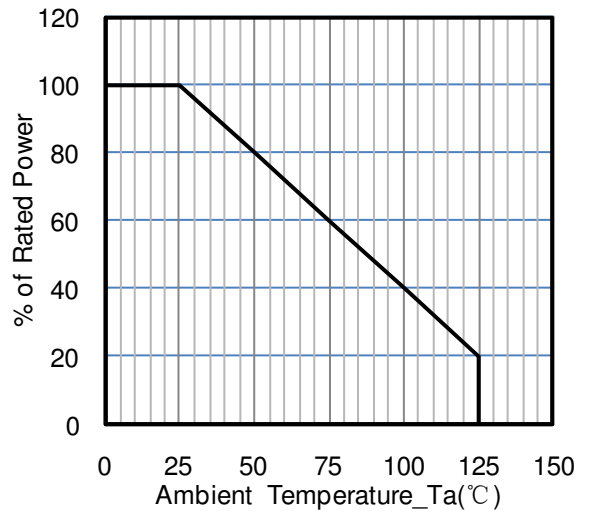


Fig4. Power Derating Curve

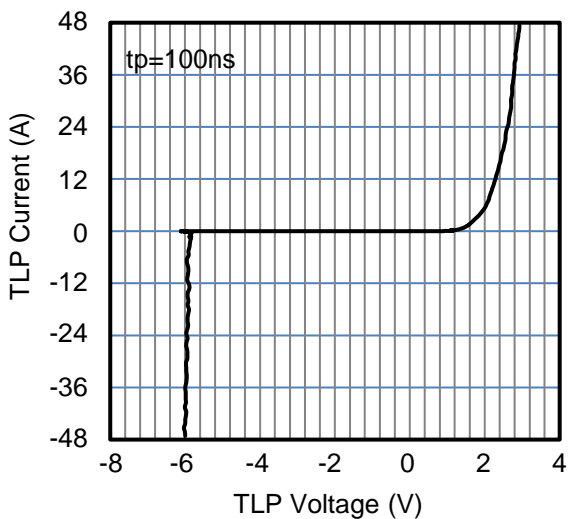
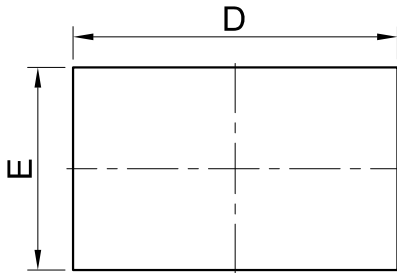


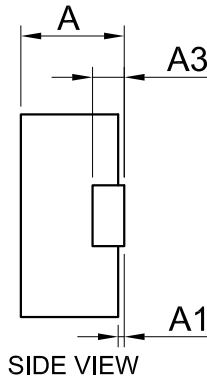
Fig5. TLP Measurement

LTVS16H5.0AT5G

OUTLINE AND DIMENSIONS

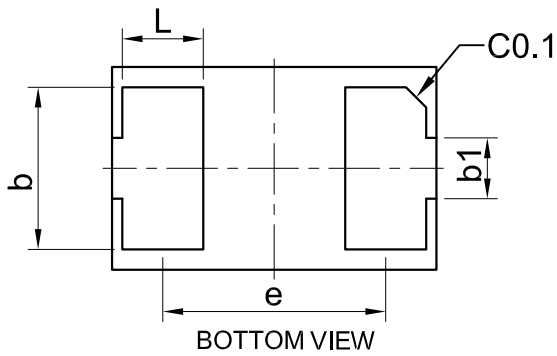


TOP VIEW



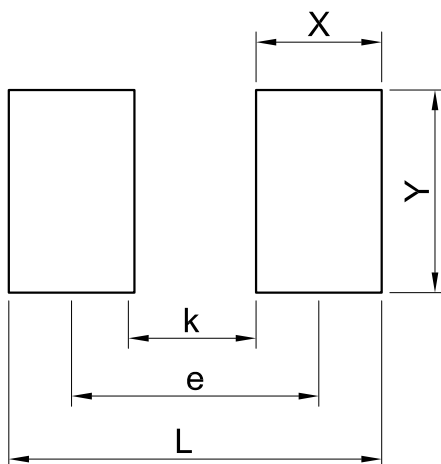
SIDE VIEW

DFN1610			
DIM	MIN	NOR	MAX
A	0.46	0.51	0.56
A1	0.01	0.03	0.05
b	0.75	0.80	0.85
b1	0.25	0.30	0.35
D	1.55	1.60	1.65
E	0.95	1.00	1.05
e	1.10BSC		
L	0.35	0.40	0.45
A3	0.127REF.		
All Dimensions in mm			



BOTTOM VIEW

SOLDERING FOOTPRINT



DFN1610	
DIM	(mm)
X	0.62
Y	1.00
L	1.84
e	1.22
K	0.60

X-ON Electronics

Largest Supplier of Electrical and Electronic Components

Click to view similar products for [ESD Suppressors / TVS Diodes](#) category:

Click to view products by [Leshan](#) manufacturer:

Other Similar products are found below :

[60KS200C](#) [D18V0L1B2LP-7B](#) [D5V0F4U5P5-7](#) [NTE4902](#) [P4KE27CA](#) [P6KE11CA](#) [P6KE39CA-TP](#) [P6KE8.2A](#) [JANTX1N6053A](#)
[SA110CA](#) [SA60CA](#) [SA64CA](#) [SMBJ12CATR](#) [SMBJ33CATR](#) [SMBJ8.0A](#) [ESD101-B1-02ELS E6327](#) [ESD105-B1-02EL E6327](#) [ESD112-B1-02EL E6327](#) [ESD119B1W01005E6327XTSA1](#) [ESD5V0L1B02VH6327XTSA1](#) [ESD7451N2T5G](#) [19180-510](#) [CPDT-5V0USP-HF](#)
[3.0SMCJ33CA-F](#) [3.0SMCJ36A-F](#) [HSPC16701B02TP](#) [JANTX1N6126A](#) [JANTX1N6462](#) [JANTX1N6465](#) [USB50805e3/TR7](#)
[D3V3Q1B2DLP3-7](#) [D55V0M1B2WS-7](#) [DRTR5V0U4SL-7](#) [SCM1293A-04SO](#) [ESD200-B1-CSP0201 E6327](#) [SM12-7](#) [SM1605E3/TR13](#)
[SMLJ45CA-TP](#) [CEN955 W/DATA](#) [82350120560](#) [VESD12A1A-HD1-GS08](#) [CPDUR5V0R-HF](#) [CPDQC5V0U-HF](#) [CPDQC5V0USP-HF](#)
[CPDQC5V0-HF](#) [D1213A-01LP4-7B](#) [ESD101-B1-02EL E6327](#) [824500181](#) [MMAD1108/TR13](#) [5KP100A](#)