

MP351W Thru MP3510W

High Current Glass Passivated Molding Single-Phase Bridge Rectifier

Reverse Voltage 100 to 1000V Forward Current 35.0 A

FEATURES

- Plastic Package has Underwriters Laboratory Flammability Classification 94V-0
- High current capacity with small package
- Glass passivated chip junctions
- Superior thermal conductivity
- High IFSM



1. Maximum & Thermal Characteristics Ratings at 25 ambient temperature unless otherwise specified.

| Item | Symbol | MP351W | MP352W | MP354W | MP356W | MP358W | MP3510W | Unit |
|--|------------------|--|--------|--------|--------|--------|---------|--------------------|
| Maximum repetitive voltage | VRM | 100 | 200 | 400 | 600 | 800 | 1000 | V |
| Maximum RMS Voltage | VRMS | 70 | 140 | 280 | 420 | 560 | 700 | V |
| Maximum DC Blocking Voltage | VDC | 100 | 200 | 400 | 600 | 800 | 1000 | V |
| Maximum DC reverse current TA=25 | IR | 5 | | | | | | μA |
| at rated DC blocking voltage TA=125 | | | | | | | | |
| Average rectified forward current Tc=82 | Io | 35 | | | | | | A |
| 60Hz sinewave,R-load without heatsink Ta=38 | | | | | | | | |
| Peak forward surge current 8.3 ms single half sine-wave superimposed on rated load | IFSM | 400 | | | | | | A |
| Rating for Fusing (t<8.3ms) | I ² t | 660 | | | | | | A ² sec |
| Dielectric strength Terminals to case, AC 1 minute Current 1mA | Vdia | 2.0 | | | | | | KV |
| Maximum instantaneous forward voltage at 17.5A | VF | 1.05 | | | | | | V |
| Operating junction temperature | Tj | -40~150 | | | | | | |
| Storage temperature | Tstg | -40~150 | | | | | | |
| Mounting torque | Tor | Rating Torque : 1.2 (Suggests 0.6~1.0) | | | | | | N.m |

MP351W Thru MP3510W

2. Ratings and Characteristic Curves (TA = 25°C unless otherwise noted)

Fig. 1 Derating Curve

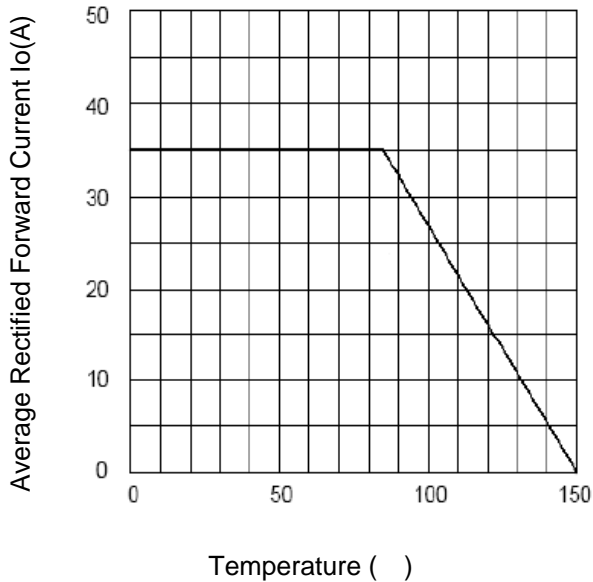


Fig.2 Typical Reverse Characteristics

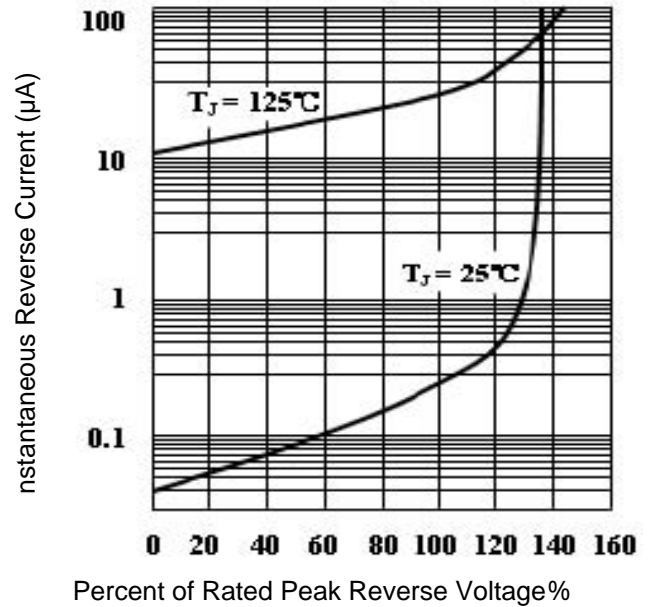


Fig.3 Forward Voltage

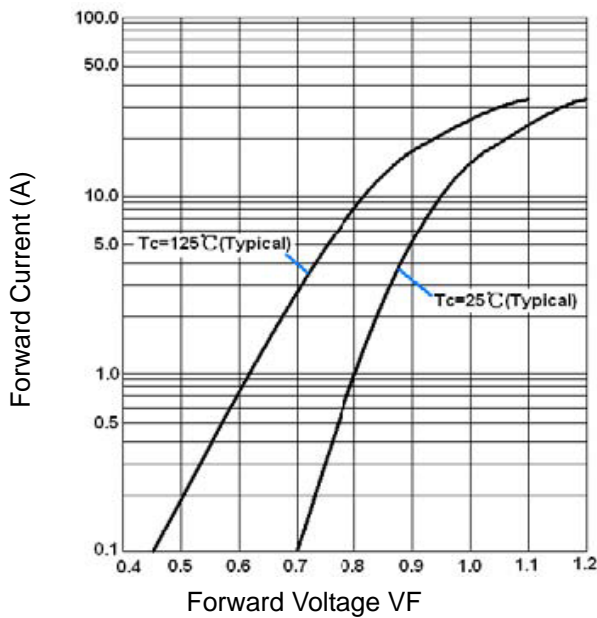
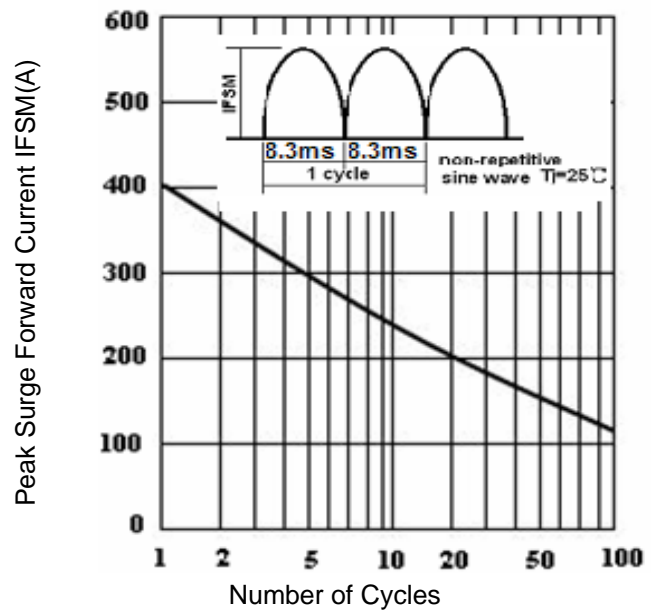
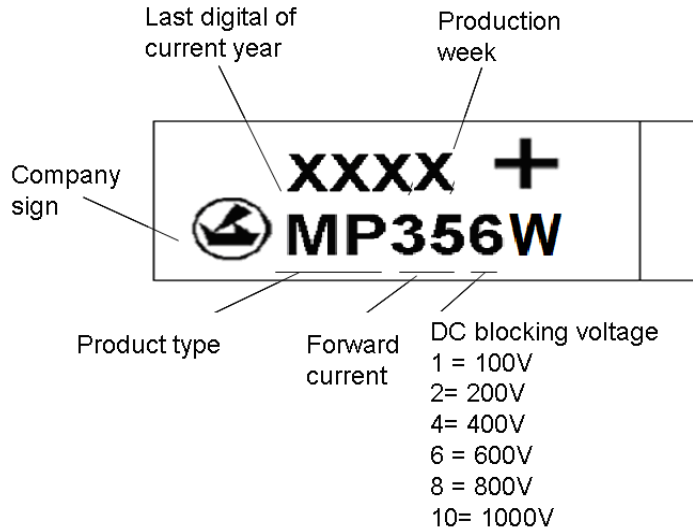


Fig.4 Peak Surge Forward Capability



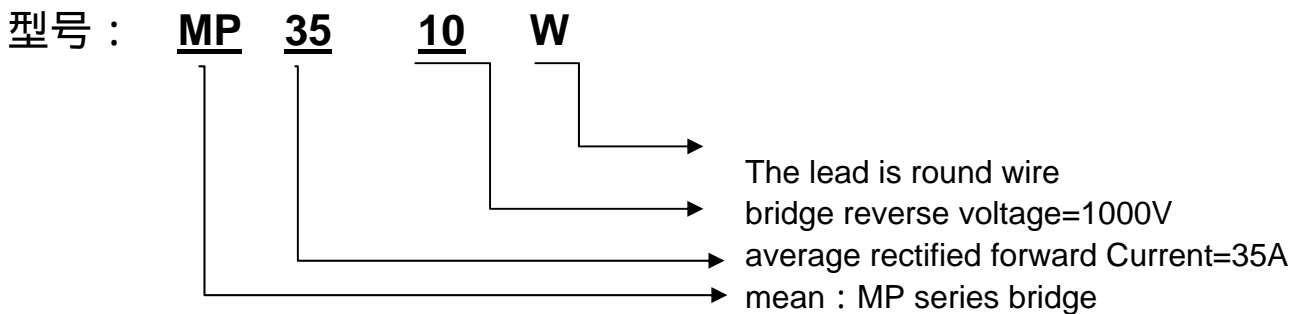
MP351W Thru MP3510W

3. Marking Identification

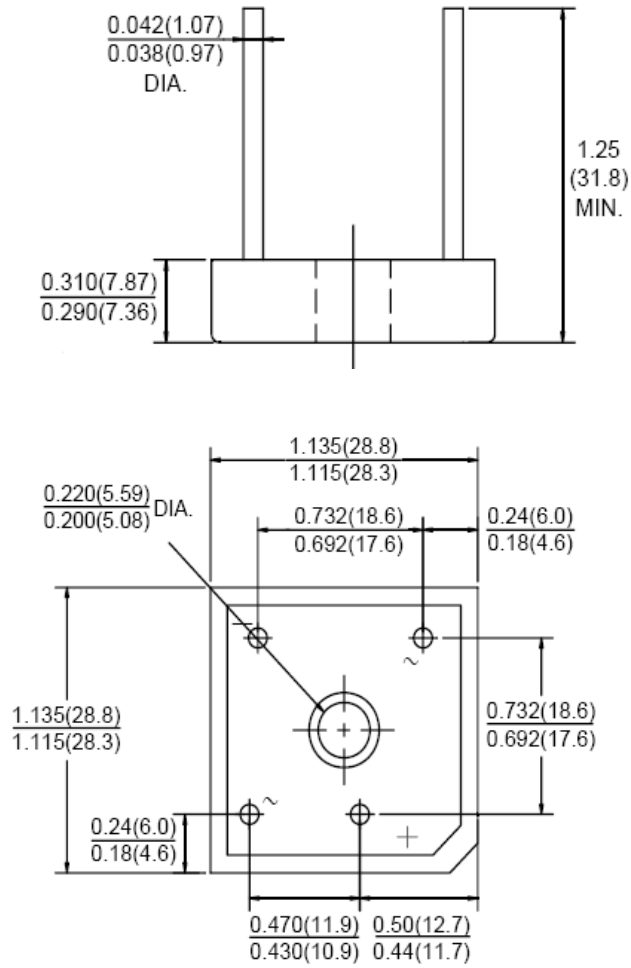


Note :

生产日期码包含4位数字，例如“1018”，前两个数字“10”表示为2010年，另外二个数字“18”是指第18周，即表示该产品为2010年18周生产。



4. Dimension



X-ON Electronics

Largest Supplier of Electrical and Electronic Components

Click to view similar products for [Bridge Rectifiers](#) category:

Click to view products by [Leshan](#) manufacturer:

Other Similar products are found below :

[G3SBA60-E351](#) [GBJ1504-BP](#) [GBU10B-BP](#) [GBU15J-BP](#) [GBU15K-BP](#) [GBU4A-BP](#) [GBU4D-BP](#) [GBU6B-E3/45](#) [GSIB680-E3/45](#) [DB101-BP](#) [DF10SA-E345](#) [RMB2S](#) [RCG](#) [APT30DF100HJ](#) [APT60DF20HJ](#) [B2S-E3/80](#) [BU1506-E351](#) [BU15085S-E345](#) [BU1508-E3/45](#) [BU1510-E3/45](#) [RS404GL-BP](#) [RS405GL-BP](#) [G3SBA20-E3/51](#) [G5SBA20-E3/51](#) [G5SBA60-E3/51](#) [GBJ1502-BP](#) [GBL02-E351](#) [GBL10-E3/45](#) [GBU10J-BP](#) [GBU4J-BP](#) [GBU4K-BP](#) [GBU8B-E3/45](#) [GBU8D-BP](#) [GBU8J-BP](#) [GSIB1520-E3/45](#) [MB1510](#) [MB352W](#) [MB6M-G](#) [B2M-E345](#) [B40C7000A](#) [B500C7000A](#) [MP5010W-BP](#) [MP501W-BP](#) [MP502-BP](#) [BR1005-BP](#) [BR101-BP](#) [BU1006-E345](#) [BU12065S-E3/45](#) [BU1508-E3/51](#) [BU2006-E3/45](#) [BU2008-E345](#)