

STSB302 thru STSB307

low Profile Surface Mount Single Phase Bridge Rectifiers

Reverse Voltage 100 to1000V Forward Current 3.0A

FEATURES

- * Low forward voltage drop
- * Low leakage current
- * Ideal for automated placement
- * Glass passivated standard bridge rectifiers
- * Moisture sensitivity: level 1
- * Low profile, Typical Height 1.4mm
- * High temperature soldering guaranteed:
260°C/10 seconds
- * Weight: 0.195g



Typical Applications

For use of general purpose AC to DC bridge rectification in power supply, charger, office appliance, home appliance and telecom device

We declare that the material of product is Haloggen free (green epoxy compound)

1. Maximum Ratings at 25°C unless otherwise noted

Parameter Symbol	symbol	STSB302	STSB303	STSB304	STSB305	STSB306	STSB307	Unit
device marking code		STSB302	STSB303	STSB304	STSB305	STSB306	STSB307	
Maximum repetitive peak reverse voltage	V_{RRM}	100	200	400	600	800	1000	V
Maximum RMS voltage	V_{RMS}	70	140	280	420	560	700	V
Maximum DC blocking voltage	V_{DC}	100	200	400	600	800	1000	V
Maximum average forward rectified current	$I_{F(AV)}$	3.0						A
Peak forward surge current 8.3ms single half sine-wave superimposed on rated load	I_{FSM}	120						A
Rating for fusing (t<8.3ms)	I^2t	60						A ² sec
Typical thermal resistance (Note 1)	R θ JC	15						°C/W
	R θ JA	75						
Operating junction and storage temperature range	TJ, TSTG	-55 to +150						°C

Electrical Characteristics at 25°C unless otherwise noted

Parameter Symbol	symbol	STSB302	STSB303	STSB304	STSB305	STSB306	STSB307	Unit
Maximum Instantaneous Forward Voltage (IF =3.0Amps, TJ = 25°C)	V_F	1.05						V
Maximum DC reverse current at rated DC blocking voltage TA= 25°C TA =125°C	IR	5						μA
		500						
Typical junction capacitance at 4.0V, 1MHz	CJ	32						PF

NOTES:

1. 16.0mm² (.013mm thick) land areas

STSB302 thru STSB307

2.Ratings and Characteristic Curves (TA = 25°C unless otherwise noted)

Fig. 1 - Forward Current Derating Curve

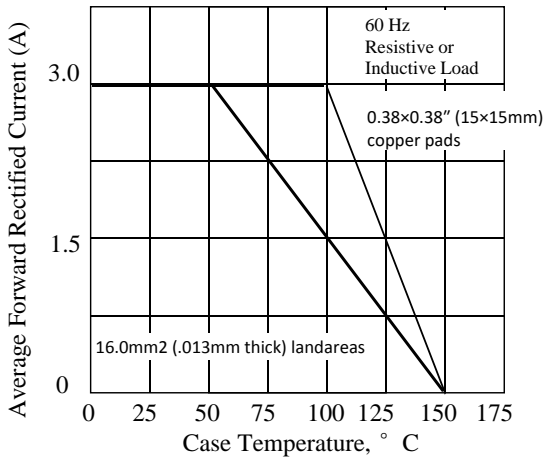


Fig. 7 - Maximum Non-repetitive Peak Forward Surge Current

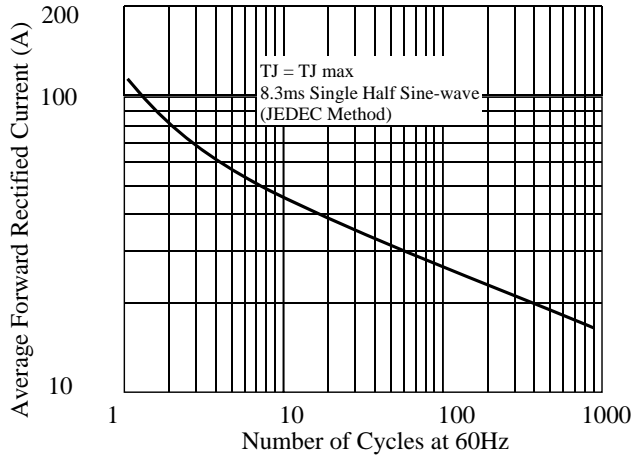


Fig 3. - Typical Instantaneous Forward Characteristics

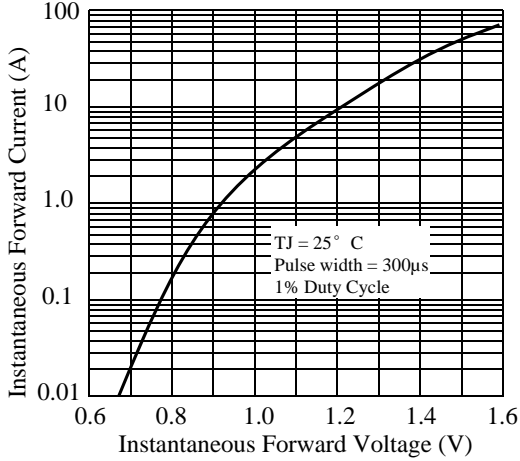


Fig 4. - Typical Reverse Characteristics

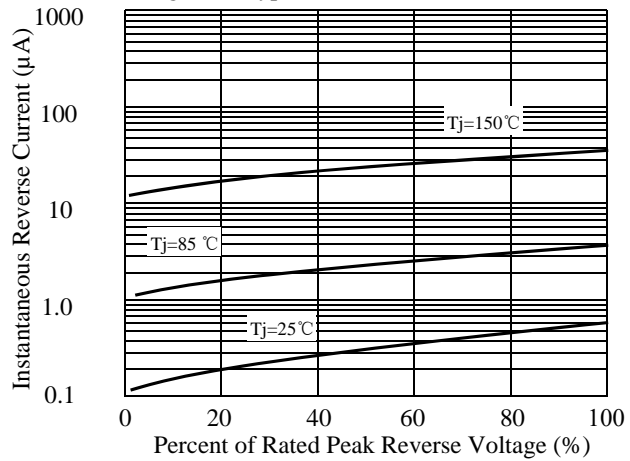


Fig 5. - typical transient thermal impedance

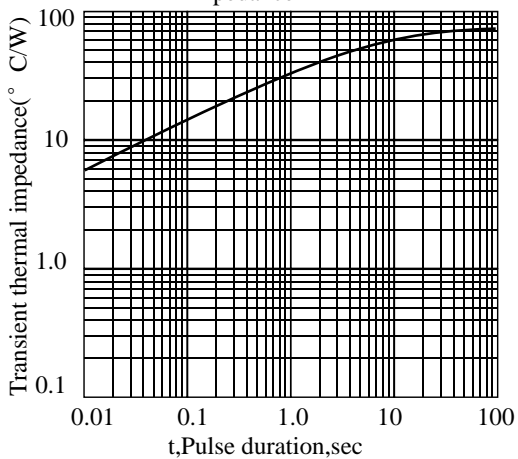
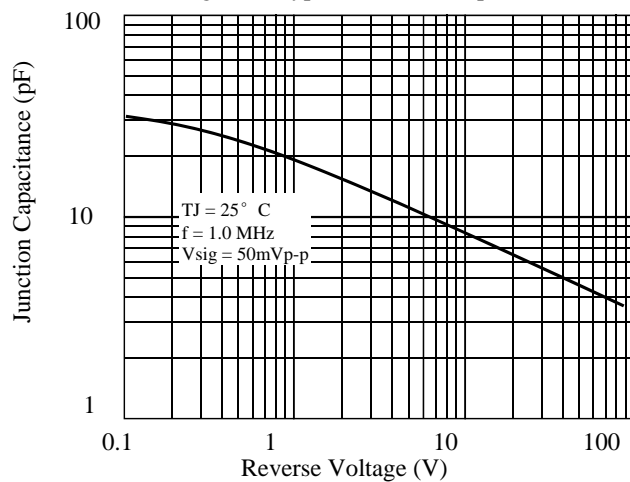


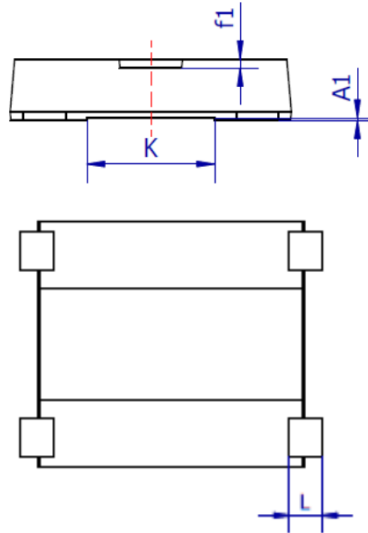
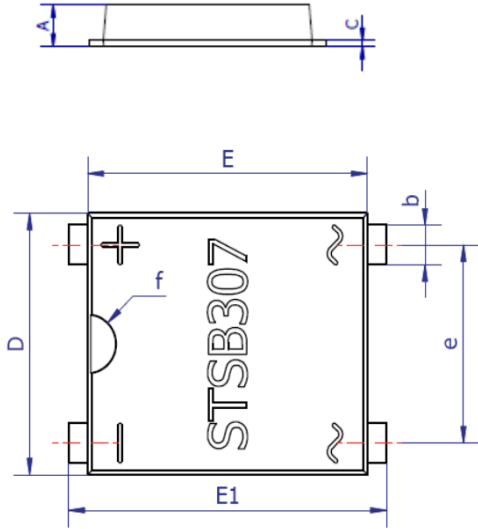
Fig 6. - Typical Junction Capacitance



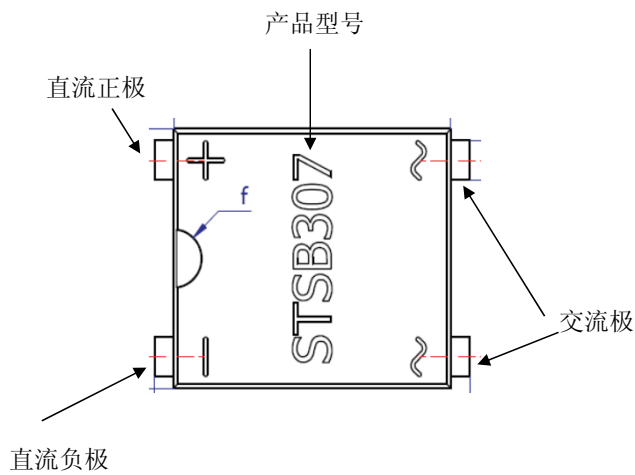
STSB302 thru STSB307

3. dimension:

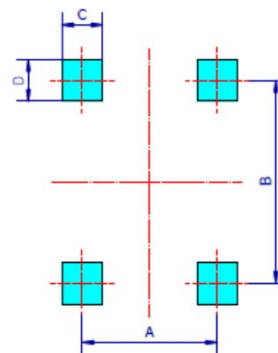
STSB



unit:mm		
Dim	MIN	MAX
A	1.20	1.60
b	0.90	1.10
C	0.15	0.30
D	6.35	6.85
E	7.05	7.55
E1	8.05	8.75
e	4.75	5.30
f	TYP	R0.75
f1	TYP	0.2
A1	TYP	0.05
K	3.75	4.30
L	0.75	1.50



Mounting PAD layout



产品型号说明: ST--小型薄形管体; S--贴片;
B---桥; 30--IF=3.0A;7--VR=1000V;

Dim	MIN	MAX
A	4.75	5.25
B	7.15	7.65
C	1.50	2.50
D	1.50	2.50

X-ON Electronics

Largest Supplier of Electrical and Electronic Components

Click to view similar products for [Bridge Rectifiers](#) category:

Click to view products by [Leshan](#) manufacturer:

Other Similar products are found below :

[MB2510](#) [MB252](#) [MB356G](#) [MB358G](#) [GBJ1504-BP](#) [GBU10B-BP](#) [GBU15K-BP](#) [GBU4A-BP](#) [GBU4D-BP](#) [GBU6B-E3/45](#) [DB101-BP](#) [DF01](#)
[DF10SA-E345](#) [BU1508-E3/45](#) [BU1510-E3/45](#) [KBPC50-10S](#) [RS405GL-BP](#) [GBJ1502-BP](#) [GBU6M](#) [GSIB1520-E3/45](#) [36MB140A](#) [TB102M](#)
[MB1510](#) [MB86](#) [TL401G](#) [MDA920A2](#) [TU602](#) [TU810](#) [MP5010W-BP](#) [MP501W-BP](#) [MP502-BP](#) [BR84DTP204](#) [BU1508-E3/51](#) [KBPC25-02](#)
[VS-110MT120KPBF](#) [VS-2KBB60](#) [VS-60MT120KPBF](#) [VS-60MT80KPBF](#) [DB105-BP](#) [DF1510S](#) [VS-40MT160PAPBF](#) [VISKBU8K-E4/51](#)
[36MT100](#) [GBU4G-BP](#) [GBU6B-E3/51](#) [DF15005S-E3/77](#) [GSIB15A80-E3/45](#) [DB104-BP](#) [D3SB60](#) [TB354](#)