

## PHOTOVOLTAIC MOSFET DRIVER

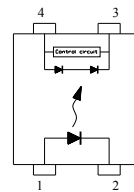
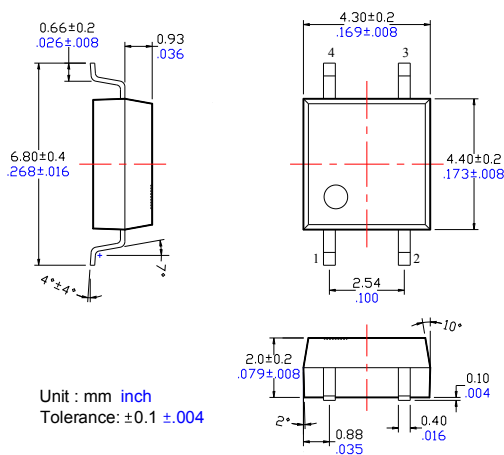
### Features

- SOP package 4 Pin type in miniature design (4.4×4.3×2.0mm / .173×.169×.083inch)
- High-speed switching
- 2500Vrms Input/Output isolation
- Tape & Reel version available

### Applications

- MOS FET and IGBT driver
- Power supply (Vcc) for electronic circuits

### Outline Dimensions



1. LED Anode
2. LED Cathode
3. Cathode
4. Anode

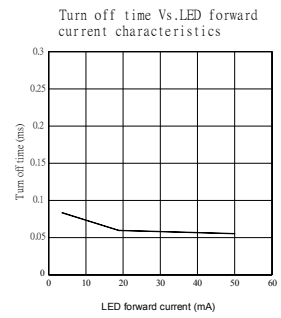
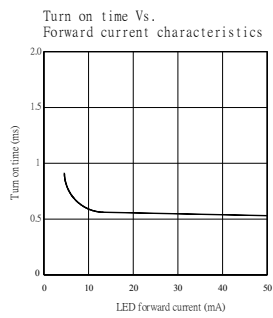
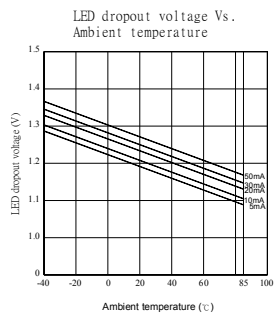
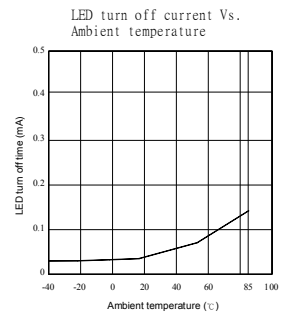
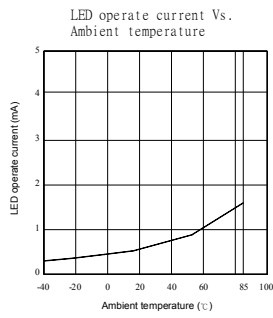
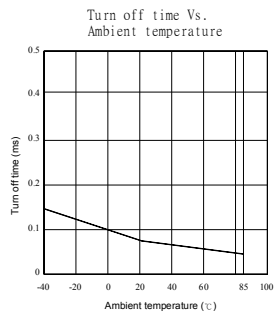
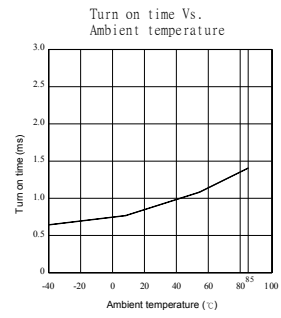
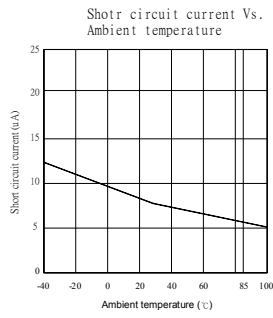
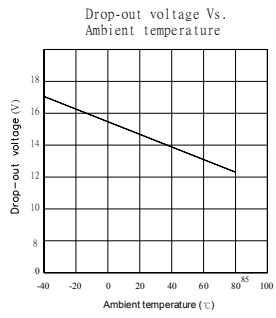
**PHOTOVOLTAIC MOSFET DRIVER****Part Name: LTP-2G5****Absolute Maximum Ratings (Ambient Temperature: 25°C)**

Item	Symbol	Value	Units	Note
Input	Continuous LED Current	I <sub>F</sub>	50	mA
	Peak LED Current	I <sub>FP</sub>	1000	mA f=100Hz, duty=1%
	LED Reverse Voltage	V <sub>R</sub>	5	V
	Input Power Dissipation	P <sub>In</sub>	75	mW
I/O Breakdown Voltage	V <sub>I/O</sub>	2500	V <sub>rms</sub>	RH=60%, 1min
Operating Temperature	T <sub>Opr</sub>	-40 to +85	°C	
Storage Temperature	T <sub>Stg</sub>	-40 to +100	°C	

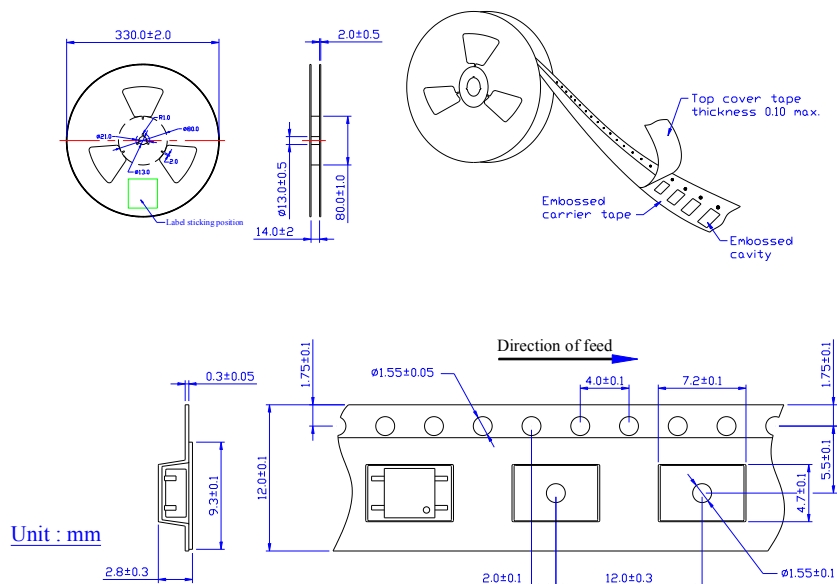
**Electrical Specifications (Ambient Temperature: 25°C)**

Item	Symbol	MIN.	TYP.	MAX.	Units	Conditions
Input	LED Forward Voltage	V <sub>F</sub>	1.2	1.4	V	I <sub>F</sub> =10mA
	Operation LED Current	I <sub>F On</sub>	0.5	3.0	mA	V <sub>oc</sub> =5V
	Recovery LED Current	I <sub>F Off</sub>	0.35	0.5	mA	V <sub>oc</sub> =1V
Output	Drop-out Voltage	V <sub>oc</sub>	10	16	V	I <sub>F</sub> =10mA
	Short Circuit Current	I <sub>sc</sub>	3	8	uA	I <sub>F</sub> =10mA
Transmis sion	Turn-On Time	T <sub>On</sub>	0.28		ms	I <sub>F</sub> =10mA
	Turn-Off Time	T <sub>Off</sub>	0.05		ms	C <sub>L</sub> =1000pF
Coupled	I/O Isolation Resistance	R <sub>I/O</sub>	10 <sup>10</sup>		Ω	DC500V
	I/O Capacitance	C <sub>I/O</sub>	0.8	1.5	pF	f=1MHz

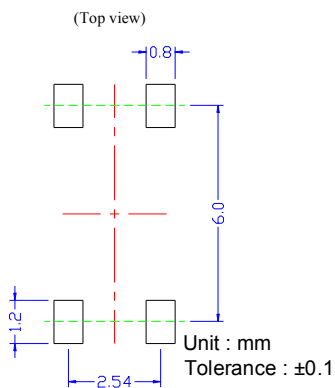
## Reference Data



## Taping Specifications for Surface Mount Devices

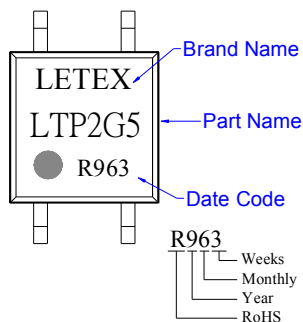


### Recommended Mounting Pad



### Marking

(Each photo MOS Relay shall be marked with the following information)



- Note: 1. There shall be leader of 230 mm minimum which may consist of carrier and or cover tape follower by a minimum of 160 mm of carrier tape sealed with cover tape.
2. There shall be a minimum of 160 mm of empty component pockets sealed with cover tape.
3. Devices are pockets in accordance with EIA standard EIA-481-A and specifications given above.
4. Packaging: 2,000pcs per reel, 2 reel per box, 5 boxes per carton.

## X-ON Electronics

Largest Supplier of Electrical and Electronic Components

*Click to view similar products for [Photodiode Output Optocouplers](#) category:*

*Click to view products by [Letex Technology](#) manufacturer:*

Other Similar products are found below :

[TLP590B\(C,F\)](#) [TLP7820\(A-LF4.E\(O](#) [LTV-244-GB-G](#) [LTV2301GB-V-G](#) [EL816S1\(C\)\(TU\)](#) [EL817S1\(C\)\(TU\)-VG](#) [GX357NC](#) [PC817B](#)  
[PC817C](#) [LTV-341W-TA1-H](#) [LTV-176G](#) [LTV-1003-TP1-G](#) [LTV-247-G-RT](#) [PC817B-MS](#) [FOC-817C-F](#) [CYPS2501-1\(K\)](#)  
[CYTLP2362\(TPD2\)](#) [OR-3H7C-TP-G-\(GK\)](#) [ORPC-817MC-F](#) [ORPC-817D-C](#) [ORPC-817SB-TP-F](#) [PS2801C-4-F3-A/M](#) [PC817B](#)  
[TLP183\(YH-TPL,E\(T](#) [TLP183\(GRH-TPL,E\(T](#) [TLP183\(TPL,E\(T](#) [TLP184\(V4GBTL,SE\(T](#) [TLP785\(BLL-TP6,F\(C](#) [TLP293\(GRH-TPL,E\(T](#)  
[TLP383\(D4GL-TR,E](#) [TLP185\(BLL-TL,SE\(T](#) [TLP2309\(TPL,E\(O](#) [TLP785\(BL-TP6,F\(C](#) [TLP185\(GRL-TL,SE\(T](#) [TLP785\(GR-TP6,F\(C](#)  
[TLP183\(BL-TPL,E\(T](#) [TLP2398\(TPL,E\(T](#) [TLP127GB-S](#) [LTV-354T-A\(UMW\)](#) [6N136S\(UMW\)](#) [PC817B-S](#) [FOC-817C](#) [EL1018](#) [LTV-214-](#)  
[TP1-AK-G](#) [LTV-316J-TP1](#) [PC817C-MS](#) [CYTLP181\(GR-TP\)](#) [CYPC357\(C-TR\)](#) [CYPC356\(B-TP\)](#) [CYPC357\(B-TP\)](#)