

## General Description:

The LWT1H6AM uses SGT technology and design to provide excellent  $R_{DS(ON)}$  with low gate charge. It can be used in a wide variety of applications. The package form is SOT23, which accords with the ROHS standard and Halogen Free standard.

## Features:

- Fast Switching
- Low Gate Charge and  $R_{DS(ON)}$
- Low Reverse transfer capacitances

## Applications:

- DC-DC Converter
- Portable Equipment
- Power Management



## Package Marking and Ordering Information:

Marking	Part Number	Package	Packing	Qty.
T1H6A	LWT1H6AM	SOT23	Reel	3000 Pcs

## Absolute Maximum Ratings:

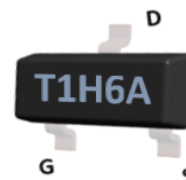
Symbol	Parameter	Value	Units
$V_{DSS}$	Drain-to-Source Voltage	100	V
$I_D$	Continuous Drain Current	$T_C=25^\circ\text{C}$	4.0
	Continuous Drain Current	$T_C=100^\circ\text{C}$	2.5
$I_{DM}^{al}$	Pulsed Drain Current	12	A
$V_{GS}$	Gate-to-Source Voltage	$\pm 20$	V
$P_D$	Power Dissipation	2.0	W
$T_J, T_{STG}$	Operating Junction and Storage Temperature Range	150, -55 to 150	$^\circ\text{C}$
$T_L$	Maximum Temperature for Soldering	260	$^\circ\text{C}$

## Thermal Characteristics:

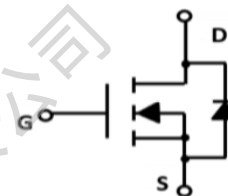
Symbol	Parameter	Value	Units
$R_{\theta JA}$	Thermal Resistance, Junction-to-Ambient	62.5	$^\circ\text{C}/\text{W}$

$V_{DSS}$	100	V
$I_D$	4.0	A
$P_D$	2.0	W
$R_{DS(ON) \text{ TYPE}}$	100	$\text{m}\Omega$

## Marking and Pin Assignment



## Inner Equivalent Principium Chart



**Electrical Characteristic** ( $T_A = 25\text{ }^\circ\text{C}$ , unless otherwise specified):

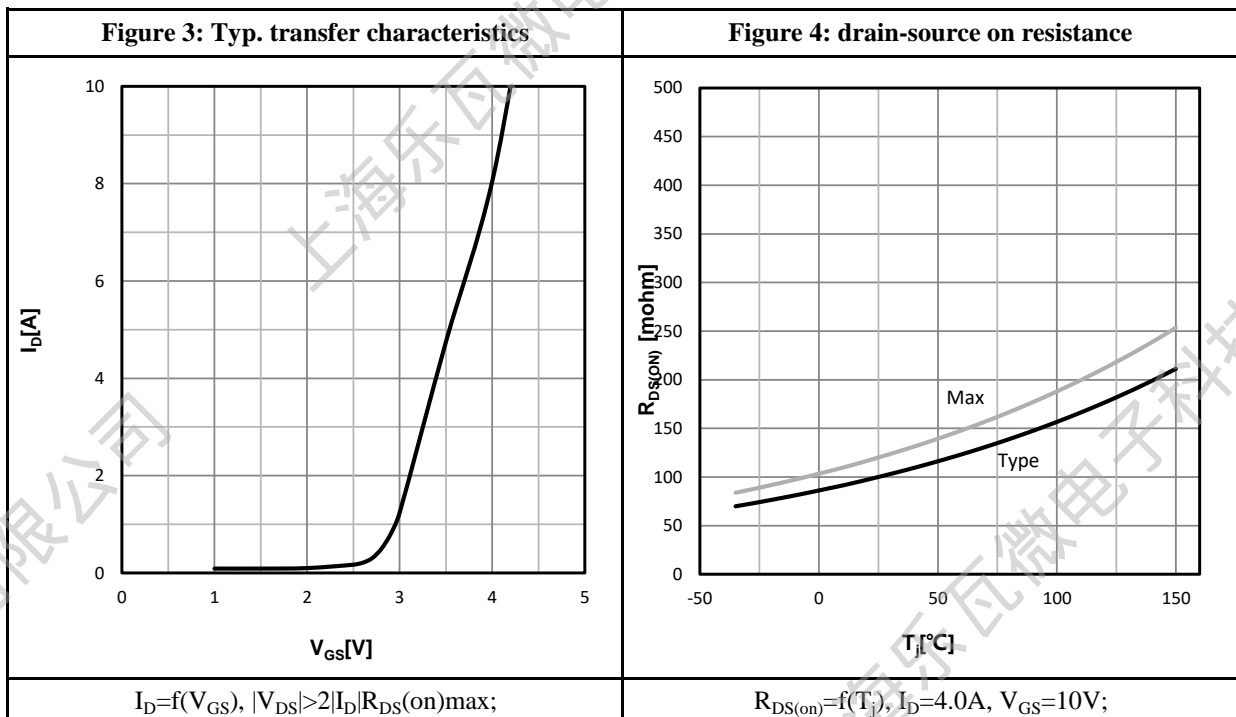
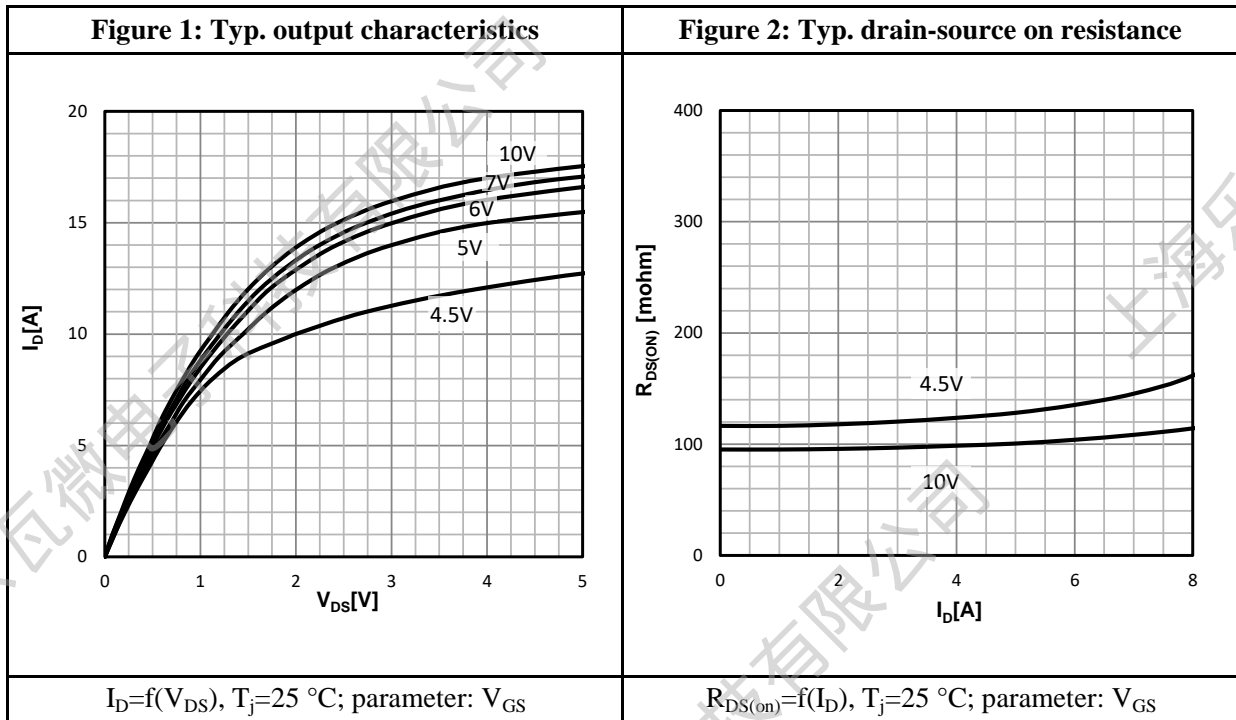
Static Characteristics						
Symbol	Parameter	Test Conditions	Value			Units
			Min.	Typ.	Max.	
$V_{DSS}$	Drain to Source Breakdown Voltage	$V_{GS}=0V, I_D=250\mu A$	100	--	--	V
$I_{DSS}$	Drain to Source Leakage Current	$V_{DS}=100V, V_{GS}=0V$	--	--	1.0	$\mu A$
$I_{GSS(F)}$	Gate to Source Forward Leakage	$V_{GS}=+20V, V_{DS}=0V$	--	--	100	nA
$I_{GSS(R)}$	Gate to Source Reverse Leakage	$V_{GS}=-20V, V_{DS}=0V$	--	--	-100	nA
$V_{GS(TH)}$	Gate Threshold Voltage	$V_{DS}=V_{GS}, I_D=250\mu A$	1.3	1.8	2.4	V
$R_{DS(ON)1}$	Drain-to-Source On-Resistance	$V_{GS}=10V, I_D=4.0A$	--	100	120	m $\Omega$
$R_{DS(ON)2}$	Drain-to-Source On-Resistance	$V_{GS}=4.5V, I_D=3.0A$	--	120	145	m $\Omega$

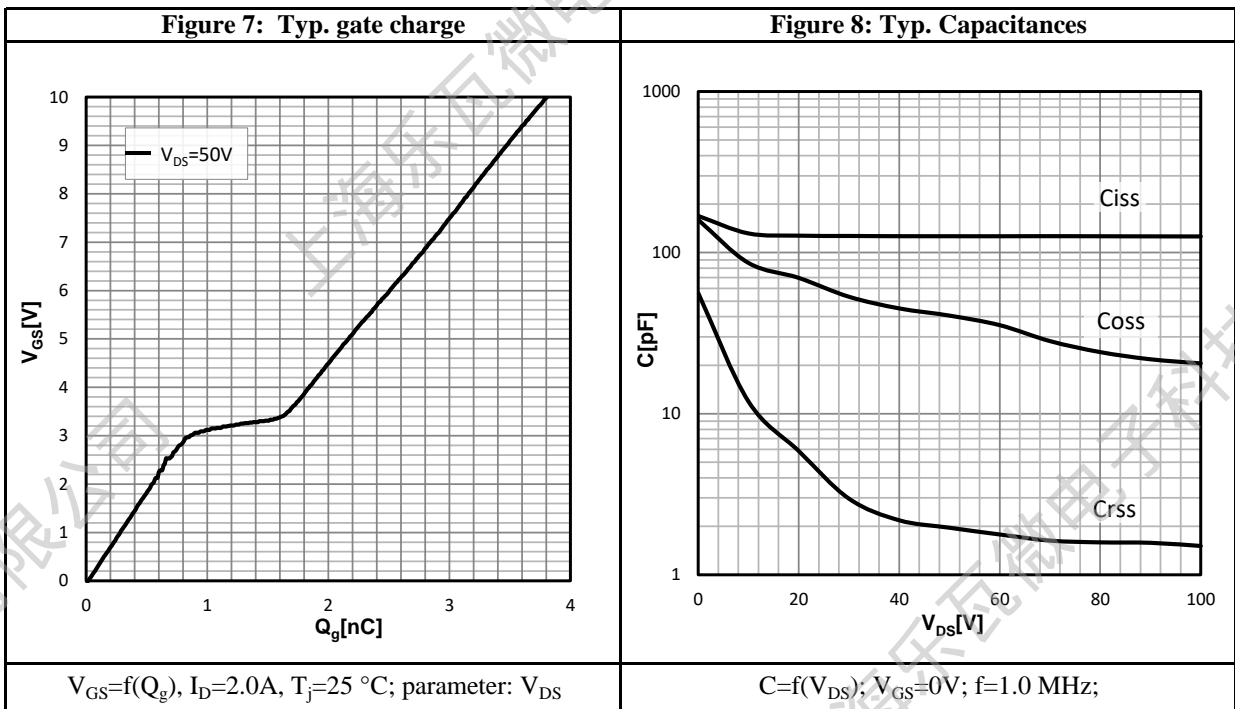
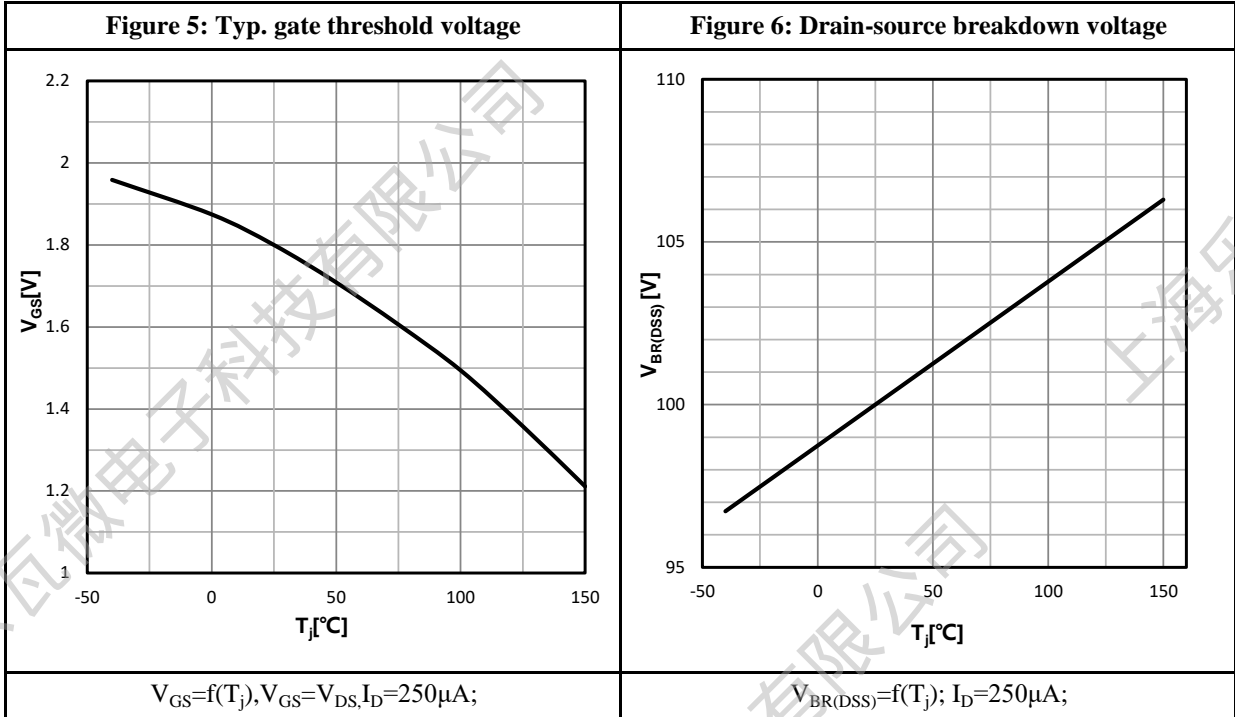
Dynamic Characteristics						
Symbol	Parameter	Test Conditions	Value			Units
			Min.	Typ.	Max.	
$C_{iss}$	Input Capacitance	$V_{GS} = 0V$	--	126	--	pF
$C_{oss}$	Output Capacitance	$V_{DS} = 50V$	--	40.6	--	
$C_{riss}$	Reverse Transfer Capacitance	$f = 1.0MHz$	--	1.96	--	
$R_G$	Gate resistance	$V_{GS}=0V, V_{DS}$ Open	--	5.8	--	$\Omega$

Resistive Switching Characteristics						
Symbol	Parameter	Test Conditions	Value			Units
			Min.	Typ.	Max.	
$t_{d(ON)}$	Turn-on Delay Time	$I_D = 2.0A$	--	4.5	--	ns
$t_r$	Rise Time	$V_{DS} = 50V$	--	1.5	--	
$t_{d(OFF)}$	Turn-Off Delay Time	$V_{GS} = 10V$	--	8.0	--	
$t_f$	Fall Time	$R_G = 5.0\Omega$	--	3.4	--	
$Q_g$	Total Gate Charge	$V_{GS} = 10V$	--	3.81	--	nC
$Q_{gs}$	Gate Source Charge	$V_{DS} = 50V$	--	0.52	--	
$Q_{gd}$	Gate Drain Charge	$I_D = 2.0A$	--	0.71	--	

Source-Drain Diode Characteristics						
Symbol	Parameter	Test Conditions	Value			Units
			Min.	Typ.	Max.	
$I_S$	Diode Forward Current	$T_C = 25\text{ }^\circ\text{C}$	--	--	4.0	A
$V_{SD}$	Diode Forward Voltage	$I_S=2.0A, V_{GS}=0V$	--	--	1.2	V

a1: Repetitive rating; pulse width limited by maximum junction temperature

**Characteristics Curve:**




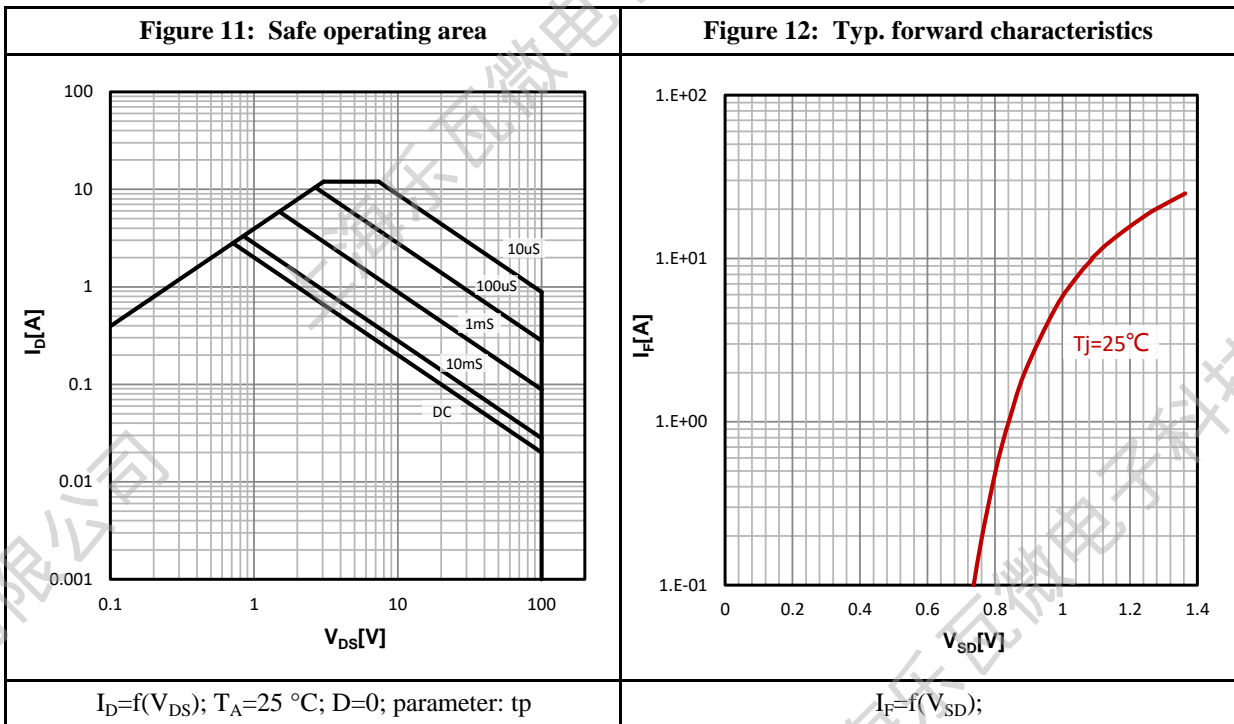
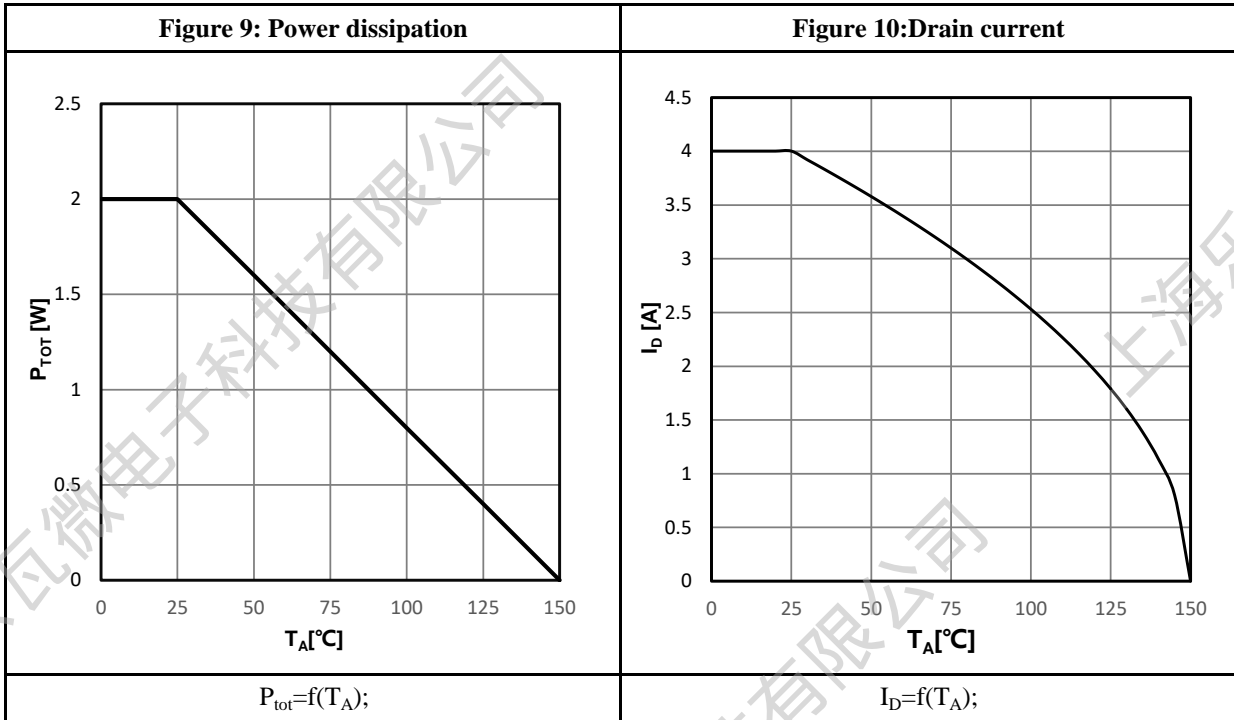
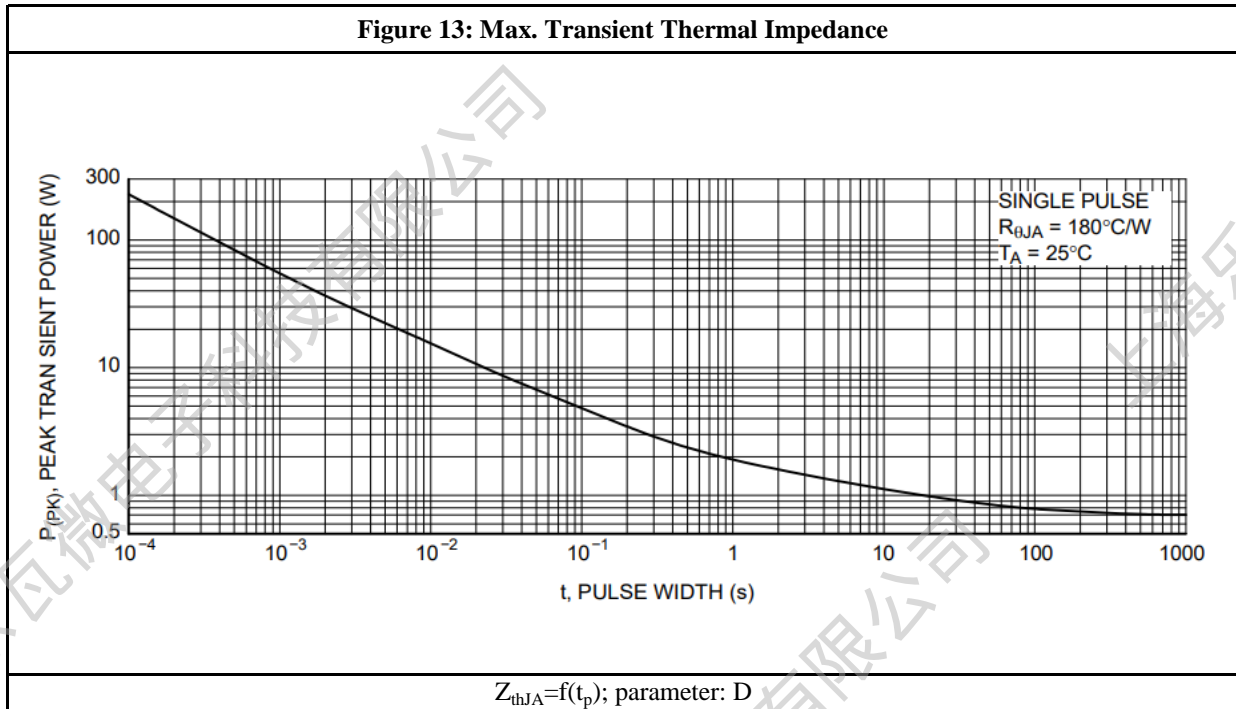
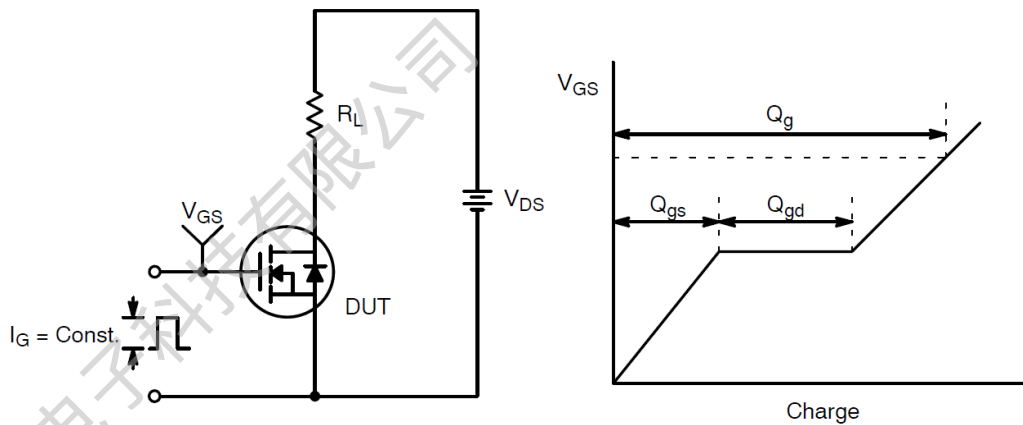
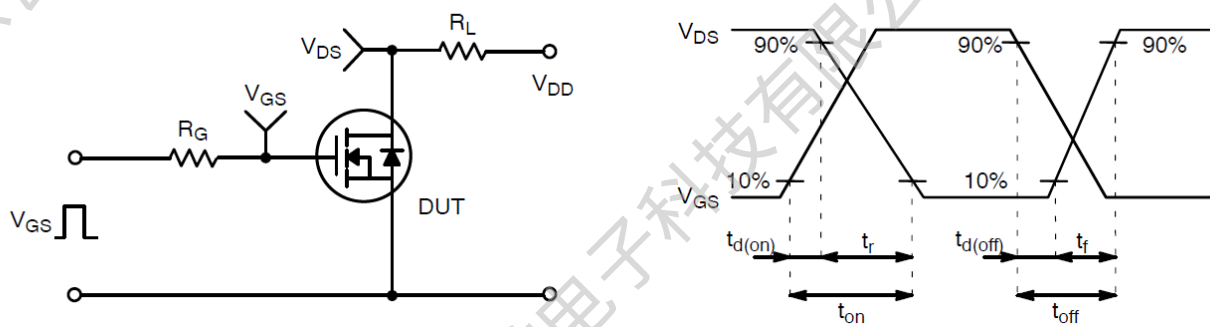
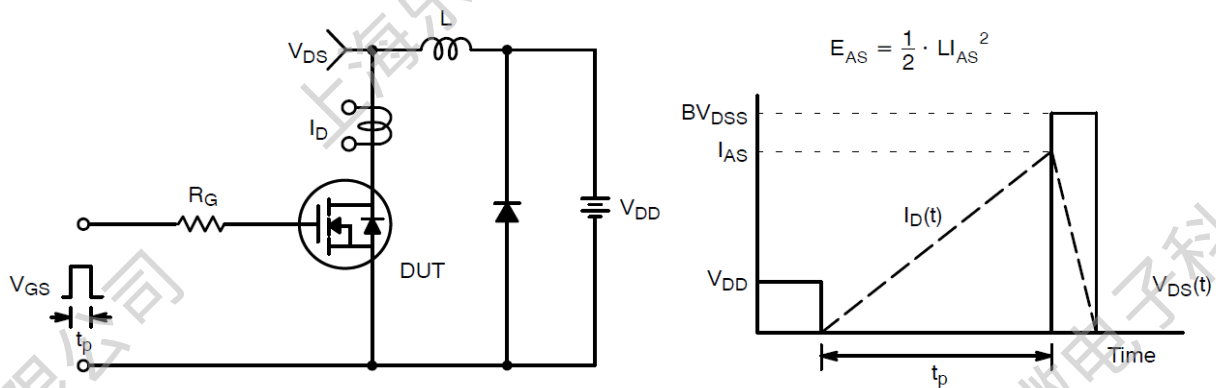
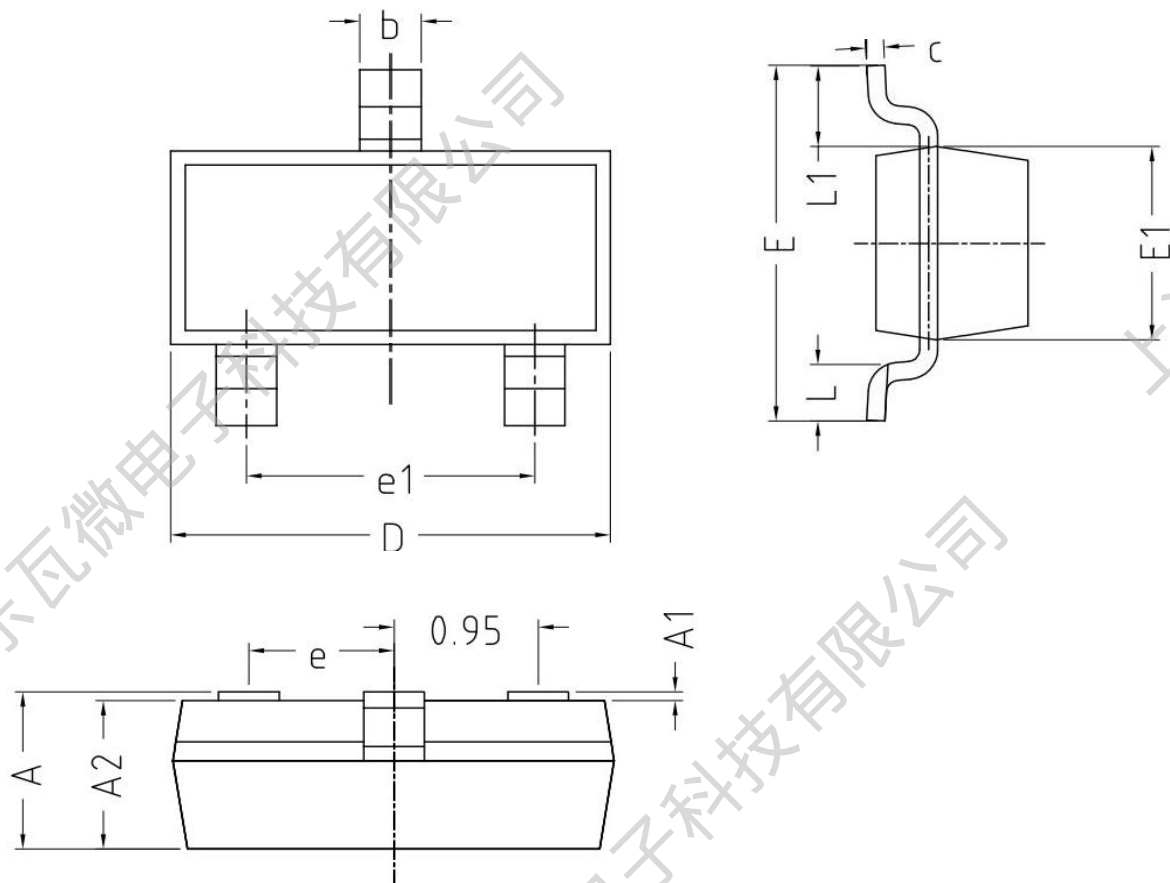


Figure 13: Max. Transient Thermal Impedance



**Test Circuit & Waveform:**

**Figure 14: Gate Charge Test Circuit & Waveform**

**Figure 15: Resistive Switching Test Circuit & Waveforms**

**Figure 16: Unclamped Inductive Switching Test Circuit & Waveforms**

**Package Outline:**

**COMMON IN DIMENSION (MM)**

Symbol	Min.	Nom.	Max.
<b>A</b>	0.900	1.050	1.150
<b>A1</b>	0.000	0.050	0.100
<b>A2</b>	0.900	1.000	1.050
<b>b</b>	0.300	0.400	0.500
<b>C</b>	0.100	0.130	0.200
<b>D</b>	2.800	2.900	3.000
<b>E</b>	2.250	2.400	2.550
<b>E1</b>	1.200	1.300	1.400
<b>e</b>	0.950 TYP		
<b>e1</b>	1.800	1.900	2.000
<b>L</b>	0.290	0.390	0.490
<b>L1</b>	0.550REF		



**Revision History:**

<b>Revison</b>	<b>Date</b>	<b>Descriptions</b>
Rev 1.0	Feb.2024	Initial Version

**Disclaimer:**

The information in this document is believed to be accurate and reliable. However, no responsibility is assumed by LW-Micro for its use. All operating parameters must be designed, validated and tested to ensure they meet the requirements of your application. LW-Micro reserves the right to make any specification and/or circuitry changes without prior notification. Before starting a brand-new project, please contact LW-Micro Sales to get the most recent relevant information.

Mailing Address: Room 301, Building 2, No.1690 CaiLun Road, China (Shanghai) Pilot Free Trade Zone  
Shanghai Lewa Micro-electronics Technology Co., Ltd

## X-ON Electronics

Largest Supplier of Electrical and Electronic Components

*Click to view similar products for [MOSFET](#) category:*

*Click to view products by [Lewa Micro](#) manufacturer:*

Other Similar products are found below :

[IRFD120](#) [IRFY240C](#) [JANTX2N5237](#) [2SK2267\(Q\)](#) [BUK455-60A/B](#) [MIC4420CM-TR](#) [VN1206L](#) [NDP4060](#) [SI4482DY](#)  
[IPS70R2K0CEAKMA1](#) [SQD23N06-31L-GE3](#) [TK16J60W,S1VQ\(O](#) [2SK2614\(TE16L1,Q\)](#) [DMN1017UCP3-7](#) [EFC2J004NUZTDG](#)  
[DMN1053UCP4-7](#) [SQJ469EP-T1-GE3](#) [NTE2384](#) [DMC2700UDMQ-7](#) [DMN2080UCB4-7](#) [DMN61D9UWQ-13](#) [US6M2GTR](#)  
[DMN31D5UDJ-7](#) [DMP22D4UFO-7B](#) [DMN1006UCA6-7](#) [DMN16M9UCA6-7](#) [STF5N65M6](#) [IRF40H233XTMA1](#) [STU5N65M6](#)  
[DMN6022SSD-13](#) [DMN13M9UCA6-7](#) [DMTH10H4M6SPS-13](#) [DMN2990UFB-7B](#) [IPB80P04P405ATMA2](#) [2N7002W-G](#) [MCAC30N06Y-](#)  
[TP](#) [MCQ7328-TP](#) [NTMC083NP10M5L](#) [NVMFS2D3P04M8LT1G](#) [BXP7N65D](#) [BXP4N65F](#) [AOL1454G](#) [WMJ80N60C4](#) [BXP2N20L](#)  
[BXP2N65D](#) [BXT1150N10J](#) [BXT1700P06M](#) [TSM60NB380CP](#) [ROG](#) [RQ7L055BGTCR](#) [DMNH15H110SK3-13](#)