

1SMA4728A-1SMA4764A

Surface Mount Zener Diodes

V_Z : 3.3 - 100Volts

P_D : 1 Watt



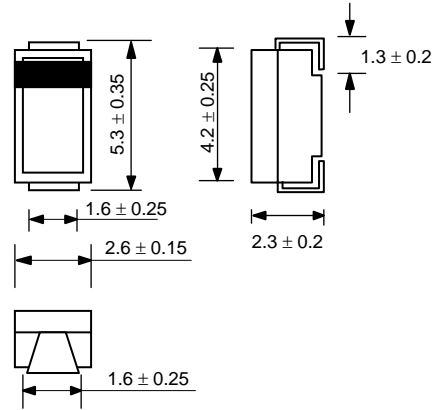
Features

- ◇ Complete voltage range 3.3 to 100 volts
- ◇ High peak reverse power dissipation
- ◇ High reliability
- ◇ Low leakage current
- ◇ Standard zener voltage tolerance is $\pm 5\%$.
- ◇ **Pb / RoHS Free**

Mechanical Data

- ◇ Case : SMA Molded plastic
- ◇ Epoxy : UL94V-O rate flame retardant
- ◇ Polarity : Color band denotes cathode end
- ◇ Mounting position : Any
- ◇ Weight : 0.060 gram (Approximately)

SMA



Dimensions in millimeters

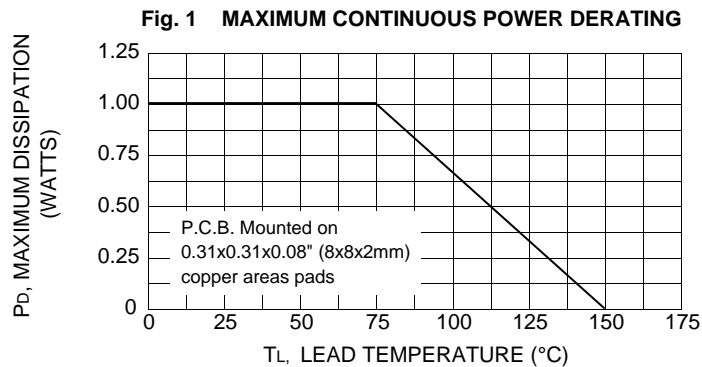
MAXIMUM RATINGS

Rating at 25 °C ambient temperature unless otherwise specified

| Rating | Symbol | Value | Unit |
|--|--------|---------------|------|
| DC Power Dissipation at $T_L = 75\text{ °C}$ (Note1) | P_D | 1.0 | W |
| Maximum Forward Voltage at $I_F = 200\text{ mA}$ | V_F | 1.2 | V |
| Junction Temperature Range | T_J | - 55 to + 150 | °C |
| Storage Temperature Range | T_S | - 55 to + 150 | °C |

Note :

- (1) P.C.B. Mounted on 0.31x0.31x0.08" (8x8x2mm) copper areas pads.



1SMA4728A-1SMA4764A

Surface Mount Zener Diodes

ELECTRICAL CHARACTERISTICS

Rating at 25 °C ambient temperature unless otherwise specified

| Type | Device Marking | Nominal Zener Voltage | | Maximum Zener Impedance | | | Maximum Reverse Leakage Current | | Maximum DC Zener Current | Maximum Surge Current |
|-----------|----------------|-----------------------|----------|-------------------------|-------------------|----------|---------------------------------|------|--------------------------|-----------------------|
| | | $V_Z @ I_{ZT}$ | I_{ZT} | $Z_{ZT} @ I_{ZT}$ | $Z_{ZK} @ I_{ZK}$ | I_{ZK} | $I_R @ V_R$ | | I_{ZM} | $I_{RM}^{(2)}$ |
| | | (V) | (mA) | (Ω) | (Ω) | (mA) | (μ A) | (V) | (mA) | (mApk) |
| 1SMA4728A | 728A | 3.3 | 76.0 | 10 | 400 | 1.0 | 100 | 1.0 | 276 | 1380 |
| 1SMA4729A | 729A | 3.6 | 69.0 | 10 | 400 | 1.0 | 100 | 1.0 | 252 | 1260 |
| 1SMA4730A | 730A | 3.9 | 64.0 | 9.0 | 400 | 1.0 | 50 | 1.0 | 234 | 1190 |
| 1SMA4731A | 731A | 4.3 | 58.0 | 9.0 | 400 | 1.0 | 10 | 1.0 | 217 | 1070 |
| 1SMA4732A | 732A | 4.7 | 53.0 | 8.0 | 500 | 1.0 | 10 | 1.0 | 193 | 970 |
| 1SMA4733A | 733A | 5.1 | 49.0 | 7.0 | 550 | 1.0 | 10 | 1.0 | 178 | 890 |
| 1SMA4734A | 734A | 5.6 | 45.0 | 5.0 | 600 | 1.0 | 10 | 2.0 | 162 | 810 |
| 1SMA4735A | 735A | 6.2 | 41.0 | 2.0 | 700 | 1.0 | 10 | 3.0 | 146 | 730 |
| 1SMA4736A | 736A | 6.8 | 37.0 | 3.5 | 700 | 1.0 | 10 | 4.0 | 133 | 660 |
| 1SMA4737A | 737A | 7.5 | 34.0 | 4.0 | 700 | 0.5 | 10 | 5.0 | 121 | 605 |
| 1SMA4738A | 738A | 8.2 | 31.0 | 4.5 | 700 | 0.5 | 10 | 6.0 | 110 | 550 |
| 1SMA4739A | 739A | 9.1 | 28.0 | 5.0 | 700 | 0.5 | 10 | 7.0 | 100 | 500 |
| 1SMA4740A | 740A | 10 | 25.0 | 7.0 | 700 | 0.25 | 10 | 7.6 | 91 | 454 |
| 1SMA4741A | 741A | 11 | 23.0 | 8.0 | 700 | 0.25 | 5.0 | 8.4 | 83 | 414 |
| 1SMA4742A | 742A | 12 | 21.0 | 9.0 | 700 | 0.25 | 5.0 | 9.1 | 76 | 380 |
| 1SMA4743A | 743A | 13 | 19.0 | 10 | 700 | 0.25 | 5.0 | 9.9 | 69 | 344 |
| 1SMA4744A | 744A | 15 | 17.0 | 14 | 700 | 0.25 | 5.0 | 11.4 | 61 | 305 |
| 1SMA4745A | 745A | 16 | 15.5 | 16 | 700 | 0.25 | 5.0 | 12.2 | 57 | 285 |
| 1SMA4746A | 746A | 18 | 14.0 | 20 | 750 | 0.25 | 5.0 | 13.7 | 50 | 250 |
| 1SMA4747A | 747A | 20 | 12.5 | 22 | 750 | 0.25 | 5.0 | 15.2 | 45 | 225 |
| 1SMA4748A | 748A | 22 | 11.5 | 23 | 750 | 0.25 | 5.0 | 16.7 | 41 | 205 |
| 1SMA4749A | 749A | 24 | 10.5 | 25 | 750 | 0.25 | 5.0 | 18.2 | 38 | 190 |
| 1SMA4750A | 750A | 27 | 9.5 | 35 | 750 | 0.25 | 5.0 | 20.6 | 34 | 170 |
| 1SMA4751A | 751A | 30 | 8.5 | 40 | 1000 | 0.25 | 5.0 | 22.8 | 30 | 150 |
| 1SMA4752A | 752A | 33 | 7.5 | 45 | 1000 | 0.25 | 5.0 | 25.1 | 27 | 135 |
| 1SMA4753A | 753A | 36 | 7.0 | 50 | 1000 | 0.25 | 5.0 | 27.4 | 25 | 125 |
| 1SMA4754A | 754A | 39 | 6.5 | 60 | 1000 | 0.25 | 5.0 | 29.7 | 23 | 115 |
| 1SMA4755A | 755A | 43 | 6.0 | 70 | 1500 | 0.25 | 5.0 | 32.7 | 22 | 110 |
| 1SMA4756A | 756A | 47 | 5.5 | 80 | 1500 | 0.25 | 5.0 | 35.8 | 19 | 95 |
| 1SMA4757A | 757A | 51 | 5.0 | 95 | 1500 | 0.25 | 5.0 | 38.8 | 18 | 90 |
| 1SMA4758A | 758A | 56 | 4.5 | 110 | 2000 | 0.25 | 5.0 | 42.6 | 16 | 80 |
| 1SMA4759A | 759A | 62 | 4.0 | 125 | 2000 | 0.25 | 5.0 | 47.1 | 14 | 70 |
| 1SMA4760A | 760A | 68 | 3.7 | 150 | 2000 | 0.25 | 5.0 | 51.7 | 13 | 65 |
| 1SMA4761A | 761A | 75 | 3.3 | 175 | 2000 | 0.25 | 5.0 | 56.0 | 12 | 60 |
| 1SMA4762A | 762A | 82 | 3.0 | 200 | 3000 | 0.25 | 5.0 | 62.2 | 11 | 55 |
| 1SMA4763A | 763A | 91 | 2.8 | 250 | 3000 | 0.25 | 5.0 | 69.2 | 10 | 50 |
| 1SMA4764A | 764A | 100 | 2.5 | 350 | 3000 | 0.25 | 5.0 | 76.0 | 9.0 | 45 |

Notes :

- (1) The type number listed have a standard tolerance on the nominal zener voltage of $\pm 5\%$.
- (2) The reverse surge current is a non-repetitive, 8.3ms pulse width square wave or equivalent sine-wave superimposed on I_{ZT} per JEDEC Method

X-ON Electronics

Largest Supplier of Electrical and Electronic Components

Click to view similar products for [Zener Diodes](#) category:

Click to view products by [LGE](#) manufacturer:

Other Similar products are found below :

[RKZ13B2KG#P1](#) [DL5234B](#) [EDZTE6113B](#) [1N4682](#) [1N4691](#) [1N4693](#) [1N4732A](#) [1N4736A](#) [1N4750A](#) [1N4759ARL](#) [1N5241B](#) [1N5365B](#)
[1N5369B](#) [1N747A](#) [1N959B](#) [1N964B](#) [1N966B](#) [1N968B](#) [1N972B](#) [NTE5121A](#) [NTE5147A](#) [NTE5152A](#) [NTE5155A](#) [NTE5164A](#)
[JANS1N4974US](#) [1N4692](#) [1N4700](#) [1N4702](#) [1N4704](#) [1N4711](#) [1N4714](#) [1N4737A](#) [1N4745ARL](#) [1N4752A](#) [1N4752ARL](#) [1N4760ARL](#)
[1N5221B](#) [1N5236B](#) [1N5241BTR](#) [1N5242BTR](#) [1N5350B](#) [1N5352B](#) [1N961BRR1](#) [1N964BRL](#) [RKZ5.1BKU#P6](#) [3SMAJ5946B-TP](#)
[3SMAJ5950B-TP](#) [3SMBJ5925B-TP](#) [441774C](#) [BZX84C3V9](#)