

FEATURES

- Rating to 1000V PRV
- Surge overload rating to 350 Amperes peak
- Ideal for printed circuit board
- Reliable low cost construction utilizing molded plastic technique results in inexpensive product
- Lead solderable per MIL-STD-202 method 208

MECHANICAL DATA

- Polarity: Symbols molded on body
- Weight: 0.23 ounces, 6.6 grams
- Mounting position: Any

Maximum Ratings (@T_A = 25°C unless otherwise specified)

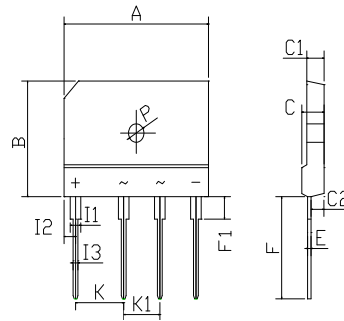
Characteristic	Symbol	KBJ25A	KBJ25B	KBJ25D	KBJ25G	KBJ25J	KBJ25K	KBJ25M	UNITS
Maximum recurrent peak reverse voltage	V _{RRM}	50	100	200	400	600	800	1000	V
Maximum RMS voltage	V _{RMS}	35	70	140	280	420	560	700	V
Maximum DC blocking voltage	V _{DC}	50	100	200	400	600	800	1000	V
Maximum average forward Output current @T _A =25°C	I _{F(AV)}	25.0							A
Peak forward surge current 8.3ms single half-sine-wave superimposed on rated load	I _{FSM}	350.0							A
I ² t Rating for fusing @T _j =25°C	I ² t	508							A ² S

Thermal Characteristics

Characteristic	Symbol	KBJ25A	KBJ25B	KBJ25D	KBJ25G	KBJ25J	KBJ25K	KBJ25M	UNITS
Typical junction capacitance per element	C _J	114							p F
Typical thermal resistance	R _{θJA} R _{θJC}	22 1.0							°C/W
Operating junction temperature range	T _J	- 55 ---- + 150							°C
Storage temperature range	T _{STG}	- 55 ---- + 150							°C

Electrical Characteristics (@T_A = 25°C unless otherwise specified)

Characteristic	Symbol	KBJ25A	KBJ25B	KBJ25D	KBJ25G	KBJ25J	KBJ25K	KBJ25M	UNITS
Maximum instantaneous forward voltage @12.5A @25A	V _F	1.0 1.1							V
Maximum reverse current @T _A =25 °C at rated DC blocking voltage @T _A =100°C	I _R	5.0 0.5							μ A mA



Dim	KBJ6	
	Min	Max
A	29.80	30.20
B	19.80	20.20
C	4.45	4.75
C1	3.45	3.75
C2	2.50	2.80
E	0.60	0.80
F	17.40	18.00
F1	3.60	4.20
I1	1.95	2.25
I2	2.25	2.55
I3	0.85	1.15
K	9.70	10.30
K1	7.20	7.80
P	Ø3.20Typical	
All Dimensions in mm		

TYPICAL CHARACTERISTIC CURVES

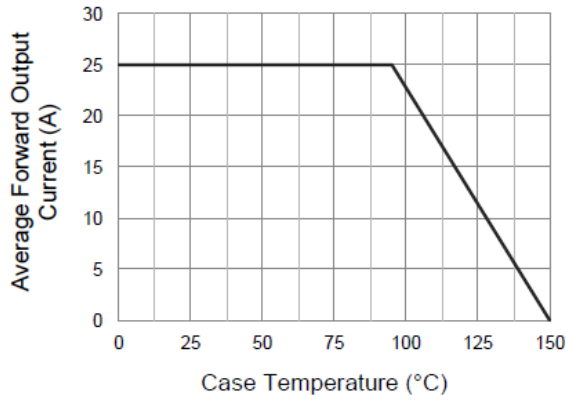


Fig.1 Forward Current Derating Curve

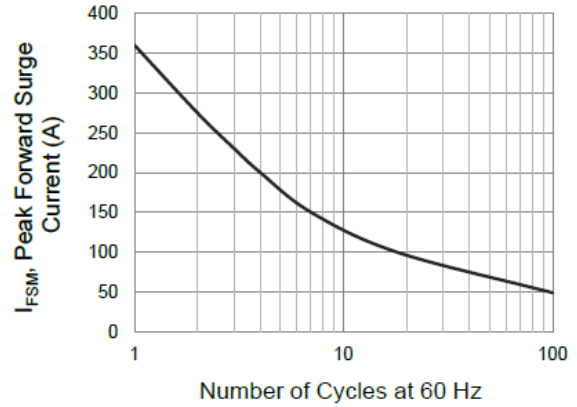


Fig.2 Maximum Forward Surge Current

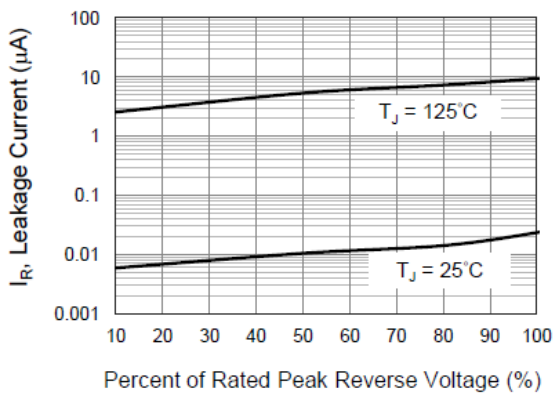


Fig.3 Typical Reverse Characteristics

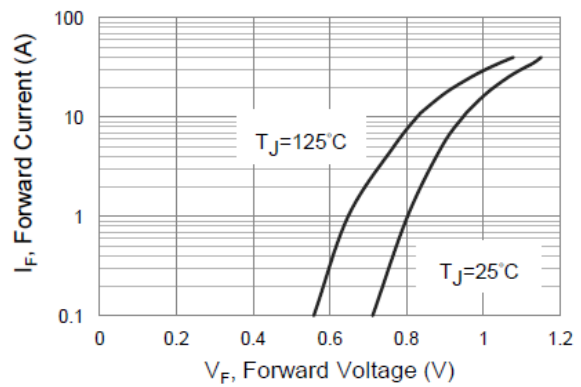


Fig.4 Typical Forward Characteristics

Device	Package	Shipping
KBJ25A--KBJ25M	KBJ6	250 Units/Box

X-ON Electronics

Largest Supplier of Electrical and Electronic Components

Click to view similar products for [Bridge Rectifiers](#) category:

Click to view products by [LGE](#) manufacturer:

Other Similar products are found below :

[MB2510](#) [MB252](#) [MB356G](#) [MB358G](#) [90MT160KPBF](#) [GBJ1504-BP](#) [GBU10B-BP](#) [GBU15K-BP](#) [GBU4A-BP](#) [GBU4D-BP](#) [GBU6B-E3/45](#)
[DB101-BP](#) [DF01](#) [DF10SA-E345](#) [BU1508-E3/45](#) [BU1510-E3/45](#) [KBPC50-10S](#) [RS405GL-BP](#) [GBJ1502-BP](#) [GBU6M](#) [GSIB1520-E3/45](#)
[2KBB10](#) [36MB140A](#) [TB102M](#) [MB1510](#) [MB86](#) [TL401G](#) [MDA920A2](#) [TU602](#) [TU810](#) [MP5010W-BP](#) [MP501W-BP](#) [MP502-BP](#)
[BR84DTP204](#) [BU1508-E3/51](#) [KBPC25-02](#) [VS-110MT120KPBF](#) [VS-2KBB60](#) [VS-60MT120KPBF](#) [VS-60MT80KPBF](#) [DB105-BP](#) [DF1510S](#)
[VS-40MT160PAPBF](#) [VISKBU8K-E4/51](#) [36MT100](#) [GBU4G-BP](#) [GBU6B-E3/51](#) [DF15005S-E3/77](#) [GSIB15A80-E3/45](#) [DB104-BP](#)