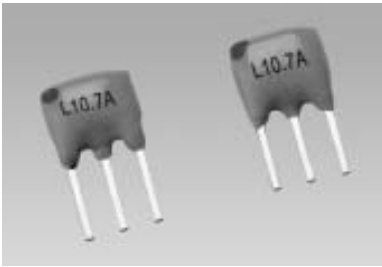
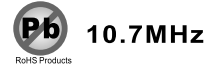


# LT10.7M SERIES OF CERAMIC FILTER



The LT10.7 series ceramic filter is the miniature high profile filter for FM use



## FEATURES

- Low Cost
- FM Use
- Low Profile
- Excellent temperature stability
- High durability

## LT10.7M SERIES OF CERAMIC FILTER FOR FM RECEIVER

### ● 技术特性 TECHNICAL CHARACTERISTICS

型号 Part Number	3分贝带宽 3dB Band Width (KHz)	20分贝带宽 20dB Band Width (KHz) max	插入损耗 Insertion Loss (dB)(max)	阻带衰耗 Spurious Attenuation (9~12MHz)(dB)min
LT10.7MA5	280 ± 50	650	6	30
LT10.7MS2	230 ± 50	600	6	40
LT10.7MS3	180 ± 40	520	7	40
LT10.7MJ	150 ± 40	400	10	38

输入/输出阻抗:330Ω  
Input/Output Impedance:330Ω

## LT10.7M □ A10 SERIES OF CERAMIC FILTER (LOW-LOSS TYPE)

### ● 技术特性 TECHNICAL CHARACTERISTICS

型号 Part Number	3分贝带宽 3dB Band Width (KHz)	20分贝带宽 20dB Band Width (KHz) max	插入损耗 Insertion Loss (dB)	阻带衰耗 Spurious Attenuation (9~12MHz)(dB)min
LT10.7MA5A10	280 ± 50	590	2.5 ± 2.0	30
LT10.7MS2A10	230 ± 50	520	3.0 ± 2.0	35
LT10.7MS3A10	180 ± 40	470	3.5 ± 1.5	35
LT10.7MJA10	150 ± 40	360	4.5 ± 2.0	35

输入/输出阻抗:330Ω  
Input/Output Impedance:330Ω

## WIDE/NARROW BAND-WIDTH TYPE LT10.7M SERIES OF CERAMIC FILTER

### ● 技术特性 TECHNICAL CHARACTERISTICS

型号 Part Number	3分贝带宽 3dB Band Width (KHz)	20分贝带宽 20dB Band Width (KHz) max	插入损耗 Insertion Loss (dB)	阻带衰耗 Spurious Attenuation (9~12MHz)(dB) min
LT10.7MA19	350min	950	3 ± 2	20
LT10.7MA20	330 ± 50	680	4 ± 2	30
LT10.7MHY	110 ± 30	350	7 ± 2	30
LT10.7MFP	20min	95	6.0max	24(10.7 ± 1.0MHz)

\*输入/输出阻抗:470Ω (MA19),330Ω (MA20,MHY),600Ω (MFP)  
Input/Output Impedance:470Ω (MA19),330Ω (NA20,MHY),600Ω (MFP)  
\*LT10.7MFP阻带衰耗范围: 10.7±1MHz  
Spurious Attenuation range of LT10.7MFP:10.7±1MHz

# LT10.7M SERIES OF CERAMIC FILTER



## LT10.7□ ML SERIES OF CERAMIC FILTER (LOW-PROFILE TYPE)

### ● 技术特性 TECHNICAL CHARACTERISTICS

型号 Part Number	3分贝带宽 3dB Band Width (KHz)	20分贝带宽 20dB Band Width (KHz) max	插入损耗 Insertion Loss (dB)(max)	阻带衰耗 Spurious Attenuation (9~12MHz)(dB)min
LT10.7MA5L	280 ± 50	650	6	30
LT10.7MS2L	230 ± 50	600	6	40
LT10.7MS3L	180 ± 40	520	7	40
LT10.7MJL	150 ± 40	400	10	40

输入/输出阻抗:330Ω  
Input/Output Impedance:330Ω

## LT10.7M□LA10 SERIES OF CERAMIC FILTER(LOW-LOSS/LOW-PROFILE TYPE)

### ● 技术特性 TECHNICAL CHARACTERISTICS

型号 Part Number	3分贝带宽 3dB Band Width (KHz)	20分贝带宽 20dB Band Width (KHz) max	插入损耗 Insertion Loss (dB)	阻带衰耗 Spurious Attenuation (9~12MHz)(dB)min
LT10.7MA5LA10	280 ± 50	590	2.5 ± 2.0	30
LT10.7MS2LA10	230 ± 50	520	3.0 ± 2.0	35
LT10.7MS3LA10	180 ± 40	470	3.5 ± 1.5	35
LT10.7MJLA10	150 ± 40	360	5.5 ± 2.0	35

输入/输出阻抗:330Ω  
Input/Output Impedance:330Ω

## WIDE/NARROW BAND-WIDTH TYPE LT10.7M □ SERIES OF CERAMIC FILTER (LOW-PROFILE TYPE)

### ● 技术特性 TECHNICAL CHARACTERISTICS

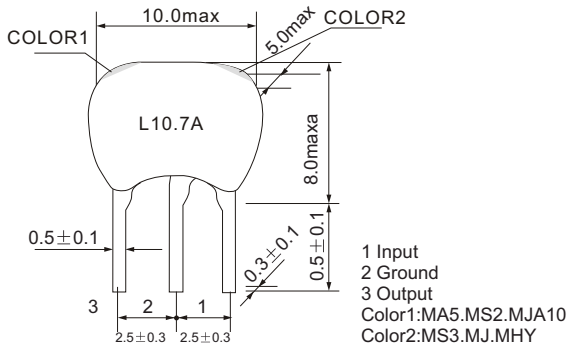
型号 Part Number	3分贝带宽 3dB Band Width (KHz)	20分贝带宽 20dB Band Width (KHz) max	插入损耗 Insertion Loss (dB)	阻带衰耗 Spurious Attenuation (9~12MHz)(dB) min
LT10.7MA19L	380 ± 50	720	5.0	30
LT10.7MA20L	330 ± 50	680	6.0	30
LT10.7MHYL	110 ± 30	350	10.0	30

\*输入/输出阻抗:330Ω  
Input/Output Impedance:330Ω

# LT10.7M SERIES OF CERAMIC FILTER



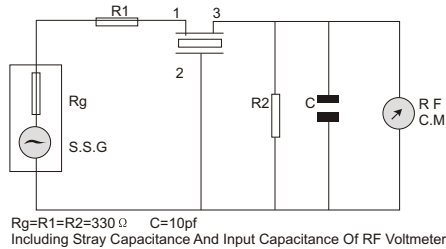
## Mechanical Dimensions(mm)



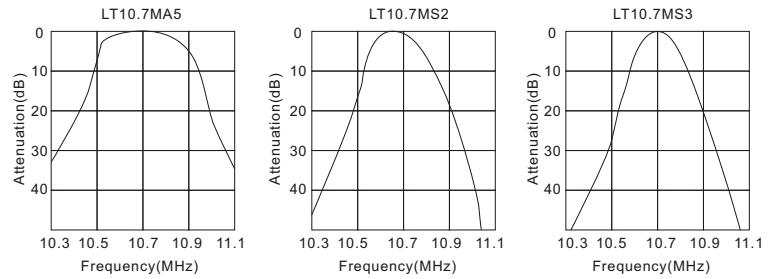
## Standard Rule

Center Frequency	Color
D:10.64MHz 30kHz	Black
B:10.67MHz 30kHz	Blue
A:10.70MHz 30kHz	Red
C:10.73MHz 30kHz	Orange
E:10.76MHz 30kHz	White

## Test Circuit For MOS IC



## Characteristics



## X-ON Electronics

Largest Supplier of Electrical and Electronic Components

*Click to view similar products for [Signal Conditioning category](#):*

*Click to view products by [LGE manufacturer](#):*

Other Similar products are found below :

[MAPDCC0001](#) [MAPDCC0004](#) [PD0409J5050S2HF](#) [HHS-109-PIN](#) [AFS14A35-1591.50-T3](#) [DS-323-PIN](#) [DSS-313-PIN](#) [JP510S](#)  
[LFB322G45SN1A504](#) [SF2159E](#) [FM-104-PIN](#) [CER0813B](#) [MAPDCC0005](#) [3A325](#) [BD0810N50100AHF](#) [JHS-115-PIN](#) [DC0710J5005AHF](#)  
[DC2327J5005AHF](#) [LFB2H2G60BB1C106](#) [LFL15869MTC1B787](#) [X3C19F1-20S](#) [XC3500P-20S](#) [CDBLB455KCAX39-B0](#) [RF1353C](#) [051157-](#)  
[0000](#) [PD0922J5050D2HF](#) [600S150FTRB](#) [1E1305-3](#) [1F1304-3S](#) [1G1304-30](#) [TP-103-PIN](#) [BD1222J50200AHF](#) [BD1722J50100AHF](#)  
[2450DP39K5400E](#) [BD0810J50150AHF](#) [BD1722J50200AHF](#) [DSS-113-PIN](#) [DS-327-PIN](#) [MACP-008125-CK07F0](#) [DS-329-PIN](#) [DS-313-PIN](#)  
[M38510/10304BCA](#) [TP-104-PIN](#) [HH-128-PIN](#) [JP506S](#) [XC0900P-10S](#) [XC0900B-30S](#) [CHE1260-QAG](#) [11305-10](#) [5962-9091202MXA](#)