

Features

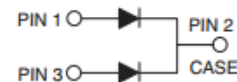
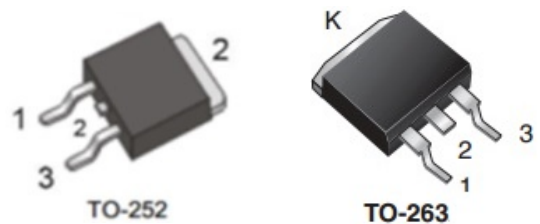
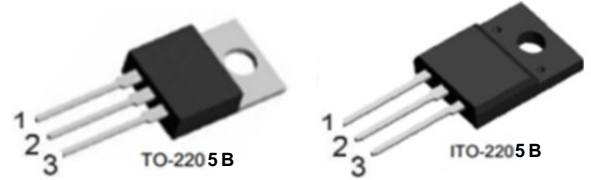
- ◇ Trench Schottky Barrier technology
- ◇ Ultra low forward voltage drop
- ◇ Low power loss,high efficiency
- ◇ Excellent low reverse leakages
- ◇ Excellent high temperature stability
- ◇ High current capability
- ◇ High forward surge capability
- ◇ Lead free finish ,Rohs and WEEE compliant.

Applications

- ◇ Switching diode
- ◇ Switching mode power supply(SMPS)
- ◇ DC/DC converter
- ◇ LED lighting
- ◇ Adapter for notebook and game station

Mechanical Data

- ◇ Moisture Sensitivity: MSL Level 1,per J-STD-020
- ◇ Terminals:Matte Tin Finish.
Solderable per MIL-STD-202 Method 208
- ◇ Case Material: Molded Plastic;
Molding compound meet UL Flammability Classification Rating 94V-0
- ◇ Case:JEDEC TO-220AB,ITO-220AB,TO-252,TO-263



MAXIMUM RATING

Ratings at 25°C ambient temperature unless otherwise specified.

PARAMETER	SYMBOL	VALUE	UNITS
Maximum repetitive peak reverse voltage	V_{RRM}	200	V
Maximum RMS voltage	V_{RWS}	140	V
Maximum DC blocking voltage	V_{DC}	200	V
Maximum average forward rectified current	$I_{F(AV)}$	20	A
per device Per diode		10	
Peak forward surge current 8.3ms half-sine-wave	I_{FSM}	200	A
I^2t Rating for Fusing($t < 8.3ms$)	I^2t	166	A ² s
Typical Thermal Resistance	TO-220AB	$R_{\theta JA}$	23 °C/W
		$R_{\theta JC}$	2.5 °C/W
		$R_{\theta JL}$	3.0 °C/W
	ITO-220AB	$R_{\theta JC}$	4.5 °C/W
	TO-252	$R_{\theta JC}$	2.5 °C/W
TO-263	$R_{\theta JC}$	2.5 °C/W	
Typical junction capacitance: VR=4.0v,f=1MHz	CJ	580	pF
Junction temperature	T_J	150	°C
Storage temperature range	TSTG	-55~150	°C

ELELTRICAL CHARACTERISTICS

PARAMETER	TEST CONDITIONS	SYMBOL	VALUE			UNITS	
			Min	Typ	Max		
Breakdown voltage per diode(min)	IR=0.5mA	VB _R	100	-	-	V	
Instantaneous forward voltage	IF=10A per leg	TA= 25°C	VF	-	0.85	0.88	V
		TA= 100°C	VF	-	0.73	-	V
		TA= 125°C	VF	-	0.71	-	V
	IF=5A per leg	TA= 25°C	VF	-	0.77	-	V
		TA= 100°C	VF	-	0.66	-	V
		TA= 125°C	VF	-	0.63	-	V
	IF=3A per leg	TA= 25°C	VF	-	0.72	-	V
		TA= 100°C	VF	-	0.60	-	V
		TA= 125°C	VF	-	0.58	-	V
Maximum DC reverse current @Rated DC Blocking Vlotage	TA= 25°C	IR	-	10.0	200	μ A	
	TA=125°C	IR	-	-	20000	μ A	

ODERING PACK INFORMATION

Part No.	Packge	Pcking	Box Size L×W×H(mm)	Quatity(pcs/box)	Carton Size L×W×H(mm)	Quatity(pcs/carton)
MBR20200LCT	TO-220AB	50pcs/Tube	558×148×38	1000	565×225×170	5000
MBRF20200LCT	ITO-220AB	50pcs/Tube	558×148×38	1000	565×225×170	5000
MBR20200LDT	TO-252	50pcs/Tube	558×148×38	1000	565×225×170	5000
MBR20200LMT	TO-263	50pcs/Tube	558×148×38	4000	565×225×170	20000

RATING AND CHARACTERISTICS CURVES

FIG.1-FORWARD CURRENT DERATING CURVE

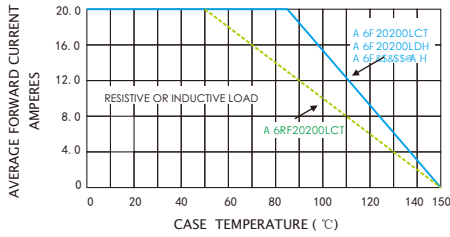


FIG.2-MAXIMUM NON-REPETITIVE PEAK FORWARD SURGE CURRENT

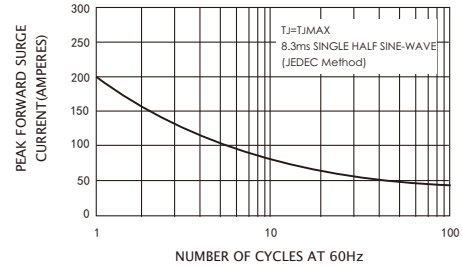


FIG.3-TYPICAL INSTANTANEOUS FORWARD CHARACTERISTICS

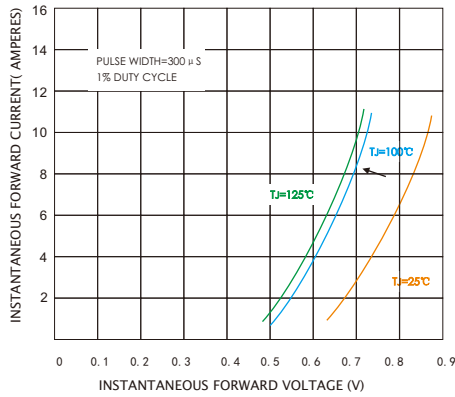


FIG.4-TYPICAL REVERSE CHARACTERISTICS

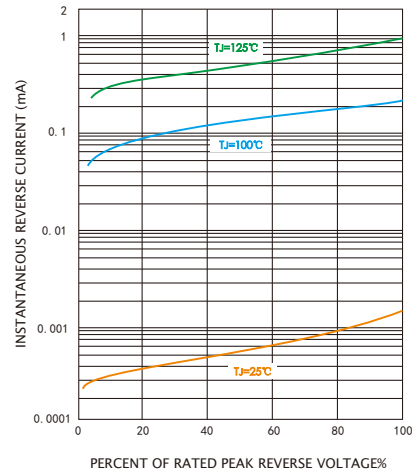
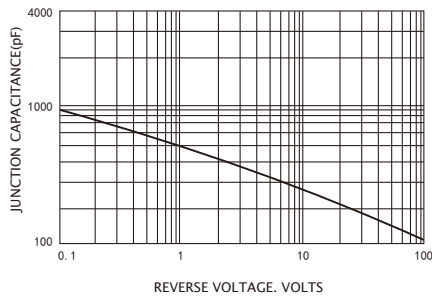


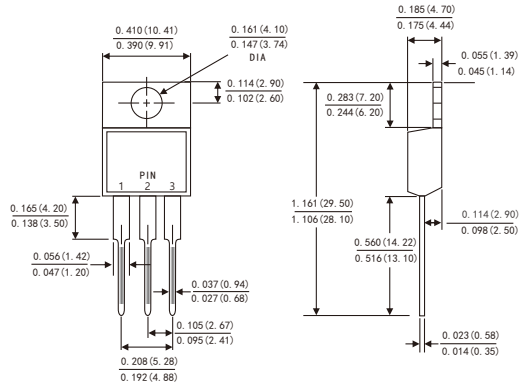
FIG.5-TYPICAL JUNCTION CAPACITANCE



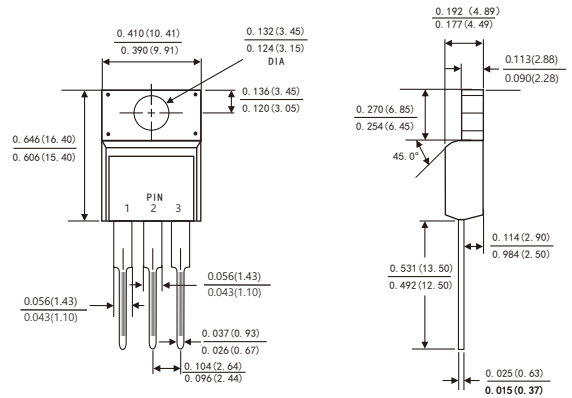
PACKAGE OUTLINE DIMENSIONS

Dimensions in inches and (millimeters)

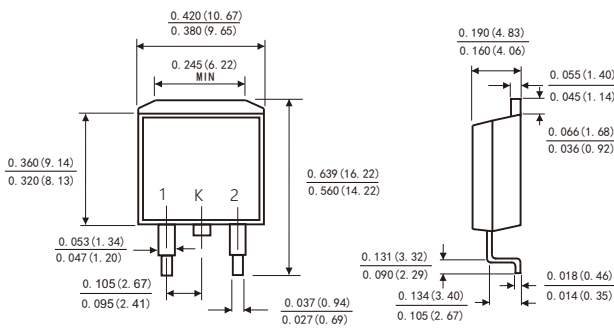
TO-220AB



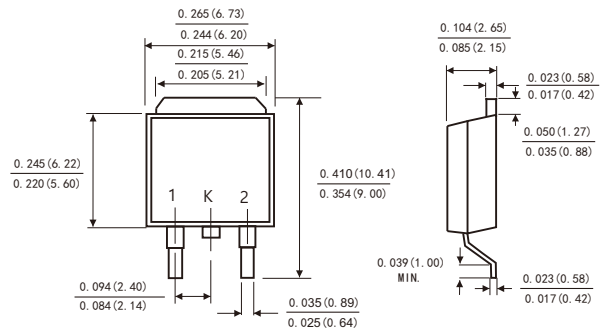
ITO-220AB



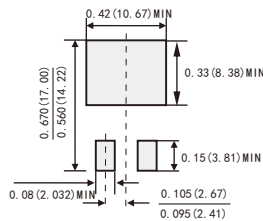
TO-263



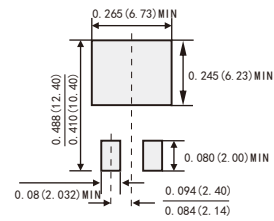
TO-252



Suggested Pad Layout (TO-263)



Suggested Pad Layout (TO-252)



X-ON Electronics

Largest Supplier of Electrical and Electronic Components

Click to view similar products for [Schottky Diodes & Rectifiers](#) category:

Click to view products by [LGE](#) manufacturer:

Other Similar products are found below :

[MA4E2039](#) [MA4E2508M-1112](#) [MBR1545CT](#) [MMBD301M3T5G](#) [RB160M-50TR](#) [D83C](#) [BAS16E6433HTMA1](#) [BAT 54-02LRH E6327](#)
[NRVBAF360T3G](#) [NSR05F40QNXT5G](#) [NTE555](#) [JANS1N6640](#) [SK310-T](#) [SS3003CH-TL-E](#) [GA01SHT18](#) [CRS10I30A\(TE85L,QM](#)
[MA4E2501L-1290](#) [MBRA140TRPBF](#) [MBRB30H30CT-1G](#) [BAT 15-04R E6152](#) [JANTX1N5712-1](#) [DMJ3940-000](#) [SB007-03C-TB-E](#)
[SK33B-TP](#) [NRVBB20100CTT4G](#) [NRVBM120LT1G](#) [NTSB30U100CT-1G](#) [VS-6CWQ10FNHM3](#) [CRG04\(T5L,TEMQ\)](#) [ACDBA1100LR-HF](#)
[ACDBA1200-HF](#) [ACDBA240-HF](#) [ACDBA3100-HF](#) [CDBQC0530L-HF](#) [CDBQC0240LR-HF](#) [ACDBA260LR-HF](#) [ACDBA1100-HF](#)
[MA4E2502L-1246](#) [10BQ015-M3/5BT](#) [NRVBM120ET1G](#) [CRS08TE85LQM](#) [PMAD1108-LF](#) [B120Q-13-F](#) [1N5819T-G](#) [B0530WSQ-7-F](#)
[PDS1040Q-13](#) [B160BQ-13-F](#) [SDM05U20CSP-7](#) [B140S1F-7](#) [HSM560Je3/TR13](#)