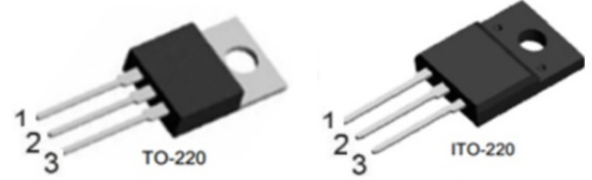


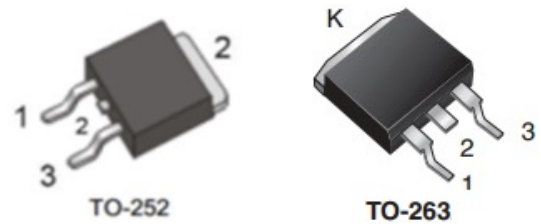
### Features

- ◇ Trench Schottky Barrier technology
- ◇ Ultra low forward voltage drop
- ◇ Low power loss,high efficiency
- ◇ Excellent low reverse leakages
- ◇ Excellent high temperature stability
- ◇ High current capability
- ◇ High forward surge capability
- ◇ Lead free finish ,Rohs and WEEE compliant.



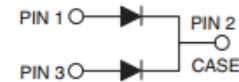
### Applications

- ◇ Switching diode
- ◇ Switching mode power supply(SMPS)
- ◇ DC/DC converter
- ◇ LED lighting
- ◇ Adapter for notebook and game station



### Mechanical Data

- ◇ Moisture Sensitivity: MSL Level 1,per J-STD-020
- ◇ Terminals:Matte Tin Finish.  
Solderable per MIL-STD-202 Method 208
- ◇ Case Material: Molded Plastic;  
Molding compound meet UL Flammability ClassificationRating 94V-0
- ◇ Case:JEDEC TO-220AB,ITO-220AB,TO-252,TO-263



### MAXIMUM RATING

Ratings at 25°C ambient temperature unless otherwise specified.

PARAMETER	SYMBOL	VALUE	UNITS	
Maximum repetitive peak reverse voltage	$V_{RRM}$	60	V	
Maximum RMS voltage	$V_{RWS}$	42	V	
Maximum DC blocking voltage	$V_{DC}$	60	V	
Maximum average forward rectified current	$I_{F(AV)}$	20	A	
per device		10		
Peak forward surge current 8.3ms half-sine-wave	$I_{FSM}$	200	A	
$I^2t$ Rating for Fusing( $t < 8.3ms$ )	$I^2t$	166	$A^2s$	
Typical Thermal Resistance	TO-220AB	$R_{\theta JA}$	11.4	$^{\circ}C/W$
		$R_{\theta JC}$	2.7	$^{\circ}C/W$
		$R_{\theta JL}$	3.0	$^{\circ}C/W$
	ITO-220AB	$R_{\theta JC}$	4.5	$^{\circ}C/W$
	TO-252	$R_{\theta JC}$	2.5	$^{\circ}C/W$
TO-263	$R_{\theta JC}$	2.5	$^{\circ}C/W$	
Typical junction capacitance: $V_R=4.0v, f=1MHz$	$C_J$	680	pF	
Junction temperature	$T_J$	150	$^{\circ}C$	
Storage temperature range	$T_{STG}$	-55~150	$^{\circ}C$	



**MBR2060LCT/MBRF2060LCT**  
**MBR2060LDT/MB2060LMT**  
 Low VF Trench Schottky Rectifiers



**ELELTRICAL CHARACTERISTICS**

PARAMETER	TEST CONDITIONS	SYMBOL	VALUE			UNITS	
			Min	Typ	Max		
Breakdown voltage per diode(min)	IR=0.5mA	VB <sub>R</sub>	100	-	-	V	
Instantaneous forward voltage	IF=10A per Ige	TA= 25°C	VF	-	0.58	0.62	V
		TA= 100°C	VF	-	0.55	0.61	V
		TA= 125°C	VF	-	0.54	0.60	V
	IF=5A per Ige	TA= 25°C	VF	-	0.49	-	V
		TA= 100°C	VF	-	0.43	-	V
		TA= 125°C	VF	-	0.41	-	V
	IF=3A per Ige	TA= 25°C	VF	-	0.46	-	V
		TA= 100°C	VF	-	0.42	-	V
		TA= 125°C	VF	-	0.40	-	V
Maximum DC reverse current @Rated DC Blocking Vlotage	TA= 25°C	IR	-	10.0	50	μ A	
	TA=125°C	IR	-	-	20000	μ A	

**ODERING PACK INFORMATION**

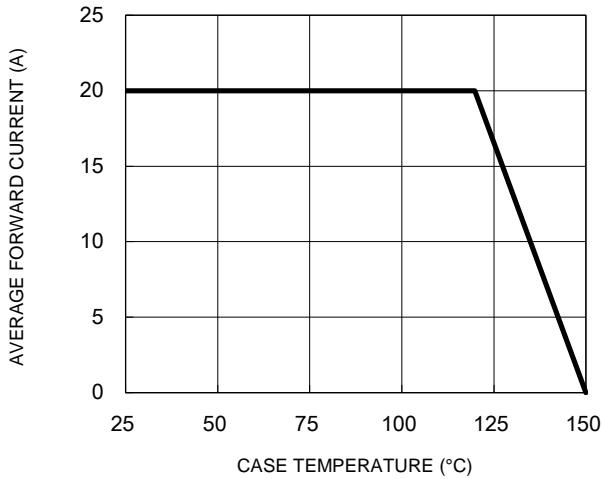
Part No.	Packge	Pcking	Box Size L×W×H(mm)	Quatity(pcs/box)	Carton Size L×W×H(mm)	Quatity(pcs/carton)
MBR2060LCT	TO-220	50pcs/Tube	558×148×38	1000	565×225×170	5000
MBRF2060LCT	ITO-220	50pcs/Tube	558×148×38	1000	565×225×170	5000
MBR2060LDT	TO-252	50pcs/Tube	558×148×38	1000	565×225×170	5000
MBR2060LMT	TO-263	50pcs/Tube	558×148×38	4000	565×225×170	20000



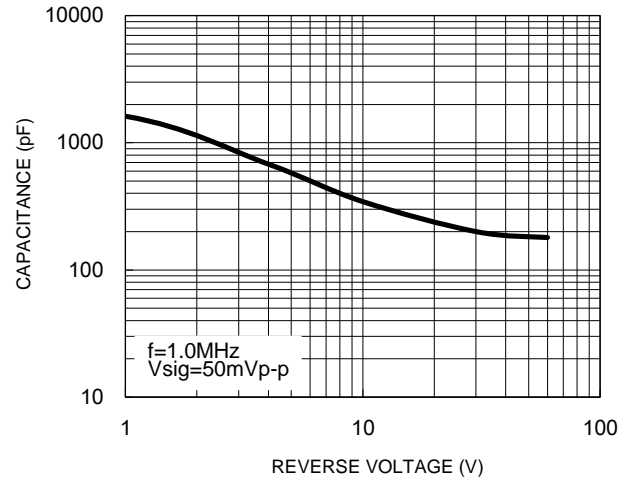
**RATING AND CHARACTERISTICS CURVES**

( $T_A = 25^\circ\text{C}$  unless otherwise noted)

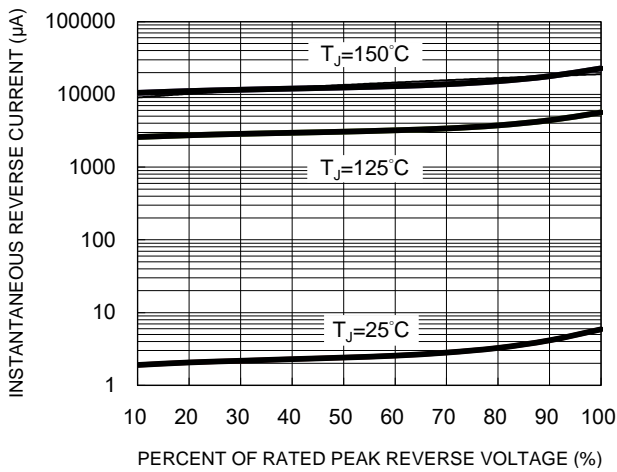
**Fig.1 Forward Current Derating Curve**



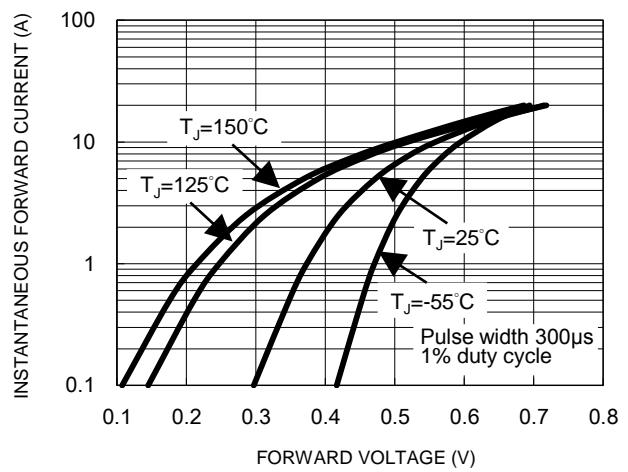
**Fig.2 Typical Junction Capacitance**



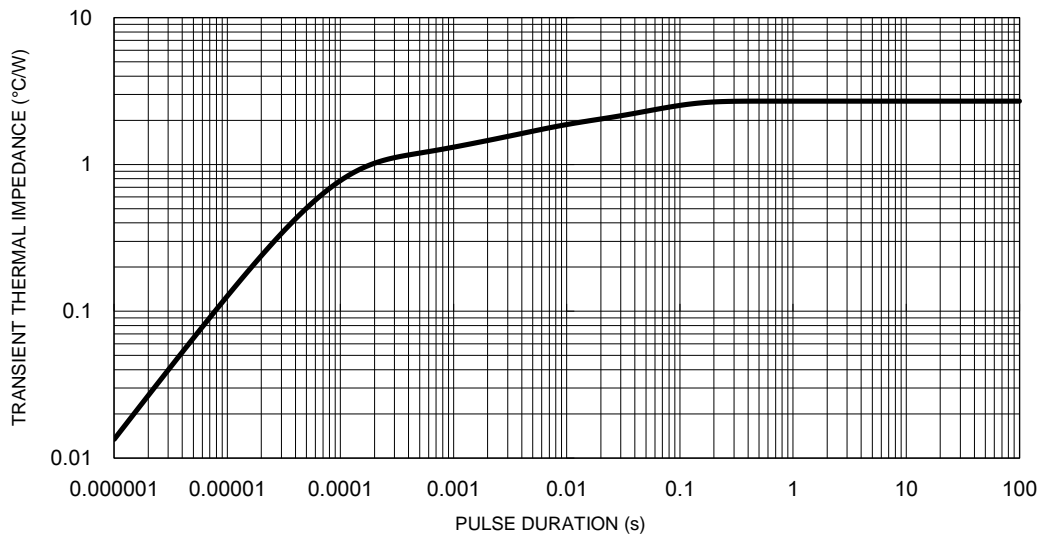
**Fig.3 Typical Reverse Characteristics**



**Fig.4 Typical Forward Characteristics**



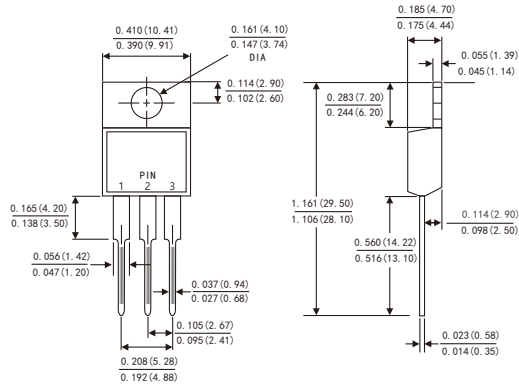
**Fig.5 Typical Transient Thermal Impedance**



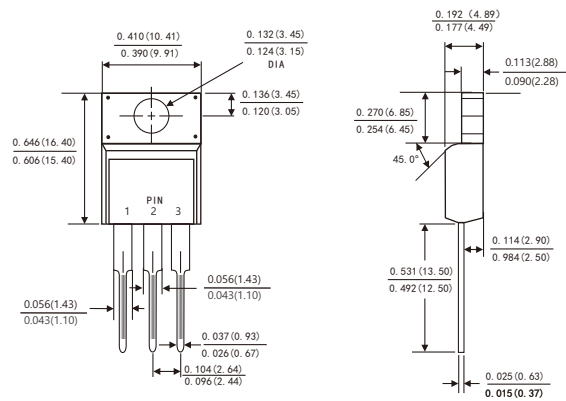
**PACKAGE OUTLINE DIMENSIONS**

Dimensions in inches and (millimeters)

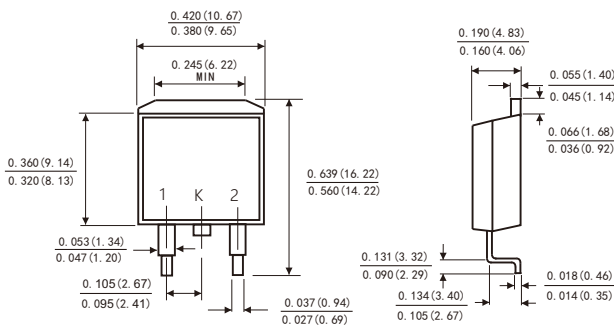
**TO-220AB**



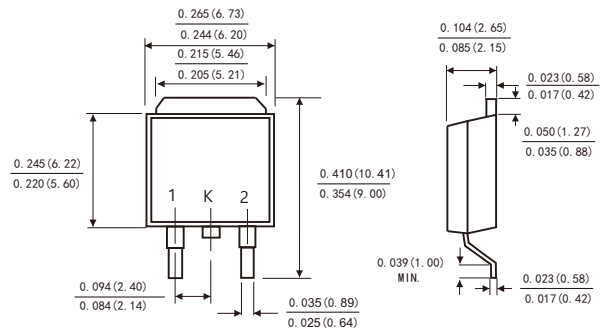
**ITO-220AB**



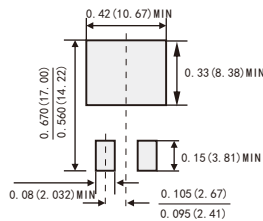
**TO-263**



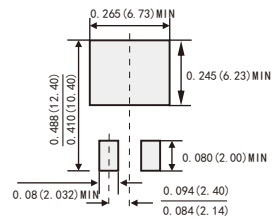
**TO-252**



**Suggested Pad Layout (TO-263)**



**Suggested Pad Layout (TO-252)**



## X-ON Electronics

Largest Supplier of Electrical and Electronic Components

*Click to view similar products for [Schottky Diodes & Rectifiers](#) category:*

*Click to view products by [LGE](#) manufacturer:*

Other Similar products are found below :

[MA4E2039](#) [MA4E2508M-1112](#) [MBR10100CT-BP](#) [MBR1545CT](#) [MMBD301M3T5G](#) [GS1JE-TP](#) [RB160M-50TR](#) [BAS16E6433HTMA1](#)  
[BAS 3010S-02LRH E6327](#) [BAT 54-02LRH E6327](#) [NSR05F40QNXT5G](#) [NSVR05F40NXT5G](#) [NTE555](#) [JANS1N6640](#) [SB07-03C-TB-H](#)  
[SBS818-TL-E](#) [SK310-T](#) [SK33A-TP](#) [SK34B-TP](#) [SS3003CH-TL-E](#) [PDS3100Q-7](#) [GA01SHT18](#) [CRS10I30A\(TE85L,QM](#) [MA4E2501L-1290](#)  
[MBRB30H30CT-1G](#) [DMJ3940-000](#) [SB007-03C-TB-E](#) [SK32A-TP](#) [SK33B-TP](#) [SK35A-TP](#) [SK38B-LTP](#) [SK38B-TP](#) [NRVBM120LT1G](#)  
[NTE505](#) [NTSB30U100CT-1G](#) [SS0503SH-TL-E](#) [VS-6CWQ10FNHM3](#) [CRG04\(T5L,TEMQ\)](#) [ACDBA1100LR-HF](#) [ACDBA1200-HF](#)  
[ACDBA2100-HF](#) [ACDBA240-HF](#) [ACDBA3100-HF](#) [CDBQC0530L-HF](#) [ACDBA260LR-HF](#) [ACDBA1100-HF](#) [MA4E2502L-1246](#)  
[10BQ060-M3/5BT](#) [NRVB130LSFT1G](#) [CRS08TE85LQM](#)