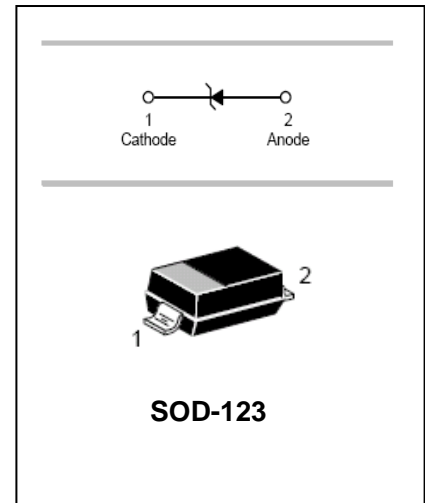


FEATURES

- Planar die construction.
- 500mW power dissipation.
- General purpose, medium current.
- Ideally suited for automated assembly processes.

APPLICATIONS

- Zener diode.
- Ultra-small surface mount package.



ORDERING INFORMATION

| Type No. | Marking | Package Code |
|---------------------|-------------|--------------|
| MMSZ5221B-MMSZ5262B | See table 2 | SOD-123 |

MAXIMUM RATING @ Ta=25°C unless otherwise specified

| Characteristic | Symbol | Value | Unit |
|---|------------------|-------------|------|
| Forward Voltage @ I _F =10mA | V _F | 0.9 | V |
| Power Dissipation | P _d | 500 | mW |
| Thermal resistance, junction to ambient air | R _{θJA} | 350 | °C/W |
| Junction temperature | T _j | 150 | °C |
| Storage temperature range | T _{stg} | -65 to +150 | °C |

Notes: 1. Device mounted on ceramic PCB; 7.6 mm x 9.4 mm x 0.87 mm with pad areas 25 mm².

2. Tested with pulses, T_p ≤ 1.0ms.

ELECTRICAL CHARACTERISTICS @ Ta=25°C unless otherwise specified

| Type Number | Type Code | Zener Voltage Range | | | Test Current | Maximum Zener Impedance | | Maximum Reverse Leakage Current | |
|-------------|-----------|---------------------------------|--------|--------|-----------------|----------------------------------|--|---------------------------------|-----------------|
| | | V _z @I _{ZT} | | | I _{ZT} | Z _{zT} @I _{ZT} | Z _{ZK} @I _{ZK} =0.25mA | I _R | @V _R |
| | | Nom(V) | Min(V) | Max(V) | mA | Ω | | μA | V |
| MMSZ5221B | | 2.4 | 2.28 | 2.52 | 20 | 30 | 1200 | 100 | 1.0 |
| MMSZ5223B | | 2.7 | 2.57 | 2.84 | 20 | 30 | 1300 | 75 | 1.0 |
| MMSZ5225B | | 3.0 | 2.85 | 3.15 | 20 | 30 | 1600 | 50 | 1.0 |
| MMSZ5226B | | 3.3 | 3.14 | 3.47 | 20 | 28 | 1600 | 25 | 1.0 |
| MMSZ5227B | | 3.6 | 3.42 | 3.78 | 20 | 24 | 1700 | 15 | 1.0 |
| MMSZ5228B | | 3.9 | 3.71 | 4.10 | 20 | 23 | 1900 | 10 | 1.0 |
| MMSZ5229B | | 4.3 | 4.09 | 4.52 | 20 | 22 | 2000 | 5.0 | 1.0 |
| MMSZ5230B | | 4.7 | 4.47 | 4.94 | 20 | 19 | 1900 | 5.0 | 2.0 |
| MMSZ5231B | | 5.1 | 4.85 | 5.36 | 20 | 17 | 1600 | 5.0 | 2.0 |
| MMSZ5232B | | 5.6 | 5.32 | 5.88 | 20 | 11 | 1600 | 5.0 | 3.0 |
| MMSZ5233B | | 6.0 | 5.70 | 6.30 | 20 | 7 | 1600 | 5.0 | 3.5 |
| MMSZ5234B | | 6.2 | 5.89 | 6.51 | 20 | 7 | 1000 | 5.0 | 4.0 |
| MMSZ5235B | | 6.8 | 6.46 | 7.14 | 20 | 5 | 750 | 3.0 | 5.0 |
| MMSZ5236B | | 7.5 | 7.13 | 7.88 | 20 | 6 | 500 | 3.0 | 6.0 |
| MMSZ5237B | | 8.2 | 7.79 | 8.61 | 20 | 8 | 500 | 3.0 | 6.5 |
| MMSZ5238B | | 8.7 | 8.27 | 9.14 | 20 | 8 | 600 | 3.0 | 6.5 |
| MMSZ5239B | | 9.1 | 8.65 | 9.56 | 20 | 10 | 600 | 3.0 | 7.0 |
| MMSZ5240B | | 10 | 9.50 | 10.50 | 20 | 17 | 600 | 3.0 | 8.0 |
| MMSZ5241B | | 11 | 10.45 | 11.55 | 20 | 22 | 600 | 2.0 | 8.4 |
| MMSZ5242B | | 12 | 11.40 | 12.60 | 20 | 30 | 600 | 1.0 | 9.1 |
| MMSZ5243B | | 13 | 12.35 | 13.65 | 9.5 | 13 | 600 | 0.5 | 9.9 |
| MMSZ5245B | | 15 | 14.25 | 15.75 | 8.5 | 16 | 600 | 0.1 | 11 |
| MMSZ5246B | | 16 | 15.20 | 16.80 | 7.8 | 17 | 600 | 0.1 | 12 |
| MMSZ5248B | | 18 | 17.10 | 18.90 | 7.0 | 21 | 600 | 0.1 | 14 |
| MMSZ5250B | | 20 | 19.00 | 21.00 | 6.2 | 25 | 600 | 0.1 | 15 |
| MMSZ5251B | | 22 | 20.90 | 23.10 | 5.6 | 29 | 600 | 0.1 | 17 |
| MMSZ5252B | | 24 | 22.80 | 25.20 | 5.2 | 33 | 600 | 0.1 | 18 |
| MMSZ5254B | | 27 | 25.65 | 28.35 | 5.0 | 41 | 600 | 0.1 | 21 |
| MMSZ5255B | | 28 | 26.60 | 29.40 | 4.5 | 44 | 600 | 0.1 | 21 |
| MMSZ5256B | | 30 | 28.50 | 31.5 | 4.2 | 49 | 600 | 0.1 | 23 |
| MMSZ5257B | | 33 | 31.35 | 34.65 | 3.8 | 58 | 700 | 0.1 | 25 |
| MMSZ5258B | | 36 | 34.20 | 37.80 | 3.4 | 70 | 700 | 0.1 | 27 |
| MMSZ5259B | | 39 | 37.05 | 40.95 | 3.2 | 80 | 800 | 0.1 | 30 |
| MMSZ5260B | | 43 | 40.85 | 45.15 | 3.0 | 93 | 900 | 0.1 | 33 |
| MMSZ5261B | | 47 | 44.65 | 49.35 | 2.7 | 105 | 1000 | 0.1 | 36 |

| Type Number | Zener Voltage Range | | | Test Current | Maximum Zener Impedance | | Maximum Reverse Leakage Current | |
|-------------|---------------------|--------|--------|--------------|-------------------------|------------------------|---------------------------------|---------|
| | $V_z@I_{ZT}$ | | | I_{ZT} | $Z_{ZT}@I_{ZT}$ | $Z_{ZK}@I_{ZK}=0.25mA$ | I_R | @ V_R |
| | Nom(V) | Min(V) | Max(V) | mA | Ω | | μA | V |
| MMSZ5262B | 51 | 48.45 | 53.55 | 2.5 | 125 | 1100 | 0.1 | 39 |

TYPICAL CHARACTERISTICS @ $T_a=25^\circ C$ unless otherwise specified

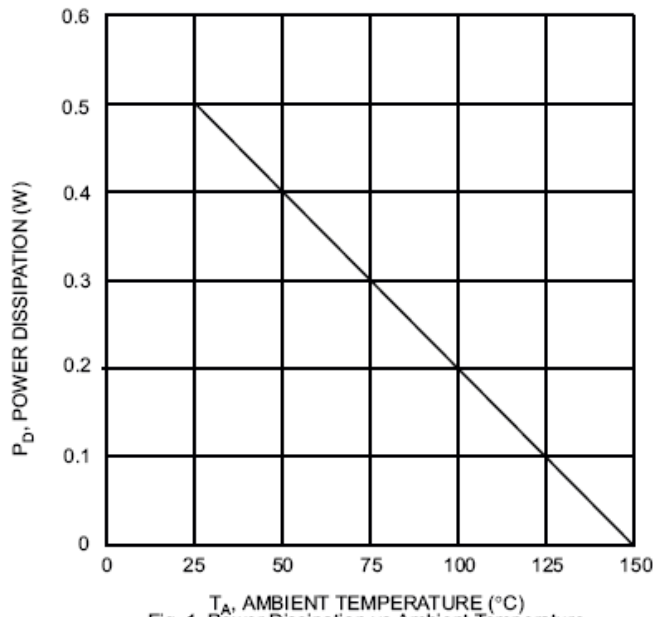
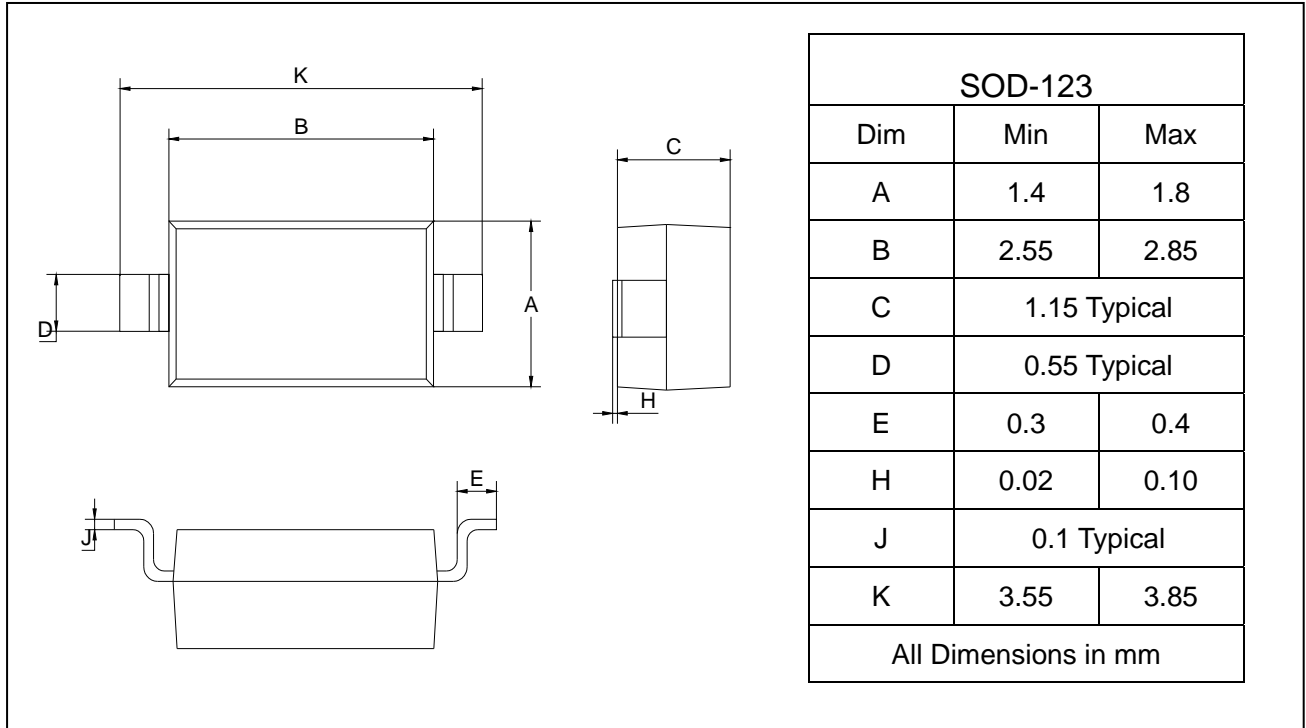
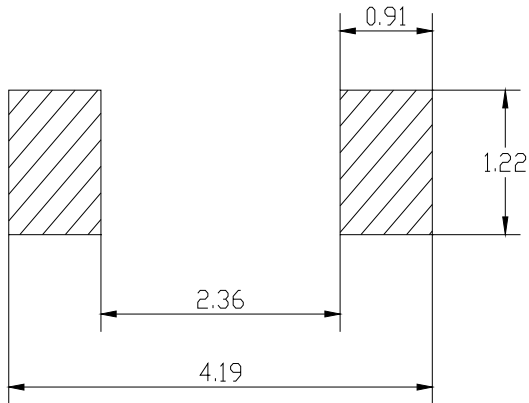


Fig. 1 Power Dissipation vs Ambient Temperature

PACKAGE OUTLINE

Plastic surface mounted package

SOD-123


SOLDERING FOOTPRINT


Unit: mm

| PACKAGE | SPQ/PCS | CARTON SPQ/PCS | CARTON SIZE/CM | CARTON GW/KG | CARTON NW/KG |
|---------|-----------|----------------|----------------|--------------|--------------|
| SOD-123 | 3000/REEL | 90000 | 40X20X22 | 5.00 | 4.00 |

X-ON Electronics

Largest Supplier of Electrical and Electronic Components

Click to view similar products for [Zener Diodes](#) category:

Click to view products by [LGE](#) manufacturer:

Other Similar products are found below :

[RKZ13B2KG#P1](#) [DL5234B](#) [EDZTE6113B](#) [1N4682](#) [1N4691](#) [1N4693](#) [1N4732A](#) [1N4736A](#) [1N4750A](#) [1N4759ARL](#) [1N5241B](#) [1N5365B](#)
[1N5369B](#) [1N747A](#) [1N959B](#) [1N964B](#) [1N966B](#) [1N968B](#) [1N972B](#) [NTE5121A](#) [NTE5147A](#) [NTE5152A](#) [NTE5155A](#) [NTE5164A](#)
[JANS1N4974US](#) [1N4692](#) [1N4700](#) [1N4702](#) [1N4704](#) [1N4711](#) [1N4714](#) [1N4737A](#) [1N4745ARL](#) [1N4752A](#) [1N4752ARL](#) [1N4760ARL](#)
[1N5221B](#) [1N5236B](#) [1N5241BTR](#) [1N5242BTR](#) [1N5350B](#) [1N5352B](#) [1N961BRR1](#) [1N964BRL](#) [RKZ5.1BKU#P6](#) [3SMAJ5946B-TP](#)
[3SMAJ5950B-TP](#) [3SMBJ5925B-TP](#) [441774C](#) [BZX84C3V9](#)