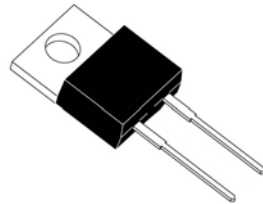


VOLTAGE RANGE:200 to 600V

CURRENT:15 Ampere

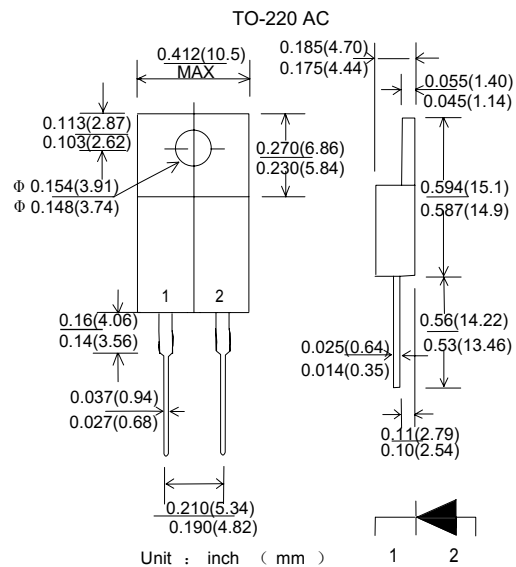


FEATURES

- * Low forward voltage drop
- * High current capability
- * High reliability
- * Low Power Loss, High Efficiency
- * Ultrafast 35 and 60 Nanosecond Recovery times

MECHANICAL DATA

- * Case: Molded plastic
- * Epoxy: UL 94V-0 rate flame retardant
- * Lead: Axial leads, solderable per MIL-STD-202, method 208 guaranteed
- * Polarity: Color band denotes cathode end
- * Mounting position: Any
- * Weight: 1.93 grams



Maximum Ratings and Electrical Characteristics

- * Rating at 25 °C ambient temperature unless otherwise specified.
- * Single phase, half wave, 60 Hz, resistive or inductive load.
- * For capacitive load, derate current by 20%

Type Number	Symbol	MUR1520	MUR1540	MUR1560	Unit
Maximum Repetitive Peak Reverse Voltage	VRRM	200	400	600	V
Maximum RMS Voltage	VRMS	140	280	420	V
Maximum DC Blocking Voltage	VDC	200	400	600	V
Maximum Average Forward Rectified Current	IF	15			A
Peak Forward Surge Current, 8.3 ms Single Half Sine-wave Superimposed on Rated Load (JEDEC method)	IFSM	150			A
Maximum Instantaneous Forward Voltage @15A	VF	1.05	1.3	1.7	v
Maximum Reverse Current @ Rated VR TA=25 °C TA=125 °C	IR	10 500			uA
Typical Junction Capacitance (Note 1)	Cj	150			pF
Typical Thermal Resistance(Note 2)	RθJA	30			°C/w
Operating and Storage Temperature Range	TJ	-65~+150			°C
Maximum reverse recovery time (Note 3)	Trr	50			nS

NOTE1. Measured at 1.0 MHz and applied reverse voltage of 4.0V D.C.

NOTE2. Leads maintained at ambient temperature at a distance of 9.5mm from the case

NOTE3. Measured with IF = 0.5A, IR = 1.0A, IRR = 0.25A. See figure 5.

Typical Characteristics

FIG. 1 MAXIMUM FORWARD CURRENT DERATING CURVE

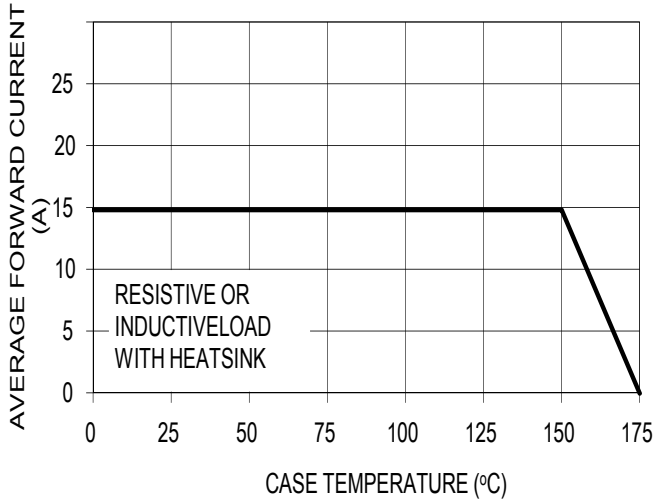


FIG. 2 MAXIMUM NON-REPETITIVE FORWARD SURGE CURRENT

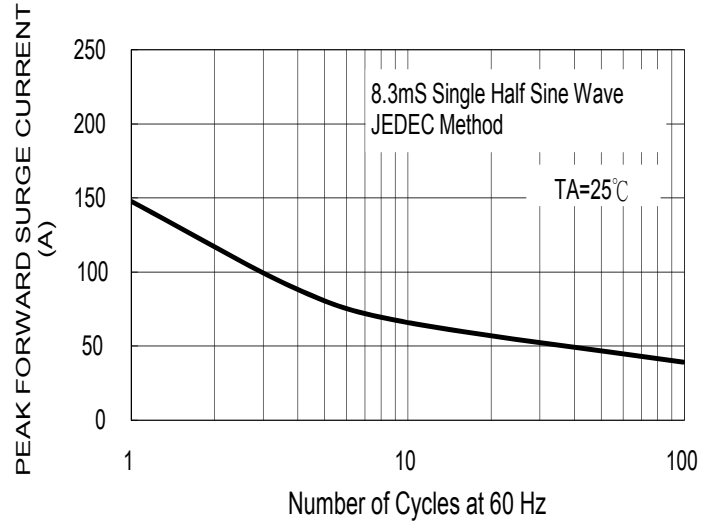


FIG. 3 TYPICAL INSTANTANEOUS FORWARD CHARACTERISTICS

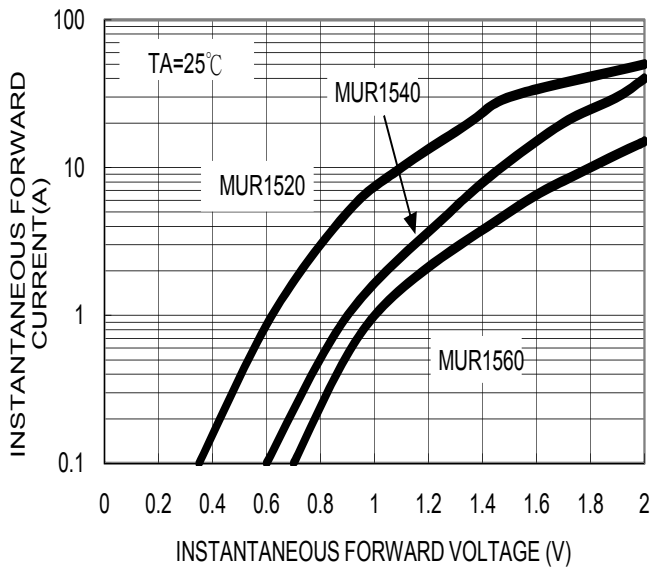
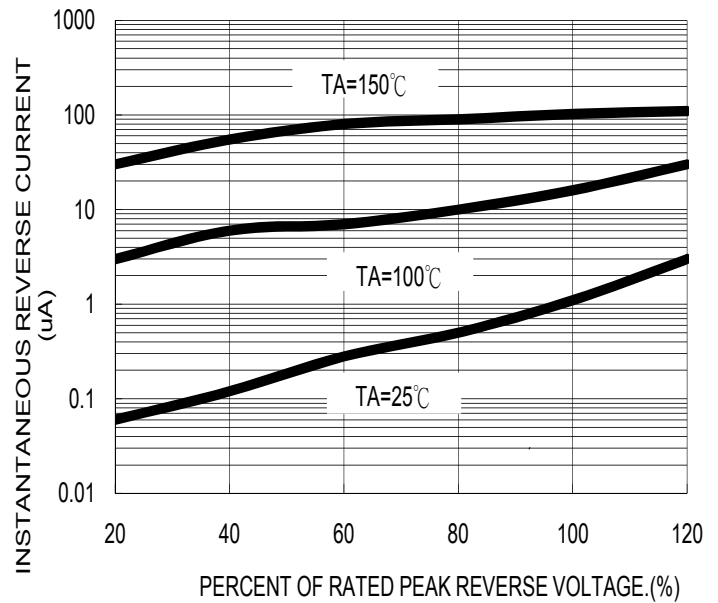


FIG. 4 TYPICAL REVERSE CHARACTERISTICS



X-ON Electronics

Largest Supplier of Electrical and Electronic Components

Click to view similar products for [Rectifiers](#) category:

Click to view products by [LGE](#) manufacturer:

Other Similar products are found below :

[70HFR40](#) [FR105 R0](#) [RL252-TP](#) [1N5397](#) [1N4005-TR](#) [1N4007-BP](#) [UFS120Je3/TR13](#) [20ETS12S](#) [RRE02VS6SGTR](#) [MS306](#) [A1N5404G-G](#)
[CRF02\(T5L,TEMQ\)](#) [ACGRB207-HF](#) [CLH07\(TE16L,Q\)](#) [CLH03\(TE16L,Q\)](#) [1N5395-TP](#) [UES1302](#) [ACGRC307-HF](#) [ACEFC304-HF](#) [DZ-](#)
[1380](#) [85HFR60](#) [40HFR60](#) [70HF120](#) [85HFR80](#) [SCF7500](#) [SM100](#) [ACGRA4001-HF](#) [SKN70/08](#) [NTE5819](#) [NTE5827](#) [NTE5828](#) [NTE5911](#)
[NTE5915](#) [NTE6104](#) [NTE6163](#) [NTE6164](#) [NTE6165](#) [NTE6364](#) [TSD3G](#) [SET130312](#) [NRVUS110VT3G](#) [UES1106](#) [UES1306](#)
[NRVUS240VT3G](#) [D5FE60-5063](#) [R4000GPS-TP](#) [D4015L56TP](#) [UES1306HR2](#) [FX20K120](#) [D20XB60-7101](#)