

# SPECIFICATION



## LIAN DUNG

ELECTRIC WIRE MATERIAL CO., LTD

聯東電線材料股份有限公司

# APPROVED

台灣台中市豐原區三豐路二段 515-16 號  
No.515-16, Sec.2, Sanfeng Rd., Fengyuan Dist.,  
Taichung City 420, Taiwan  
TEL : 886-4-25270346 FAX : 886-4-25270348  
[http : //www.liandung.com.tw](http://www.liandung.com.tw)  
E-mail : [liandung@liandung.com.tw](mailto:liandung@liandung.com.tw)

客戶名稱 : (CUSTOMER NAME)
TME
客戶料號 : (CUSTOMER PART NO.)
A2-03
A2-10
A2-20

PLUG : LT-G053  
CORD : SPT-1 18AWG/2C105D BLK 0.3m/1m/2m  
ISSUE : LD-QA-1070366/1070367/1070368  
DATE : MAR-16-2018

核		審		製	王 俊 堯
准		核		表	

## 1.Scope:

This specification defines the requirements for SPT-1 、 SPT-2 、 SPT-3 power cord for NORTH AMERICAN use.

## 2.Reference Publication:

UL 62 & 817.

CSA C22.2 No.49-06 & No.21-95

## 3.Construction:

3.1 Plug: Catalogue No. LT-301 (UL/CSA TYPE) ; UL File No. E 121791

3.2 Connector: NA

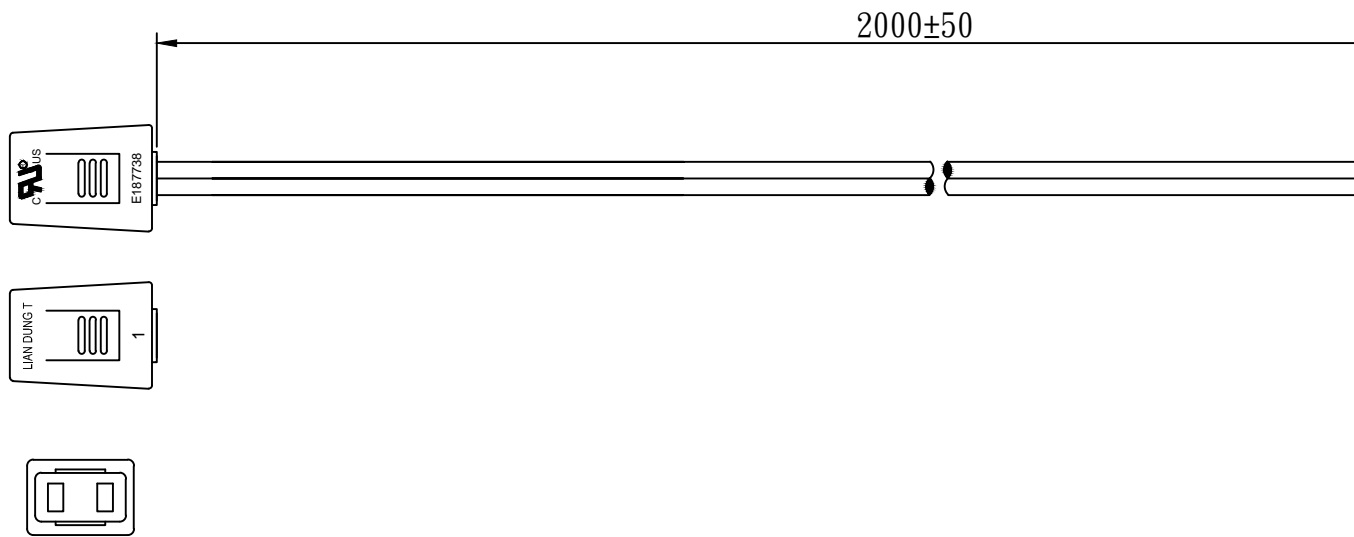
3.3 Flexible cord manufacturerl:

● WU LI

● I-SHENG

### 3.4.Flexible Cord:

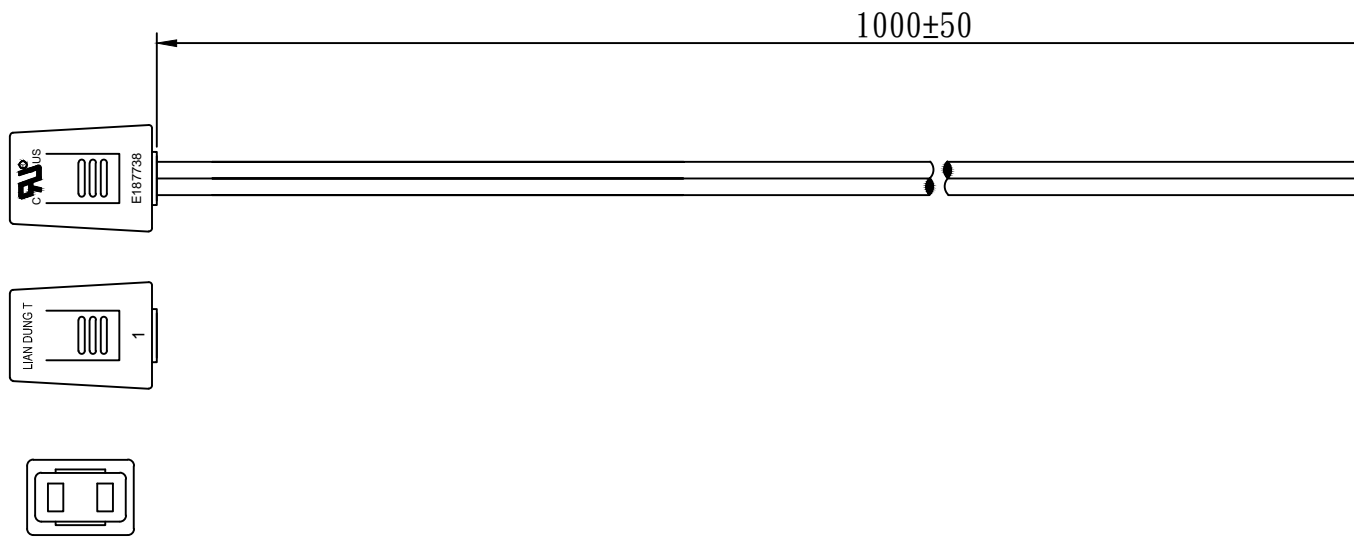
Types	Conductor			Core	Insulation Thickness mm	Jacket Thickness mm	Overall Diameter mm	Rating			
	AWG	mm <sup>2</sup>	No./mm					Voltage V	Temp. °C	Current A	
SPT-1	18	0.81	41/0.16	2	--	0.76	2.70*5.40	300	60.105	10	★
	18	0.81	41/0.16	3	0.33	0.76	2.75*7.48	300	60.105	10	
SPT-2	18	0.81	41/0.16	2	--	1.14	3.40*6.80	300	60.105	10	
	16	1.31	26/0.253	2	--	1.14	3.60*7.20	300	60.105	13	
SPT-2	18	0.81	41/0.16	3	0.35	1.14	3.70*8.60	300	60.105	10	
	16	1.31	26/0.253	3	0.35	1.14	3.60*10.10	300	60.105	13	
SPT-3	18	0.81	40/0.16	2	--	1.52	4.2*8.4	300	60.105	10	
	16	1.31	26/0.253	2	--	1.52	4.5*9.0	300	60.105	13	
	14	2.08	41/0.253	2	--	1.52	5.8*11.6	300	60.105	18	
SPT-3	18	0.81	41/0.16	3	0.35	1.52	4.2*11.0	300	60.105	10	
	16	1.31	26/0.253	3	0.35	1.52	4.5*11.8	300	60.105	13	
	14	2.08	41/0.253	3	0.35	1.52	5.8*14.1	300	60.105	18	



NOTE :

1. CORD : SPT-1 18AWG/2C 105D BLK 2m
2. CUSTOMER : TME
3. Supplier for flexible cord : I-SHENG、WU LI
4. P/N : A2-20

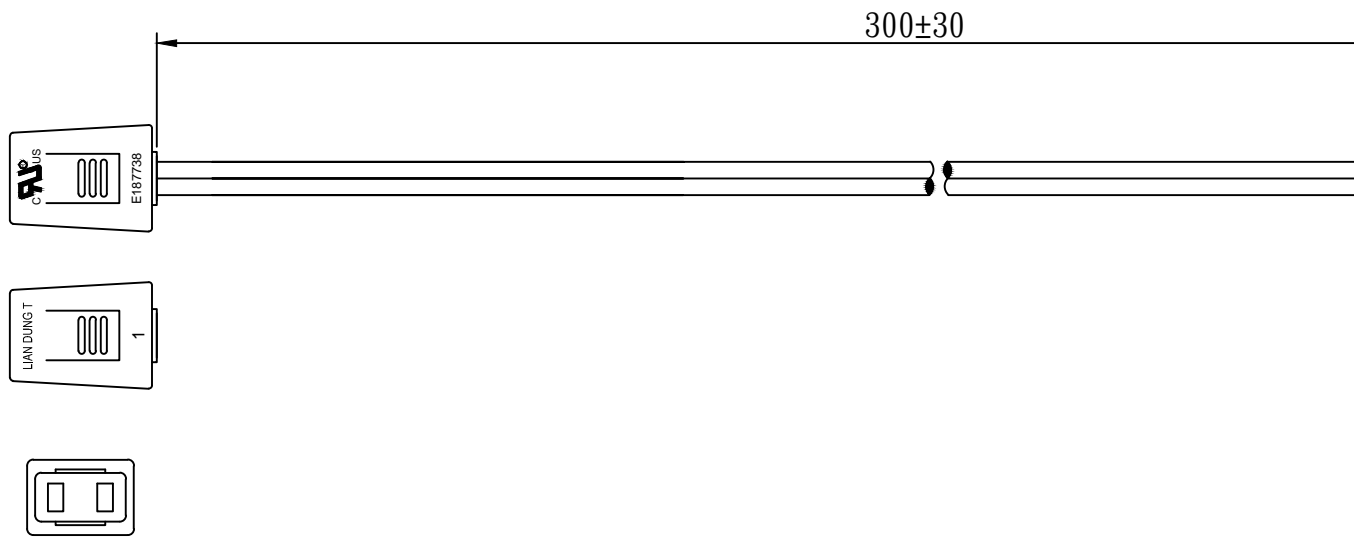
3.			DRAWER	王俊堯	DATE	18/03/16	TITLE	LT-G053
2.			APPROVE		REV.	1	Dr.No.	1070368
1.				比例			TOL.	±5mm
PART	DESCRIPTION	DATE			ALL DIMENSIONS IN mm			



NOTE :

1. CORD : SPT-1 18AWG/2C 105D BLK 1m
2. CUSTOMER : TME
3. Supplier for flexible cord : I-SHENG、WU LI
4. P/N : A2-10

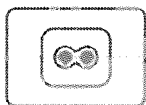
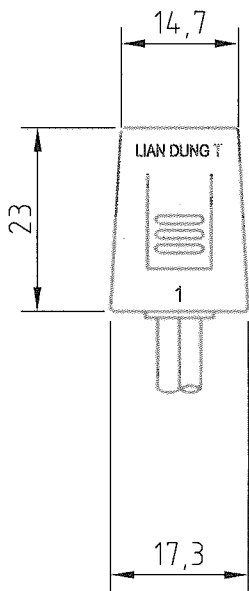
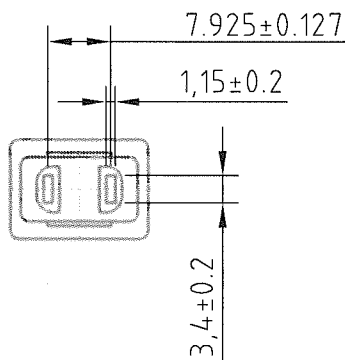
3.			DRAWER	王俊堯	DATE	18/03/16	TITLE	LT-G053
2.			APPROVE		REV.	1	Dr.No.	1070367
1.				比例			TOL.	±5mm
PART	DESCRIPTION	DATE			ALL DIMENSIONS IN mm			



NOTE :

1. CORD : SPT-1 18AWG/2C 105D BLK 0.3m
2. CUSTOMER : TME
3. Supplier for flexible cord : I-SHENG、WU LI
4. P/N : A2-03

3.			DRAWER	王俊堯	DATE	18/03/16	TITLE	LT-G053
2.			APPROVE		REV.	1	Dr.No.	1070366
1.				比例			TOL.	±5mm
PART	DESCRIPTION	DATE			ALL DIMENSIONS IN mm			



PART	DESCRIPTION	DATE	DRAWER	王俊尧	DATE	18/02/12	TITLE	LT-G053
1.			APPROVE		REV.	1	Dr.No.	G-053
2.				比例	1:1	TOL.	$\pm 0.8\text{mm}$	
3.		ALL DIMENSIONS IN mm						



**ELBZ.E121791**  
**Cord Sets and Power-supply Cords**

[Page Bottom](#)

---

**Cord Sets and Power-supply Cords**

[See General Information for Cord Sets and Power-supply Cords](#)

**LIAN DUNG ELECTRIC WIRE MATERIAL CO LTD**

E121791

957-16 SAN FENG RD  
FENG YUAN DISTRICT  
TAICHUNG, 420 TAIWAN



Trademark and/or Tradename:

[Last Updated](#) on 2001-04-19

---

[Questions?](#)

[Print this page](#)

[Terms of Use](#)

[Page Top](#)

◆ 2016 UL LLC

The appearance of a company's name or product in this database does not in itself assure that products so identified have been manufactured under UL's Follow-Up Service. Only those products bearing the UL Mark should be considered to be Certified and covered under UL's Follow-Up Service. Always look for the Mark on the product.

UL permits the reproduction of the material contained in the Online Certification Directory subject to the following conditions: 1. The Guide Information, Assemblies, Constructions, Designs, Systems, and/or Certifications (files) must be presented in their entirety and in a non-misleading manner, without any manipulation of the data (or drawings). 2. The statement "Reprinted from the Online Certifications Directory with permission from UL" must appear adjacent to the extracted material. In addition, the reprinted material must include a copyright notice in the following format: "© 2016 UL LLC".

Cat. NO. LT-G053, **07100** - FIG. 1

General - The general design, shape and arrangement shall be as illustrated except where variations are specifically described. **Cat. No. 07100 is identical to Cat. No. LT-G053 except for different model name.**

Body - Molded PVC, R/C (QMFZ2/8), Cat. No. CS-9371-WBS, see File E177713, manufactured by CHIA SHIN ENTERPRISES CO LTD. See ILL. 1 for dimensional details.

Alternate Material - Molded PVC, R/C (QMFZ2/8), Cat. No. AH-85J, see File E134674, manufactured by RHYTHM WIRE INDUSTRIAL CO LTD.  
Contacts - Two provided, copper alloy, plated optional. Crimped to

conductor with crimping length 2.4 mm and crimping height 1.4 mm for one flexible cord provided, crimping length 2.4 mm and crimping height 1.7 mm for two flexible cord provided. See ILL. 2 for dimensional details.

Cord - Flexible cord, Listed (ZJCZ/7). One or two provided. See the following table for application details.

<u>Cord Size</u>	<u>Cord Type</u>	<u>USL</u>	<u>CNL</u>
18/2 AWG	SPT-1	YES	YES



## I N D E X

CAT. NO.	Electrical A/V	Section	Fig.	USR	CNR
<b>*LT-T018</b>	<b>20/48</b>	1	1	YES	YES
LT-T019	<b>20/48</b>	2	1	YES	YES
LT-G053, <b>07100</b>	<b>10/125</b>	3	1	YES	YES
LT-G067, <b>07190</b>	<b>10/125</b>	3	2	YES	YES
LT-G068, <b>07199</b>	<b>10/125</b>	3	3	YES	YES
LT-G069, <b>07145</b>	<b>10/125</b>	3	4	YES	YES

Note - USR - United States Standard, Recognized Component.

CNR - Canadian National Standard, Recognized Component.



## ZJCZ.E94163 Flexible Cord

[Page Bottom](#)

---

### Flexible Cord

[See General Information for Flexible Cord](#)

**WU LI ELECTRIC WIRE & CABLE CO LTD**

E94163

60 CHUNG-HWA RD, SEC 5  
HSINCHU, 300 TAIWAN

**Decorative cord**, Type(s) CXTW, SPT-1W, SPT-2W, XTW

**Jacketed cord**, Type(s) SJT, SJT-R, SJTW, ST, STW, SVT, SVT-R

**Parallel cord**, Type(s) NISPT-1, NISPT-2, SPT-1, SPT-1-R, SPT-2, SPT-2-R, SPT-3



Trademark and/or Tradename: "E94163" , "LIAN DUNG" ,

[Last Updated](#) on 2013-06-13

---

[Questions?](#)

[Print this page](#)

[Terms of Use](#)

[Page Top](#)

◆ 2014 UL LLC

When the UL Leaf Mark is on the product, or when the word "Environment" is included in the UL Mark, please search the [UL Environment database](#) for additional information regarding this product's certification.

The appearance of a company's name or product in this database does not in itself assure that products so identified have been manufactured under UL's Follow-Up Service. Only those products bearing the UL Mark should be considered to be Certified and covered under UL's Follow-Up Service. Always look for the Mark on the product.

UL permits the reproduction of the material contained in the Online Certification Directory subject to the following conditions: 1. The Guide Information, Assemblies, Constructions, Designs, Systems, and/or Certifications (files) must be presented in their entirety and in a non-misleading manner, without any manipulation of the data (or drawings). 2. The statement "Reprinted from the Online Certifications Directory with permission from UL" must appear adjacent to the extracted material. In addition, the reprinted material must include a copyright notice in the following format: "© 2014 UL LLC".



# PROFILE OF CERTIFICATION REPORTS

178 Rexdale Blvd. Rexdale (Toronto), Ontario M9W 1R3

NUMBR P85694X0000

FILE NO: LL 85694

## SUBMITTOR

Wu Li Electric Wire & Cable Co.  
60 Chung Hua Rd.  
Section 5  
Hsin-Chu, Taiwan  
Attention: Mr. Y.Y. Chang  
Fax: 88635 383138

Page No: CRP 1 of 1  
Date: October 13, 1992  
Replaces: August 28, 1992

## FACTORY

Wu Li Electric Wire & Cable Co.  
60 Chung Hua Rd.  
Section 5  
Hsin-Chu, Taiwan

## INSPECTION OFFICE

Taiwan

## FILE NO

LL 85694

## REPORT NO-APPL. NO

-1

## SUBJECT

April 4, 1989 - Certification of  
equipment wire Type TXF, 60C, 125V.

-2

January 3, 1991 - Flexible cord Type  
SPT-1 (2 conductor construction) rated at  
60C, FT2.

-3

January 30, 1991 - Flexible cord Type  
SPT-1 (2 conductor) rated at 105C, FT2.

-4,-8

August 28, 1991 - Supplementary  
certification of flexible cords Type  
SPT-2 (2 conductor construction) rated  
60C, 105C, FT2. In all colours except  
clear and transparent.

-11, -12

October 13, 1992 - AWM, single conductor  
construction with PVC insulation, Class  
I, Group A/B, 80C, 105C, 300V, 600V,  
FT1.

\* \* \* \* \* \* \* \* \* \*bm



## ZJCZ.E88265 Flexible Cord

[Page Bottom](#)

---

### Flexible Cord

[See General Information for Flexible Cord](#)

**I SHENG ELECTRIC WIRE & CABLE CO LTD**

E88265

52 TIN HWU RD

TA GANN VILLAGE

GWAI SAN HSIAN, TAOYUAN HSIEN 333 TAIWAN

**Clock cord**, Type(s) Clock

**Decorative cord**, Type(s) CXTW, SPT-1W, SPT-2W, XTW

**Dryer and range cord**, Type(s) SRDT

**Heater cord**, Type(s) HPN

**Jacketed cord**, Type(s) S, SJ, SJO, SJOO, SJOOW, SJOW, SJT, SJT-R, SJTO, SJTW, SO, SOO, SOOW, SOW, ST, STO, STOW, STW, SV, SVO, SVOO, SVT, SVT-R

**Parallel cord**, Type(s) NISPT-1, NISPT-2, SPT-1, SPT-2, SPT-2-R, SPT-3

Trademark and/or Tradename: "CERROWIRE"

[Last Updated](#) on 2013-09-26

---

[Questions?](#)

[Print this page](#)

[Terms of Use](#)

[Page Top](#)

◆ 2014 UL LLC

When the UL Leaf Mark is on the product, or when the word "Environment" is included in the UL Mark, please search the [UL Environment database](#) for additional information regarding this product's certification.

The appearance of a company's name or product in this database does not in itself assure that products so identified have been manufactured under UL's Follow-Up Service. Only those products bearing the UL Mark should be considered to be Certified and covered under UL's Follow-Up Service. Always look for the Mark on the product.

UL permits the reproduction of the material contained in the Online Certification Directory subject to the following conditions: 1. The Guide Information, Assemblies, Constructions, Designs, Systems, and/or Certifications (files) must be presented in their entirety and in a non-misleading manner, without any manipulation of the data (or drawings). 2. The statement "Reprinted from the Online Certifications Directory with permission from UL" must appear adjacent to the extracted material. In addition, the reprinted material must include a copyright notice in the following format: "© 2014 UL LLC".

NISPT-1	300	20,18	2,3	PVC	PVC	1,2,6
SPT-2	300	18,16	2,3	PVC	-	1,2,3
NISPT-2	300	18,16	2,3	PVC	PVC	1,2,6
SPT-3	300	18-10	2,3	PVC	-	1, 2
SVT	300	18,17,16	2,3	PVC	PVC	1,2,4
SJT	300	18-10	2-6	PVC	PVC	1,2,4
SJTO	300	18-10	2-6	PVC	PVC	1,2
SJTW, SJTOW	300	18-10	2-6	PVC	PVC	1,2,4,5
ST	600	18-2	2 or more	PVC	PVC	1,2,4
STW, STOW	600	18-2	2 or more	PVC	PVC	1,2,4,5
PXT	125	20	2	PVC	-	1,2,7
PXWT	300	18, 16	2	PVC	-	1,2,5,7
S	600	18-2	2 or more	EP	CPE	1,2,7
SO	600	18-2	2 or more	EP	CPE	1,2,7
SOO	600	18-2	2 or more	EP	CPE	1,2,7
SOW	600	18-2	2 or more	EP	CPE	1,2,7
SOOW	600	18-2	2 or more	EP	CPE	1,2,7
SJ	300	18-10	2-6	EP	CPE	1,2,7
SJO	300	18-10	2-6	EP	CPE	1,2,7
SJOO	300	18-10	2-6	EP	CPE	1,2,7
SV	300	18,17,16	2 or 3	EP	CPE	1,2,7
SVO	300	18,17,16	2 or 3	EP	CPE	1,2,7
SVOO	300	18,17,16	2 or 3	EP	CPE	1,2,7

- Max temperature 90C:

S	600	18-2	2 or more	EP	CPE	1,2,7
SO	600	18-2	2 or more	EP	CPE	1,2,7
SOO	600	18-2	2 or more	EP	CPE	1,2,7
SOW	600	18-2	2 or more	EP	CPE	1,2,7
SOOW	600	18-2	2 or more	EP	CPE	1,2,7
SJ	300	18-10	2-6	EP	CPE	1,2,7
SJO	300	18-10	2-6	EP	CPE	1,2,7
SJOO	300	18-10	2-6	EP	CPE	1,2,7
HPN						

\*mm<sup>2</sup> sizes also apply.

Notes:

1. In all colours except for clear and translucent.
2. Flame classification - FT2.
3. Includes two-conductor constructions in clear or translucent.
4. Optional shielding.
5. Low temperature rating: -40C.
6. Non-integral construction.
7. Flame classification - FT1.
8. HPN with 16 or 18 AWG, 3 conductor, EP ground conductor insulation.

vii

---

Copyright © 2007 CSA International. All rights reserved.

## X-ON Electronics

Largest Supplier of Electrical and Electronic Components

*Click to view similar products for [AC Power Leads](#) category:*

*Click to view products by [LIAN DUNG](#) manufacturer:*

Other Similar products are found below :

[1300000159](#) [1300030004](#) [1300000017](#) [1300000113](#) [6483](#) [70-841-030](#) [1300030156](#) [1300010059](#) [1300000197](#) [1300010120](#) [1300000110](#)  
[1300010103](#) [1300000160](#) [1300000018](#) [1300030127](#) [1300000026](#) [1300000136](#) [1300000146](#) [1300000071](#) [1300030131](#) [1300000027](#)  
[1300000166](#) [1300000235](#) [1300000167](#) [1300010011](#) [1300000168](#) [1300010029](#) [1300000169](#) [1300010095](#) [1300000222](#) [1300010030](#)  
[PC20C13BL8.2](#) [PC20C13BL8.2-X](#) [07199-SP024](#) [PC14C13RD10-Q](#) [PC14C13YL10-Q](#) [LPCA16X](#) [LPCA21X](#) [NPCA16X](#) [NPCA21X](#)  
[LPCA17X](#) [LPCA22X](#) [NPCA17X](#) [NPCA22X](#) [LPCA18X](#) [LPCA23X](#) [NPCA18X](#) [NPCA23X](#) [NPCA19X](#) [NPCA24X](#)