

RoHS

SPECIFICATIONS

Rated Current:3.0AMP

Contact Resistance:20mΩ Max

Withstand Voltage:1000V AC/DC

Insulation Resistance:1000MΩ Min

Operation Temperature:-40°C to +105°C

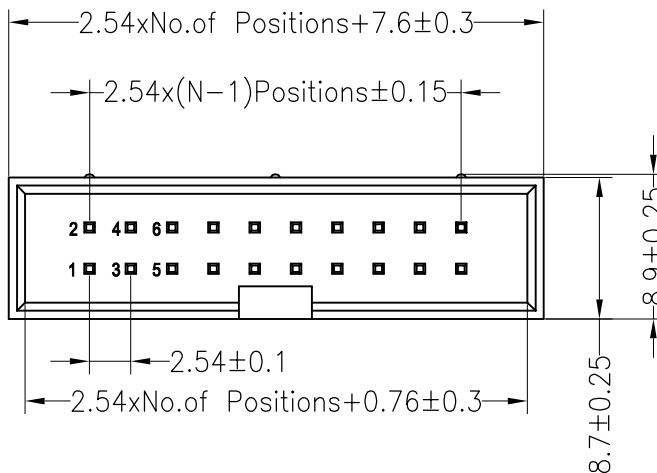
Contact Material:Brass

Contact Plating:Au Over Ni

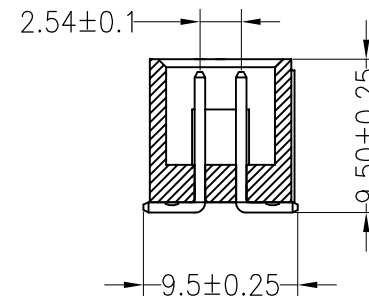
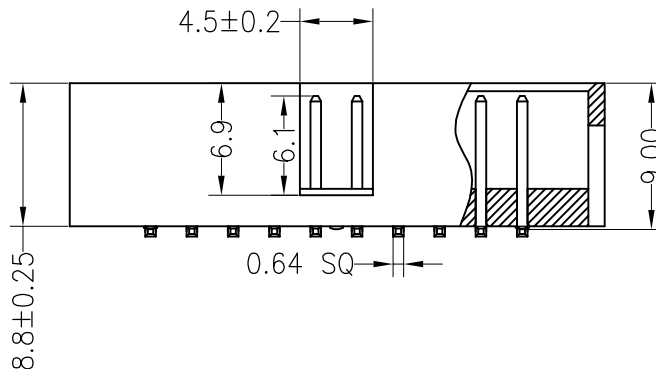
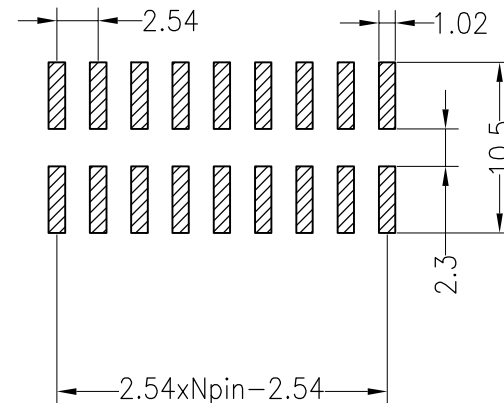
Insulator Material:Polyester(UL94V-0)

Standard: PA6T

Max.Processing Temp: 230°C for 30-60 seconds
(260°C for 10 seconds)



Recommended P.C.B Layout(Top Side)
(PCB BOARD TOLERANCE±0.05)



| | | | | | | | | | | | | | |
|-----|------------|--------------------------|--|-----------|-------|---------|--|-------|-----|----------|--|--------------------------|--|
| | | | | OPERATION | | DRAW | | SCALE | | FIT | | 深圳市连盛精密连接器有限公司 | |
| | | | | X.X | ±0.30 | | | UNIT | mm | | | | |
| | | | | X.XX | ±0.20 | CHECK | | SIZE | A4 | PART NO. | | BH-00143 | |
| | | | | X.XXX | ±0.10 | | | SHEET | 1/1 | TITLE: | | 2.54mmBXO 32P H8.8mm SMT | |
| | | | | Angle | ±3' | APPROVE | | PROJ. | ◆ | | | | |
| | | | | DIM | TOL | | | | | | | | |
| REV | DATE | MODIFICATION DESCRIPTION | | CHANGE | | | | | | | | | |
| 1 | 2012.03.28 | NEW DRAWING | | | | | | | | | | | |

X-ON Electronics

Largest Supplier of Electrical and Electronic Components

Click to view similar products for [I/O Connectors](#) category:

Click to view products by [Liansheng](#) manufacturer:

Other Similar products are found below :

[571763P](#) [61-168618-12P](#) [D20419-211](#) [72.250.1628.2](#) [72.250.2428.2](#) [76.350.0729.0](#) [76871-1403](#) [PCR-E36PM](#) [PCS-XE26LKA](#) [PCS-XES68MS+](#) [G38A71314B](#) [9776-18-6](#) [1571250010](#) [157-22500-3](#) [MS3471L14-19P L/C](#) [192991-0703](#) [91-644626-35P](#) [172501-6002](#) [FCN-260C008-A/L0](#) [FCN-260C024-AL0](#) [FCN-261Z008](#) [2000314-1](#) [200331-1](#) [PCS-E28FS+](#) [PCS-XE26SLFD+](#) [PCS-XE26SLFDT+](#) [G730VID08BDC24](#) [HDMR-29-01-S-SM-TR](#) [HDRA-E68W1LFDTC-SL+](#) [54182-0605](#) [UE86K842720321](#) [38113800006](#) [DP3AR020WQ1R200](#) [Z4.102.0680.0](#) [500-1040](#) [500-1052](#) [500-1054](#) [ZP-4008-66L](#) [10-565995-597N](#) [10-584459-12P](#) [5554841-1](#) [SM3106F14S-7S-LC](#) [SM3106R18-18S](#) [U90B3054061110](#) [U65-E04-4020](#) [ZPF000000000097891](#) [557-262M2-06C](#) [PCS-96LFD+](#) [60-042222-02S](#) [10099439-003C-TRLF](#)