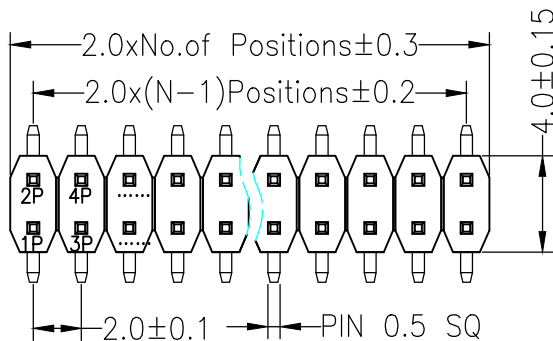


RoHS

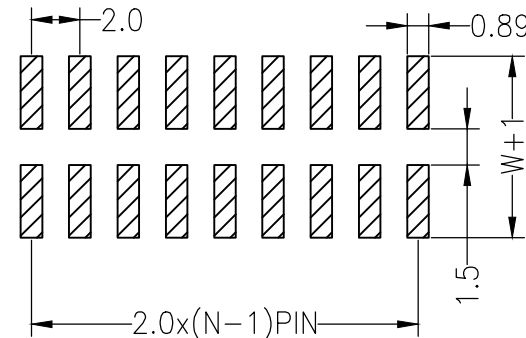
SPECIFICATIONS

Rated Current:1.5AMP
 Contact Resistance:20mΩ Max
 Withstand Voltage:500V AC/DC
 Insulation Resistance:1000MΩ Min
 Operation Temperature:-40°C to +105°C

Contact Material:Brass
 Contact Plating: Au or Sn Over Ni
 Insulator Material:Polyester(UL94V-0)
 Standard: PA6T
 Max.Processing Temp: 230°C for 30-60 seconds
 (260°C for 5 seconds)



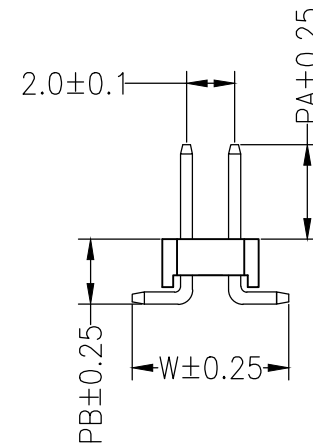
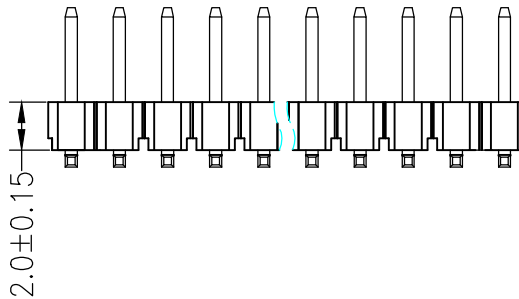
Recommended P.C.B Layout(Top Side)
 (PCB BOARD TOLERANCE±0.05)



Ordering Information

1320 1 2 XX X X XX M XXX X 0X

No.of Pins Per Row 2*40	Insulator Material Option A=BK-PBT B=BK-PA66 C=BK-PA6T D=BK-PA46 E=BK-PA9T F=BK-LCP	Post W=With Post N=W/O Post	Contact Plating G0:0.8U" Gold G1:1U" Gold G2:1.5U" Gold G3:2U" Gold G4:3U" Gold S0:Gold Flash/Tin SN:Tin	Pin Length	Packing O=PE Bag A=Tray T=Tube P=Tube+Cap R=Reel+Cap M=Reel+Mylar
----------------------------	---	-----------------------------------	---	------------	---



Dimension antitheses list				
ITEM	PA	PB	W	L
Standard	12.50	2.50	6.00	16.5
Alternate				

				OPERATION		DRAW	LU	12.04.11	SCALE	FIT	深圳市连盛精密连接器有限公司 PART NO. PH-01523 TITLE: 2.0PH 2x3pin H2.0MM SMT	
				X.X	±0.30				UNIT	mm		
				X.XX	±0.20	CHECK	SIZE	A4				
A0	2012.04.11	NEW DRAWING		X.XXX	±0.10	APPROVE	SHEET	1/1				
REV	DATE	MODIFICATION DESCRIPTION	CHANGE	Angle	±3°		PROJ.					
				DIM	TOL							

X-ON Electronics

Largest Supplier of Electrical and Electronic Components

Click to view similar products for [Headers & Wire Housings](#) category:

Click to view products by [Liansheng](#) manufacturer:

Other Similar products are found below :

[57102-F02-18ULF](#) [58102-G61-06LF](#) [582553-1](#) [009176003701906](#) [01.001.5753.1](#) [0050291907](#) [02.125.8002.8](#) [609-3404](#) [61062-3](#)
[CSU011177004](#) [622-0430](#) [622-3653LF](#) [63453-116](#) [636-1030](#) [636-1427](#) [636-3427](#) [636-4007](#) [641938-9](#) [65495-038](#) [65692-001LF](#) [65781-018](#)
[65781-047](#) [65817-010LF](#) [65817-015LF](#) [66207-023LF](#) [67095-007LF](#) [67601157](#) [68631-112](#) [68645-018](#) [699319-000](#) [M90C108951C](#)
[70.362.1628.0](#) [70-4210](#) [70-4226B](#) [70-4853B](#) [707-5028](#) [71.350.2428.0](#) [71961-016LF](#) [733-134](#) [733-162](#) [754199-000](#) [760-3052](#) [80.063.4001.1](#)
[800-90-001-10-001000](#) [800-90-010-10-002000](#) [801-43-002-10-013000](#) [801-43-006-10-002000](#) [803-41-018-10-001000](#) [803-43-024-10-](#)
[001000](#) [803-93-012-10-001000](#)