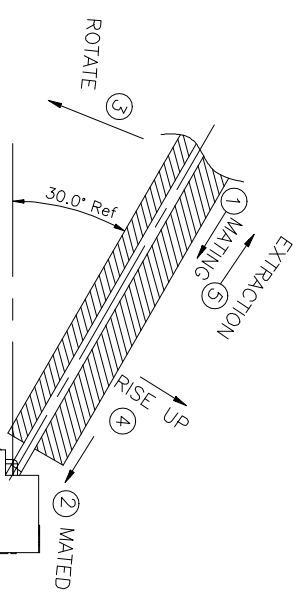
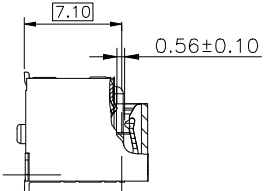
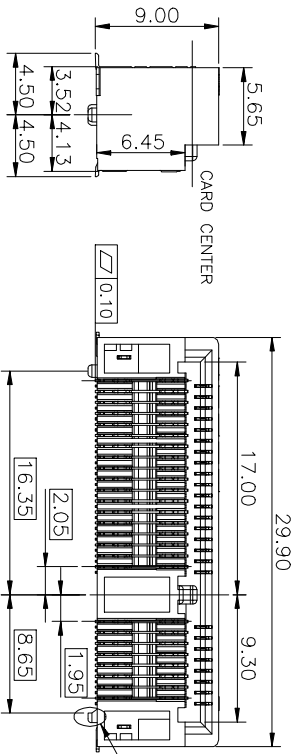
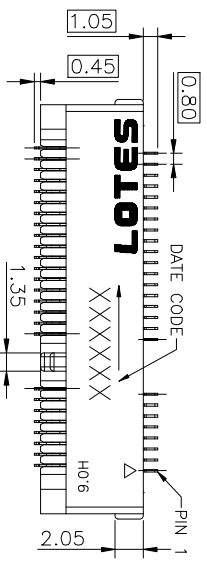
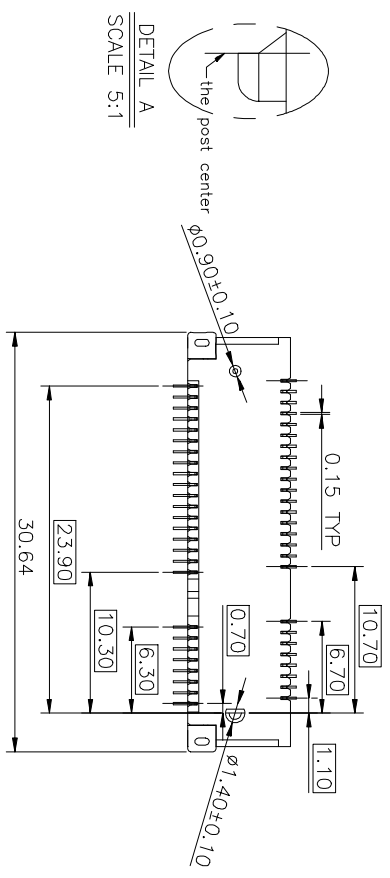


REV.	ECRN NO./DESCRIPTION	DATE	DRAWN	CHECKED	APPROVE
10	SN12124	07/02/12	Tracy	Raymond	Barney
10A	SR12***	08/13/12	Tracy	Raymond	Barney
10B	SR12***	01/09/13	Tracy	Raymond	Barney



TABLE

9	AAA-PCI-047-P14_A	BLACK,Au 150u" HF
8	AAA-PCI-047-P13	BLACK,Au 50u" HF
7	AAA-PCI-047-P11_A	WHITE,Au 100u" HF
6	AAA-PCI-047-P10P10_A	BLACK,Au 100u" HF
5	AAA-PCI-047-P06	WHITE,Au10u" HF
4	AAA-PCI-047-P05	BLACK,Au 30u" HF
3	AAA-PCI-047-P01/P02	BLACK,Au1u" MIN HF
2	AAA-PCI-047-K04	BLACK,Au 30u"
1	AAA-PCI-047-K01/K02	BLACK,Au1u" MIN



NO.	PART NO.	DESCRIPTION
GENERAL TOLERANCES UNLESS SPECIFIED		
X ± 0.35	X ± 3°	SEE TABLE
XX ± 0.25	X ± 2°	APPROVED BY Barney
XXX ± 0.15	XX ± 1°	CHECKED BY Raymond
CUSTOMER DRAWING		
SIZE	UNITS	DRAWN BY XU
A4	MM [INCH]	
DWG NO. AP-AAA-PCI-047		
TITLE MINI PCI EXPRESS 9.0H 0.8PITCH 52P		
SHEET 1 / 6		
SCALE 2 : 1		
REV 10B		

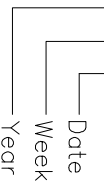



NOTES:
 1. MATERIAL:
 CONTACT:C2680,50u"Min.NICKEL UNDERPLATING.
 GOLD FLASH ON SOLDER AREA.
 GOLD PLATING ON CONTACT AREA (DETAIL SEE TABLE)
 PEG:C2680,50u"Min.NICKEL UNDERPLATING,
 MATTE-Tin, 100u"Min OVER NICKEL.
 HOUSING:LCP+30%GF,UL-94V0

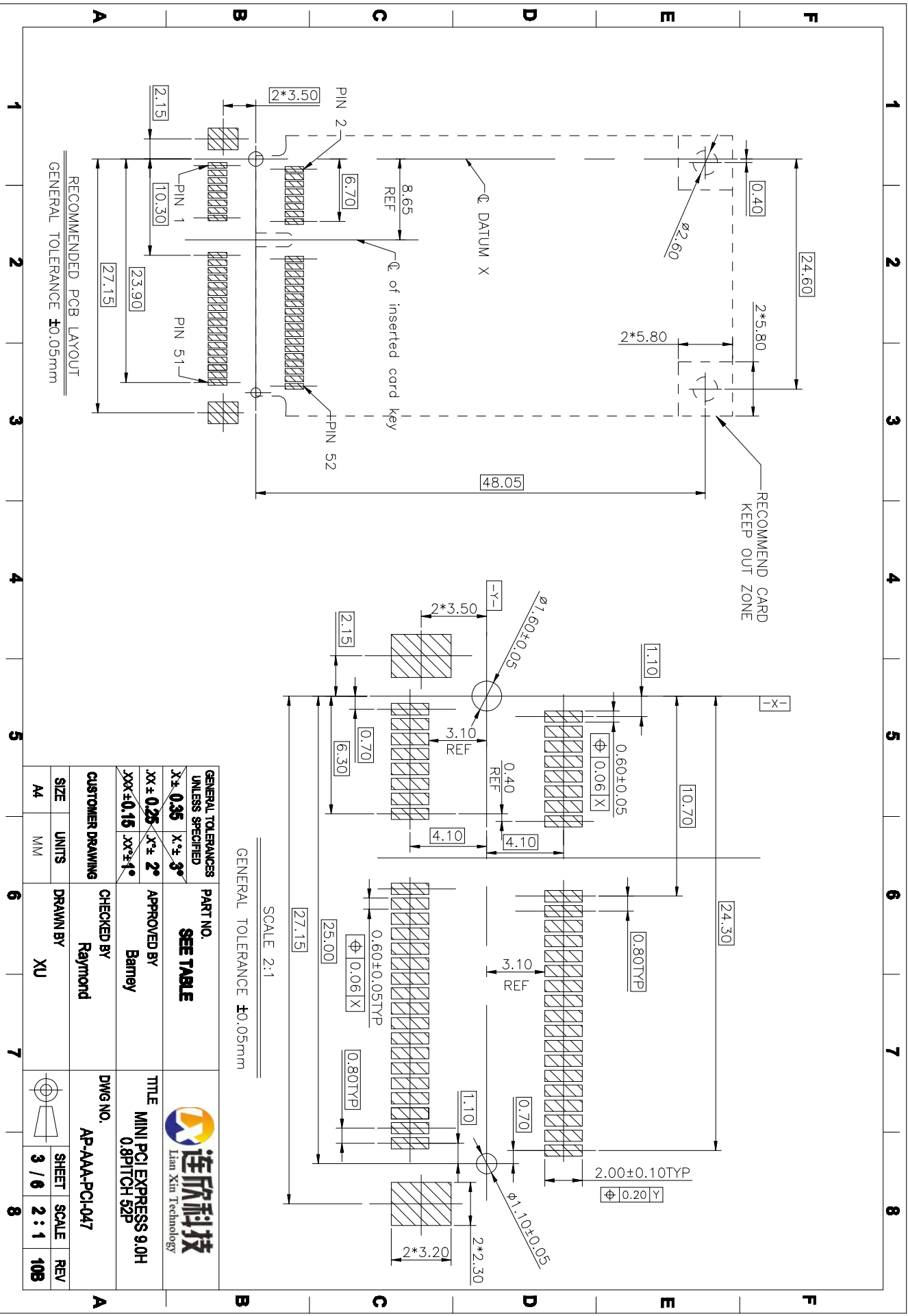
2. ROHS,HF COMPLIANT.
 3. ELECTRICAL PERFORMANCE
 CONTACT RESISTANCE:55mΩ MAX.PER CONTACT
 INSULATION RESISTANCE:500MΩ MIN
 4. MECHANICAL PERFORMANCE
 DURABILITY:50 CYCLES
 MATING AND UNMATING FORCE:2.3Kgf MAX
 5. IR REFLOW TEMPERATURE:250°C±10°C FOR 10 SECONDS MAX.
 6. PRODUCT NUMBER NOTE:AAA-PCI-***-*** *



7. DATE CODE NOTE:
 XXXXXX



GENERAL TOLERANCES UNLESS SPECIFIED		PART NO.	DWG NO.	
X° ± 0.35	X° ± 3°	SEE TABLE	 连欣科技 Lian Xin Technology	
XX ± 0.25	X° ± 2°	APPROVED BY	TITLE	
XXX ± 0.15	XX ± 1°	Bartney	MINI PCI EXPRESS 9.0H 0.8PITCH 52P	
CUSTOMER DRAWING		CHECKED BY	DWG NO.	
SIZE	UNITS	Raymond	AP-AAA-PCI-047	
A4	MM	DRAWN BY	SHEET	
		XU	2 / 6	
			SCALE	
			5 : 2	
			REV	
			10B	

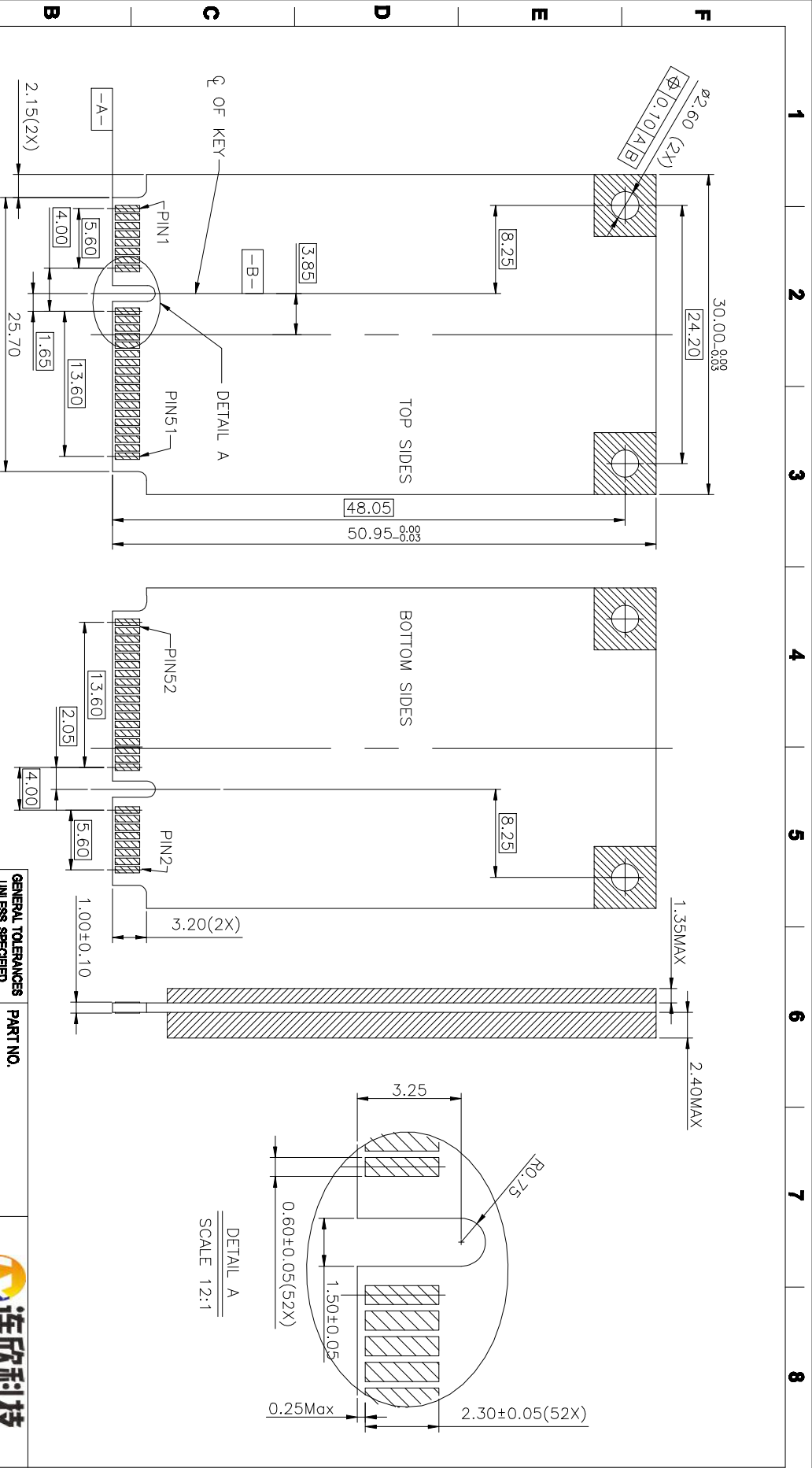


GENERAL TOLERANCES UNLESS SPECIFIED	PART NO.	TITLE
$X \pm 0.35$	SEE TABLE	MINI PCI EXPRESS 9.0H
$X \pm 0.25$	APPROVED BY Baimy	0.8PITCH 52P
$XX \pm 0.15$	CHECKED BY Raymond	
$XXX \pm 0.15$	CUSTOMER DRAWING	

SIZE	UNITS	DRAWN BY	DWG NO.
A4	MM	XU	AP-AAA-PCI-047

SHEET	SCALE	REV
3 / 6	2 : 1	108



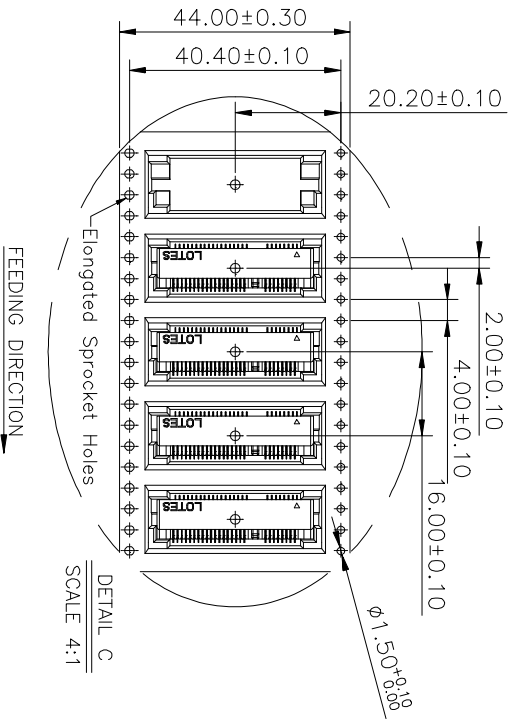
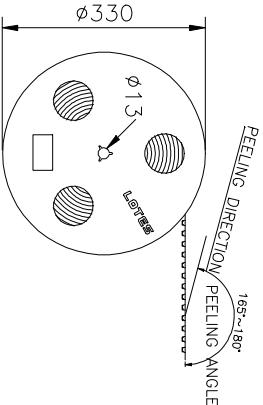
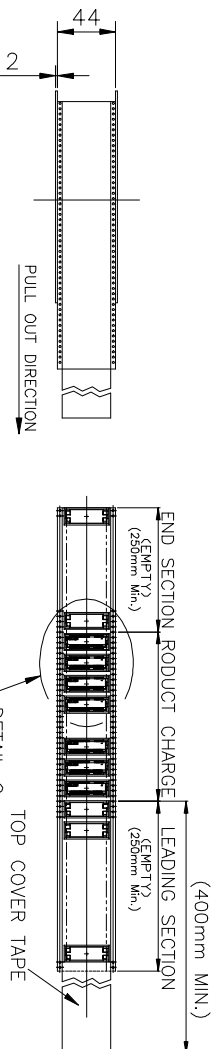


MINI PCI EXPRESS MODULE BOARD LAYOUT

GENERAL TOLERANCES UNLESS SPECIFIED		PART NO. SEE TABLE		TITLE MINI PCI EXPRESS 9.0H 0.9PITCH 52P	
X ± 0.35	X ± 3°	APPROVED BY Barney		DWG NO. AP-AAA-PCI-047	
XX ± 0.25	X ± 2°	CHECKED BY Raymond		SHEET SCALE REV	
XXX ± 0.15	XX ± 1°	DRAWN BY XU		4 / 6 2 / 1 108	

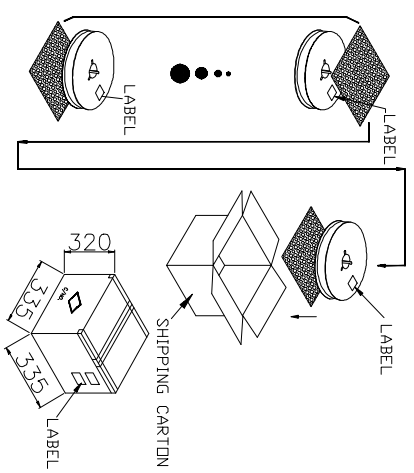


CUSTOMER DRAWING	SIZE A4	UNITS MM
------------------	---------	----------



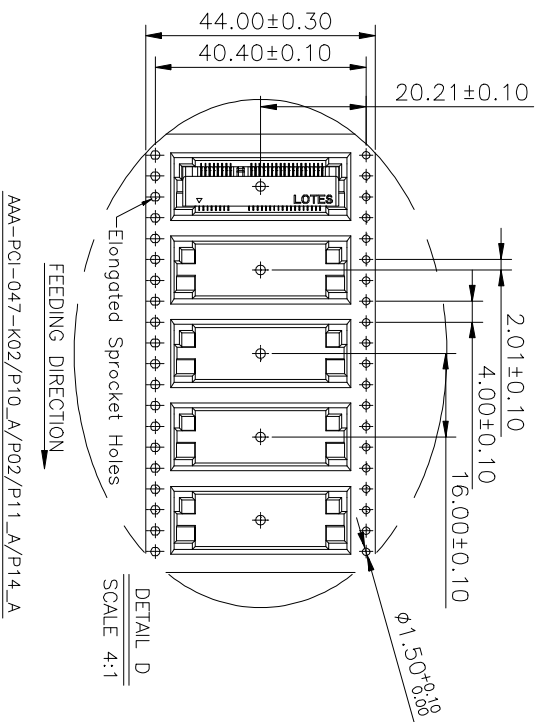
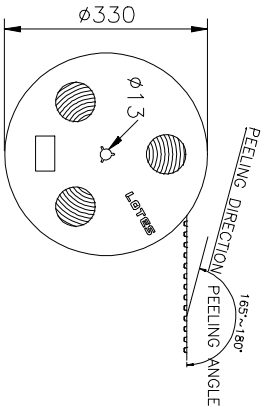
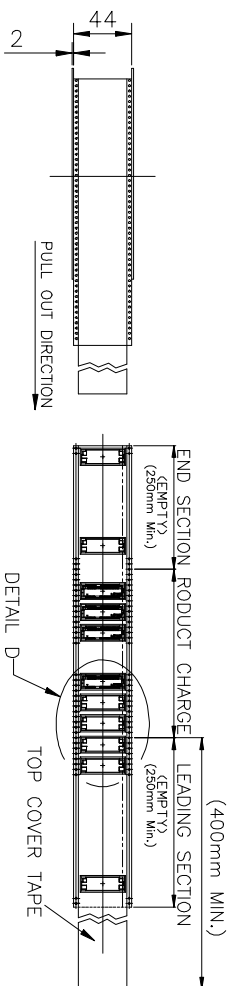
AAA-PCI-047-K01/K04/P01/P05/P06/P10/P13/P14

- NOTES:
- MATERIAL :
 - CARRY TAPE: PS
 - COVER TAPE: PET
 - SHIPPING CARTON: CORRUGATED FIBER
 - DIMENSION :
 - REEL: W=44.5, $\phi A=330$
 - SHIPPING CARTON: L=335, W=335, H=300 (INNER)
 - QUANTITY :
 - PRIMARY PACKING: 350 PCS/REEL
 - SECONDARY PACKING: 6 REELS/CARTON(2100PCS)
 - PEELING RESISTANCE: 20gf~120gf.
 - PEELING SPEED: 300mm/minutes.

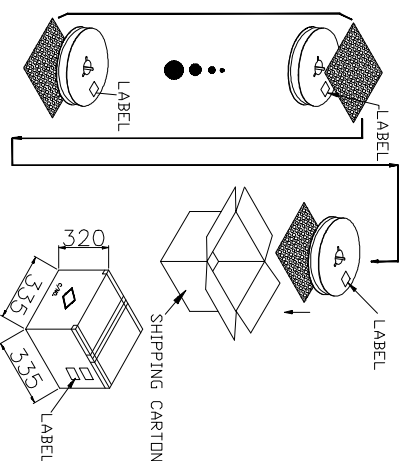


GENERAL TOLERANCES UNLESS SPECIFIED		PART NO. SEE TABLE		TITLE	
X ± 0.35	X ± 3°	APPROVED BY Barney		MINI PCI EXPRESS 9.0H	
XX ± 0.25	X ± 2°	CHECKED BY Raymond		0.8PITCH 52P	
XXX ± 0.16	XX ± 1°	DRAWN BY XU		DWG NO. AP-AAA-PCI-047	
CUSTOMER DRAWING				SHEET	SCALE
SIZE	UNITS			5 / 6	N/A
A4	MM				REV
					109





- NOTES:
- MATERIAL :
 - CARRY TAPE: PS
 - COVER TAPE: PET
 - SHIPPING CARTON: CORRUGATED FIBER
 - DIMENSION :
 - REEL: W=44.5, $\phi A=330$
 - SHIPPING CARTON: L=335, W=335, H=320 (INNER)
 - QUANTITY :
 - PRIMARY PACKING: 350 PCS/REEL
 - SECONDARY PACKING: 6 REELS/CARTON(2100PCS)
 - PEELING RESISTANCE: 20gf~120gf.
 - PEELING SPEED: 300mm/minutes.



GENERAL TOLERANCES UNLESS SPECIED		PART NO. SEE TABLE		TITLE MINI PCI EXPRESS 9.0H 0.8PITCH 52P
X ± 0.35	X ± 3°	X ± 0.25	X ± 2°	
XXX ± 0.16	XX ± 1°	APPROVED BY Barney		DWG NO. AP-AAA-PCI-017
CUSTOMER DRAWING		CHECKED BY Raymond		
SIZE A4	UNITS MM	DRAWN BY XU	SHEET 6 / 6	
			SCALE N/A	REV 103



AAA-PCI-047-K02/P10_A/P02/P11_A/P14_A

X-ON Electronics

Largest Supplier of Electrical and Electronic Components

Click to view similar products for [Standard Card Edge Connectors](#) category:

Click to view products by [Lian Xin](#) manufacturer:

Other Similar products are found below :

[CR7E-30DB-3.96E\(72\)](#) [6565204-6](#) [1437274-4](#) [1-582587-1](#) [284-0102-12100](#) [286-0052-12101A](#) [306022901000000](#) [A6D22DS29C2](#) [1926088-2](#) [245-062-520-350](#) [287-0032-12101](#) [306-028-525-102](#) [307-072-526-202](#) [330-030-500-278](#) [345-060-559-303](#) [534671-1](#) [341-240-317](#) [345-044-500-300](#) [346-240-318](#) [C7D10DS29C1M133](#) [395-100-524-300](#) [09-07-2032](#) [10035388-802LF](#) [10115859-011LF](#) [10122859-009LF](#) [101269333204245CLF](#) [530555-1](#) [66925-516LF](#) [5145409-2](#) [73726-0005](#) [66308-1](#) [EBC05DRXN](#) [KSLX-62-BR](#) [CE100F26-7-C](#) [CE100F28-3-D](#) [CE100F28-4-D](#) [CE156F22-9-C](#) [CT100F24-3-D](#) [CT100F24-6-C](#) [MLSS100-12-C](#) [SCC100F-11-C](#) [SCC100F-20-C](#) [SCC100F-24-C](#) [SCC100F-25-C](#) [3-530656](#) [2512250177](#) [285-0112-12300](#) [346-068-556-300](#) [284-0492-11000](#) [287-0032-12301](#)