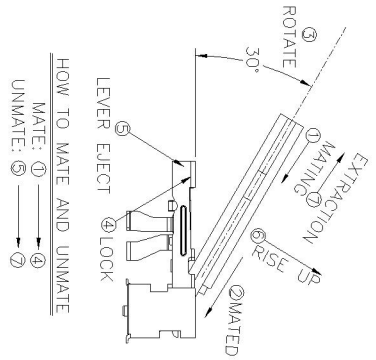
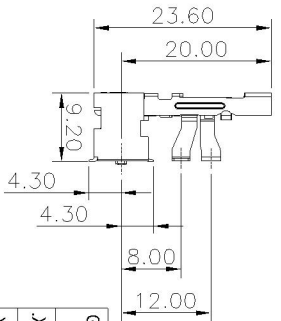
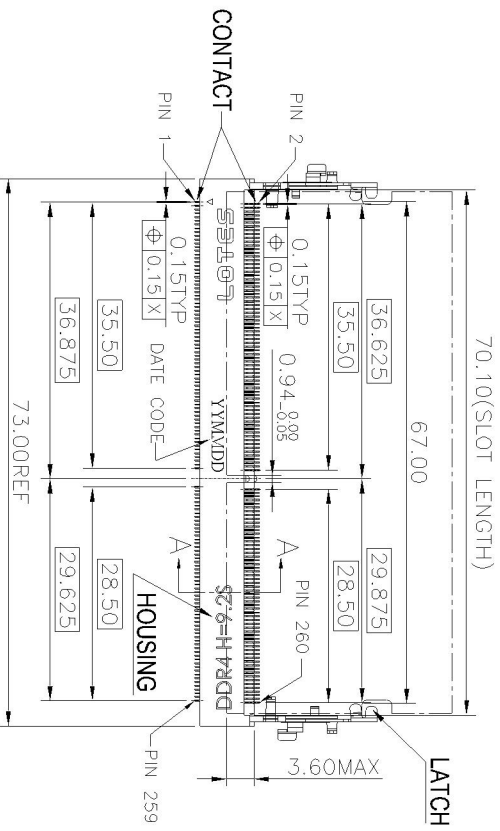
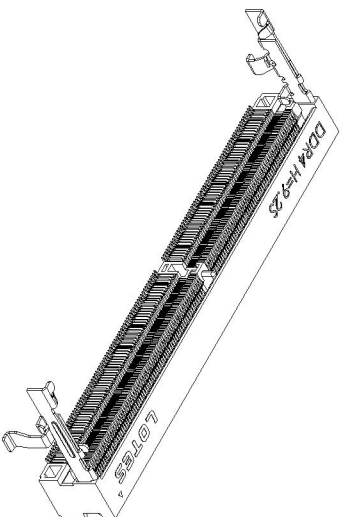
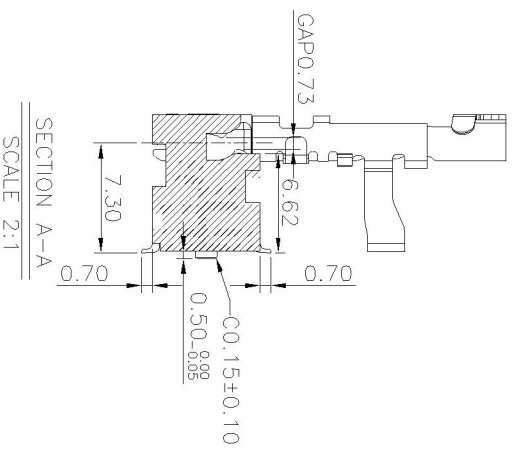
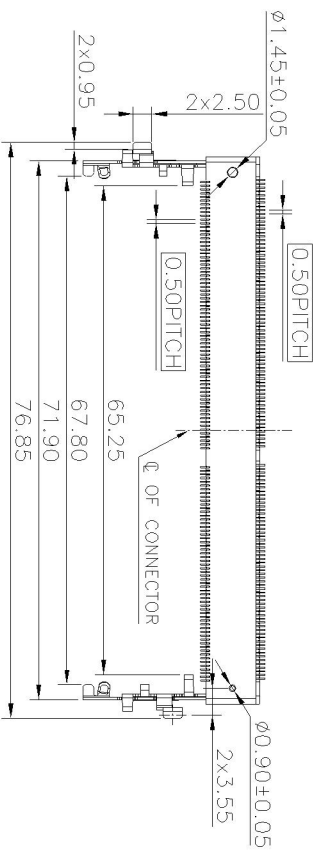


REV.	ECRN NO./DESCRIPTION	DATE	DRAWN	CHECKED	APPROVE
I	RD14011	03/04/15	XU	Vito	Barney
J	RD14011	06/11/15	XU	Vito	Barney
K	RD14011	11/09/15	XU	Vito	Barney



GENERAL TOLERANCES UNLESS SPECIFIED		PART NO.	TITLE	
X ± 0.35	X° ± 3°	ADDR0110-P001A	深圳市连欣科技有限公司	
XX ± 0.25	X° ± 2°	APPROVED BY Barney	SODDR4 9.2H 260 PIN STD TYPE	
XXX ± 0.15	.XX ± 1°	CHECKED BY Vito	DWG NO. AP-ADDR0110	
CUSTOMER DRAWING				
SIZE A4	UNITS MM [INCH]	DRAWN BY XU	SHEET 1 / 5	SCALE 1 : 1
			REV K	

2 3 4 5 6 7 8

NOTES:

1. MATERIALS:

HOUSING: LCP, UL 94V-0.
 CONTACT: BRASS C2680.
 LATCH: STAINLESS STEEL SUS301.

2. FINISH:

1) CONTACT: UNDERPLATED NICKEL 50~150u",
 PLATING ON SOLDER AREA: SEE TABLE
 GOLD PLATING ON CONTACT AREA: SEE TABLE
 2) LATCH: UNDERPLATED NICKEL 50~150u", MATTE TIN 80u" MIN.
 3. ELECTRICAL PERFORMANCE

TABLE:

NO.	PART NO.	COLOR	DESCRIPTION
1	ADDR0110-P001A	BLACK	GOLD G/F ON CONTACT AREA MATTE TIN ON SOLDER AREA

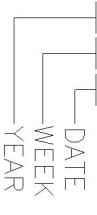
LLCR INITIAL 50mΩ MAX PER CONTACT.
 FINAL ALLCR=20mΩ MAX

4. MECHANICAL PERFORMANCE,
 MATING & UNMATING FORCE: 6.1 Kgf MAX.

5. I.R REFLOW:

THE PEAK TEMPERATURE ON THE BOARD SHALL BE
 MAINTAINED FOR 10 SECONDS AT 260±5°C.

6. DC: XXXXXX

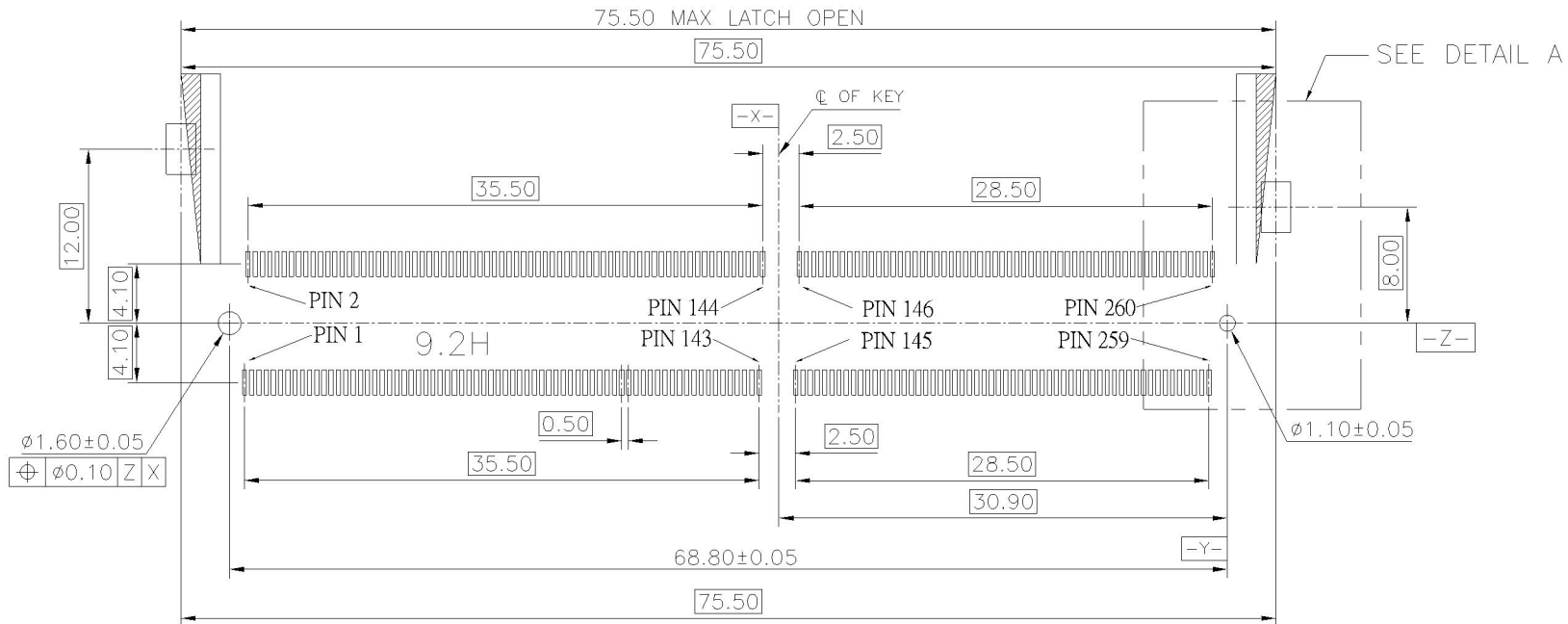


7. ROHS COMPLIANT.
 HF COMPLIANT.

GENERAL TOLERANCES UNLESS SPECIFIED		PART NO.		深圳市连欣科技有限公司	
X ± 0.35	X ° ± 3°	ADDR0110-P001A		TITLE	
XX ± 0.25	X ° ± 2°	APPROVED BY		SODDR4 9.2H 260 PIN STD TYPE	
.XXX ± 0.15	.XX ± 1°	Barney		DWG NO.	
CUSTOMER DRAWING		CHECKED BY		AP-ADDR0110	
Vilo		DRAWN BY		XU	
SIZE	UNITS	DRAWN BY			
A4	MM [INCH]	XU			

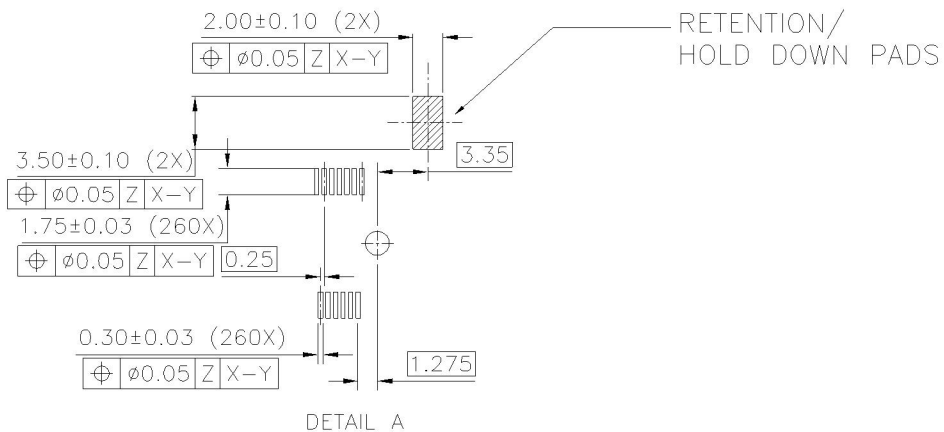
2 3 4 5 6 7 8

A B C D E F A B C D E F A

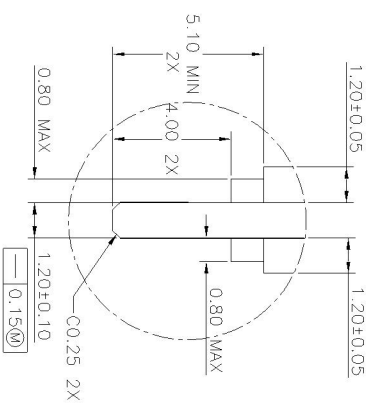
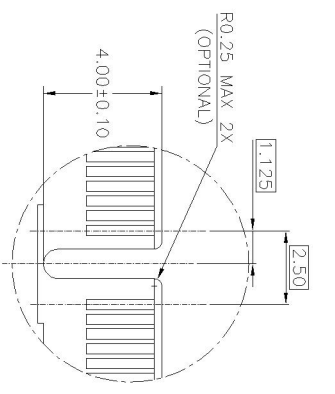
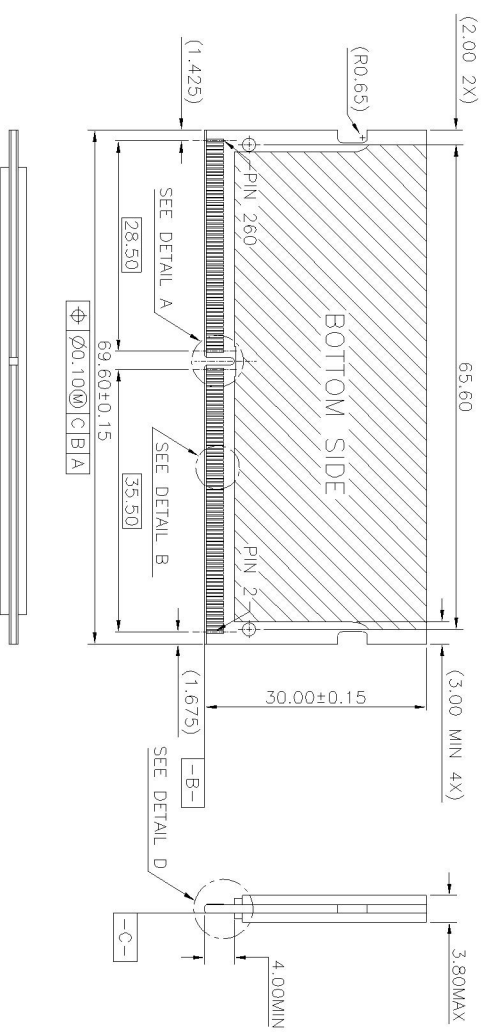


SCALE 2:1

TOP VIEW
RECOMMEND PCB LAYOUT (STANDARD)
THE TOLERANCES UNLESS SPECIFIED IS $\pm 0.05\text{MM}$

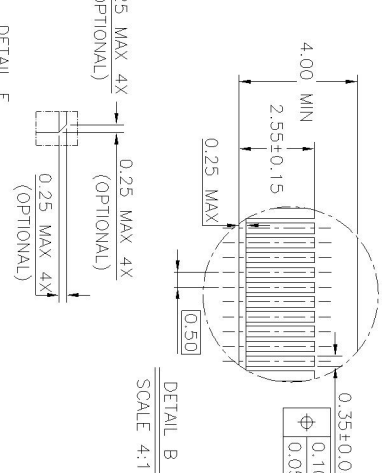
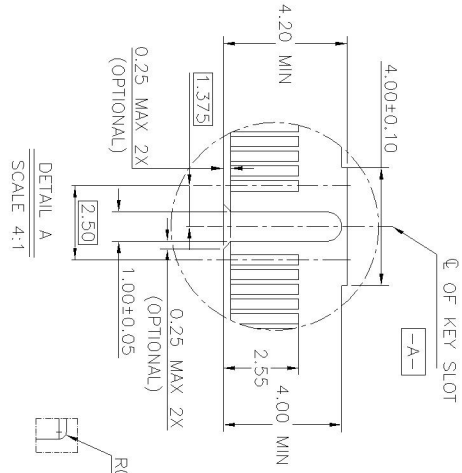
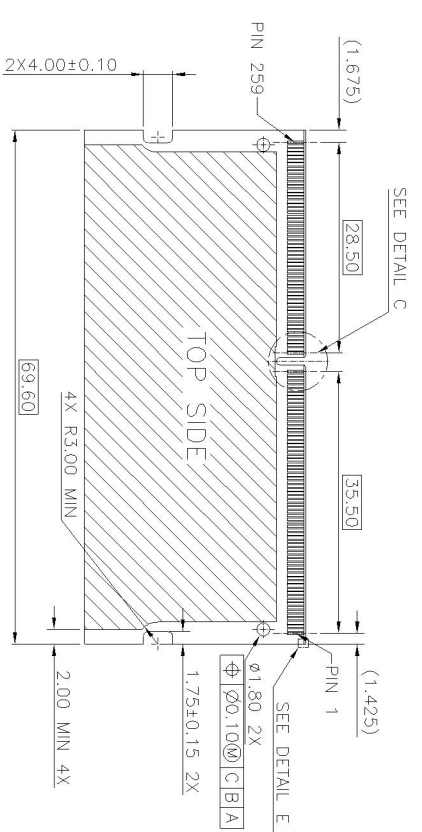


GENERAL TOLERANCES UNLESS SPECIFIED		PART NO.		深圳市连欣科技有限公司	
$X \pm 0.35$	$X^\circ \pm 3^\circ$	ADDR0110-P001A		TITLE	
$.XX \pm 0.25$	$X^\circ \pm 2^\circ$	APPROVED BY		SODDR4 9.2H 260 PIN STD TYPE	
$.XXX \pm 0.15$	$.XX^\circ \pm 1^\circ$	Barney		DWG NO.	
CUSTOMER DRAWING		CHECKED BY		AP-ADDR0110	
		Vito			
SIZE	UNITS	DRAWN BY			
A4	MM[INCH]	XU			
				SHEET	SCALE
				3 / 5	1 : 1
				REV	K



DETAIL C
SCALE 4:1

DETAIL D
SCALE 4:1



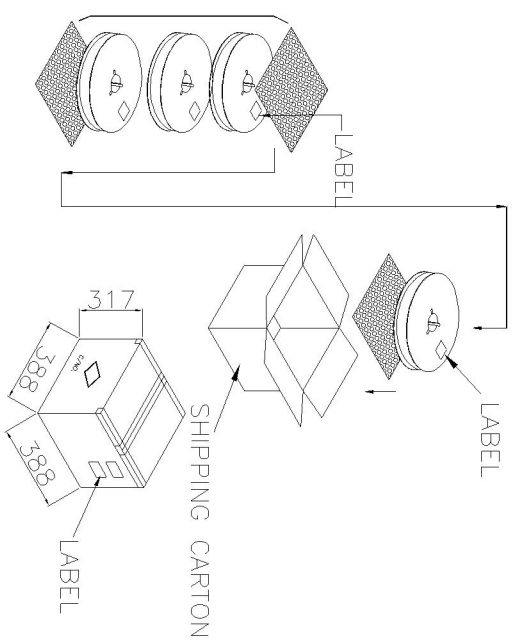
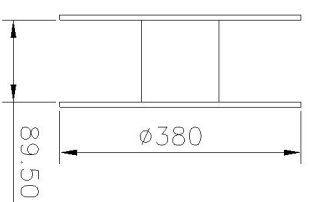
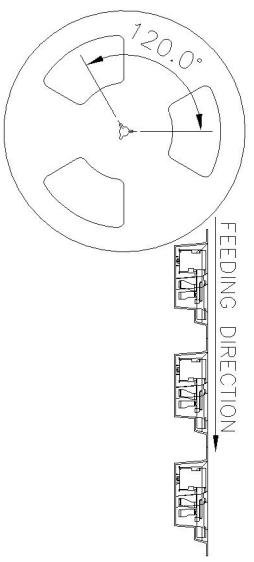
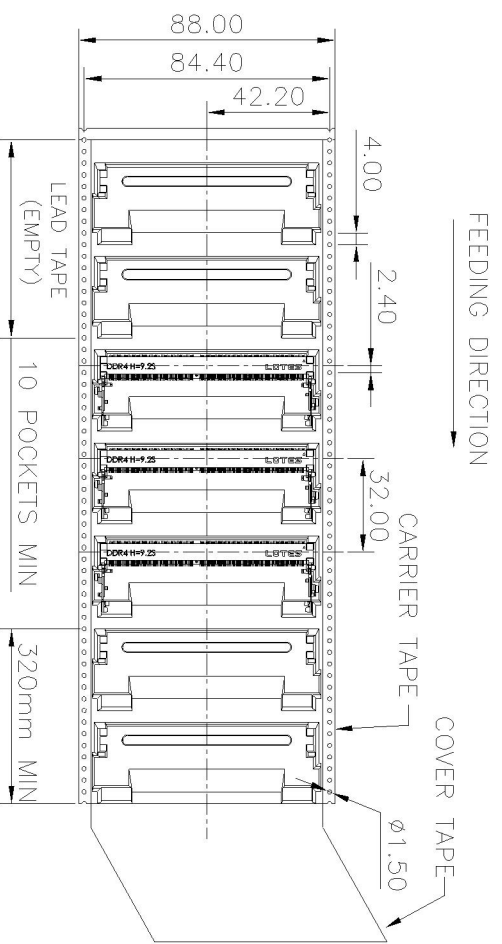
DETAIL E
SCALE 4:1

DETAIL B
SCALE 4:1

- NOTES:
1. TOLERANCE ON ALL DIMENSIONS ±0.15 UNLESS OTHERWISE SPECIFIED;
 2. PCB THICKNESS APPLIES ACROSS TABS AND INCLUDES PLATING AND/OR METALIZATION;
 3. FINISH OF PAD: Au PLATING 30u" min OVER Ni PLATING 80u" min;
 4. NO BURR;
 5. CHAMFER 0.25mm max. X 45° IF EXIST.

GENERAL TOLERANCES UNLESS SPECIFIED		PART NO.		深圳市连欣科技有限公司	
X ± 0.35	X° ± 3°	ADDR0110-P001A			
.XX ± 0.25	.X° ± 2°	APPROVED BY		Barney	
XXX ± 0.15	XX° ± 1°	CHECKED BY		Vito	
CUSTOMER DRAWING		DRAWN BY		XU	
SIZE	UNITS	DWG NO.		AP-ADDR0110	
A4	MM [INCH]			SHEET SCALE REV	
				4 / 5 1 : 1 K	

1 2 3 4 5 6 7 8



- NOTES:
- MATERIAL :
 - CARRY TAPE: PS
 - COVER TAPE: PET
 - SHIPPING CARTON: CORRUGATED FIBER
 - DIMENSION :
 - REEL: W=88.0, $\phi A=380$
 - SHIPPING CARTON: L=388, W=388, H=317 (INNER)
 - QUANTITY :
 - PRIMARY PACKING: 220 PCS/REEL
 - SECONDARY PACKING: 3 REELS/CARTON(660PCS)
 - PEELING RESISTANCE: 20gf~120gf.
 - PEELING SPEED: 300mm/minutes.

GENERAL TOLERANCES UNLESS SPECIFIED		PART NO.	深圳市连欣科技有限公司	
X ± 0.35	X ° ± 3°	ADDR0110-P001A		
.XX ± 0.25	.X ° ± 2°	APPROVED BY		
XXX ± 0.15	XX ° ± 1°	Barney		
CUSTOMER DRAWING		CHECKED BY	DWG NO.	
		V/10	AP-ADDR0110	
SIZE	UNITS	DRAWN BY		
A4	MM	XU		
			SHEET	SCALE
			5 / 5	N/A
				REV
				K

A 1 2 3 4 5 6 7 8

B

C

D

E

F

X-ON Electronics

Largest Supplier of Electrical and Electronic Components

Click to view similar products for [Standard Card Edge Connectors](#) category:

Click to view products by [Lian Xin](#) manufacturer:

Other Similar products are found below :

[CR7E-30DB-3.96E\(72\)](#) [6565204-6](#) [1437274-4](#) [1-582587-1](#) [284-0102-12100](#) [286-0052-12101A](#) [306022901000000](#) [A6D22DS29C2](#) [1926088-2](#) [245-062-520-350](#) [287-0032-12101](#) [306-028-525-102](#) [307-072-526-202](#) [330-030-500-278](#) [345-060-559-303](#) [534671-1](#) [341-240-317](#) [345-044-500-300](#) [346-240-318](#) [C7D10DS29C1M133](#) [395-100-524-300](#) [09-07-2032](#) [10035388-802LF](#) [10115859-011LF](#) [10122859-009LF](#) [101269333204245CLF](#) [530555-1](#) [66925-516LF](#) [5145409-2](#) [73726-0005](#) [66308-1](#) [EBC05DRXN](#) [KSLX-62-BR](#) [CE100F26-7-C](#) [CE100F28-3-D](#) [CE100F28-4-D](#) [CE156F22-9-C](#) [CT100F24-3-D](#) [CT100F24-6-C](#) [MLSS100-12-C](#) [SCC100F-11-C](#) [SCC100F-20-C](#) [SCC100F-24-C](#) [SCC100F-25-C](#) [3-530656](#) [2512250177](#) [285-0112-12300](#) [346-068-556-300](#) [284-0492-11000](#) [287-0032-12301](#)