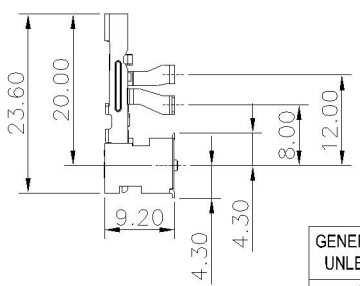
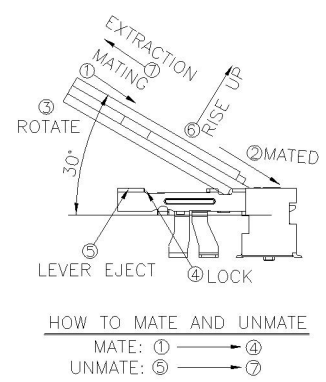
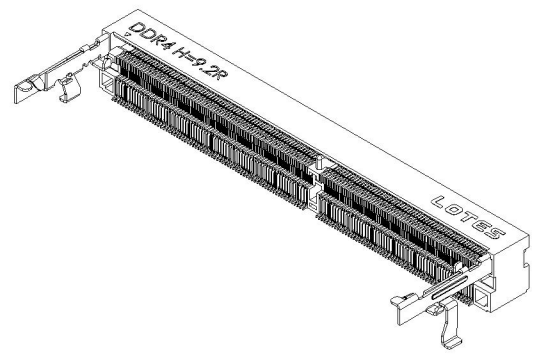
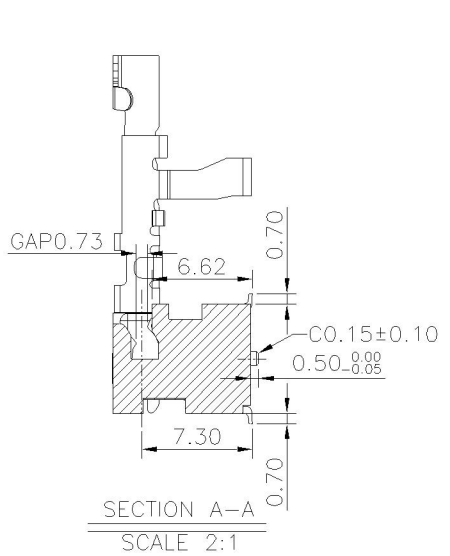


REV.	ECR/N NO./DESCRIPTION	DATE	DRAWN	CHECKED	APPROVE
J	RD14011	06/09'15	XU	Vito	Barney
K	RD14011	09/09'15	XU	Vito	Barney
L	RD14011	11/10'15	XU	Vito	Barney



GENERAL TOLERANCES UNLESS SPECIFIED		DWG NO.	深圳市连欣科技有限公司		
$X \pm 0.35$	$X^\circ \pm 3^\circ$	AP-ADDR0111			
$.XX \pm 0.25$	$.X^\circ \pm 2^\circ$	APPROVED BY	TITLE		
$.XXX \pm 0.15$	$.XX^\circ \pm 1^\circ$	Barney	SODDR4 9.2H 260 PIN RVS TYPE		
CUSTOMER DRAWING		CHECKED BY	PART NO.		
		Vito	ADDR0111-P001A		
SIZE	UNITS	DRAWN BY	SHEET	SCALE	REV
A4	MM[INCH]	XU			

NOTES:
 1. MATERIALS:
 HOUSING: LCP, UL 94V-0.
 CONTACT: BRASS C2680.
 LATCH: STAINLESS STEEL SUS301.

2. FINISH:
 1) CONTACT: UNDERPLATED NICKEL 50~150u",
 PLATING ON SOLDER AREA: SEE TABLE

2) LATCH: UNDERPLATED NICKEL 50~150u", MATTE TIN 80u" MIN.
 GOLD PLATING ON CONTACT AREA: SEE TABLE

3. ELECTRICAL PERFORMANCE
 LLCR INITIAL 50mΩ MAX PER CONTACT.
 FINAL ΔLLCR=20mΩ MAX

4. MECHANICAL PERFORMANCE,
 MATING & UNMATING FORCE: 6.1 Kgf MAX.

5. IR REFLOW:

THE PEAK TEMPERATURE ON THE BOARD SHALL BE
 MAINTAINED FOR 10 SECONDS AT 260±5°C.

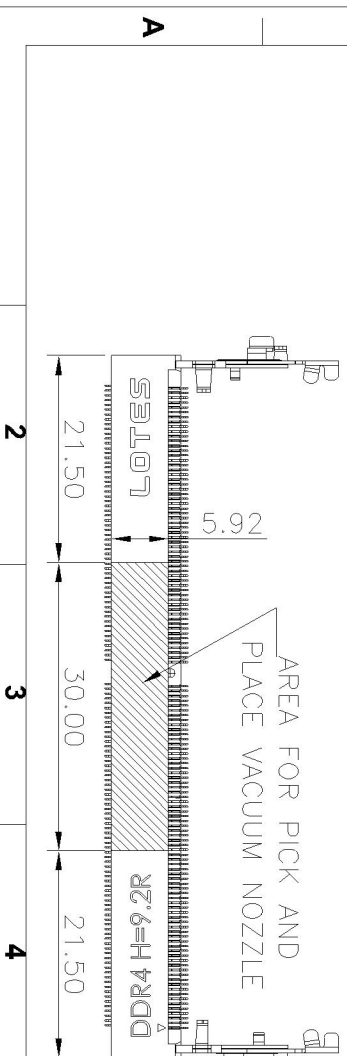
6. DC: XXXXXX



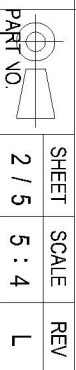
TABLE:

NO.	PART NO.	COLOR	DESCRIPTION
1	ADDR0111-P001A	BLACK	GOLD G/F ON CONTACT AREA MATTE TIN ON SOLDER AREA

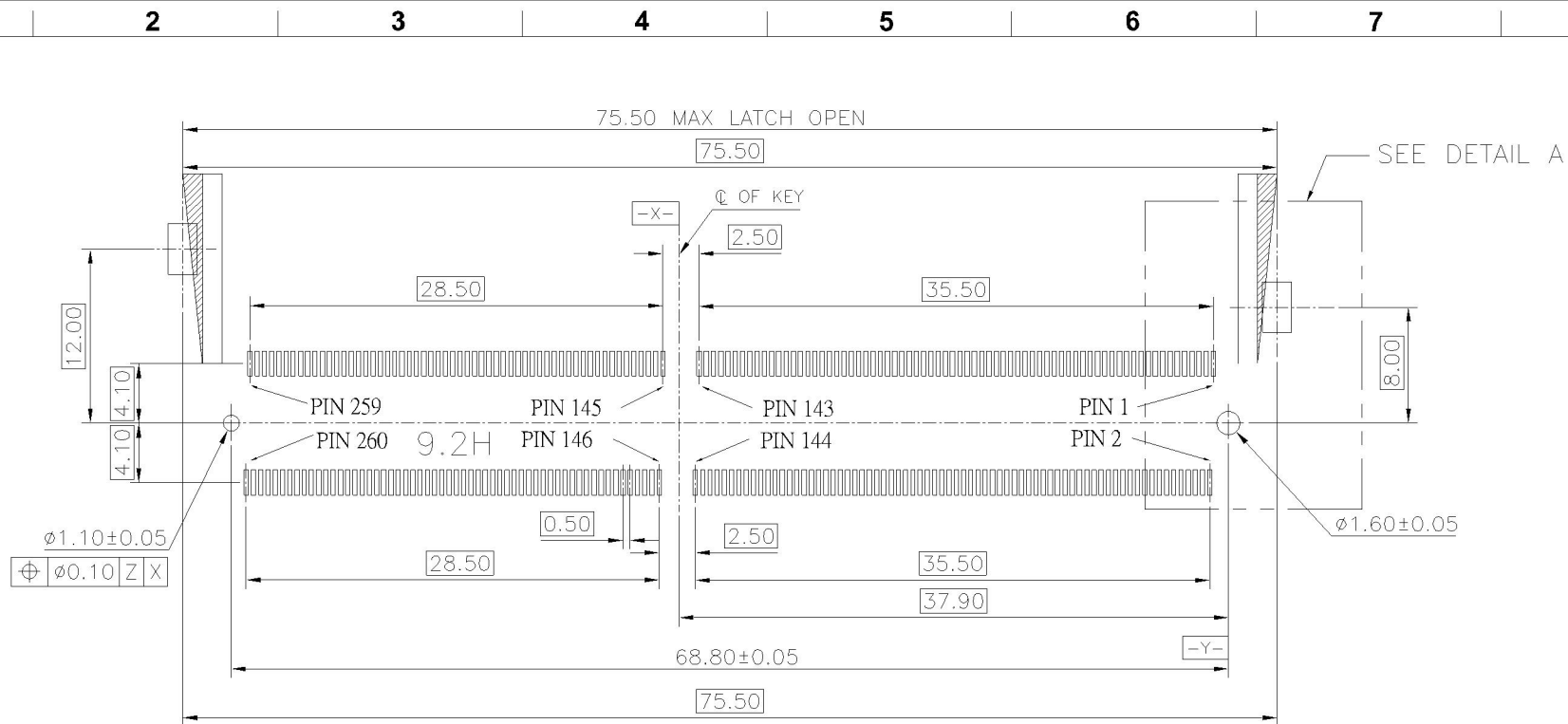
8. RoHS COMPLIANT.
 HF COMPLIANT.



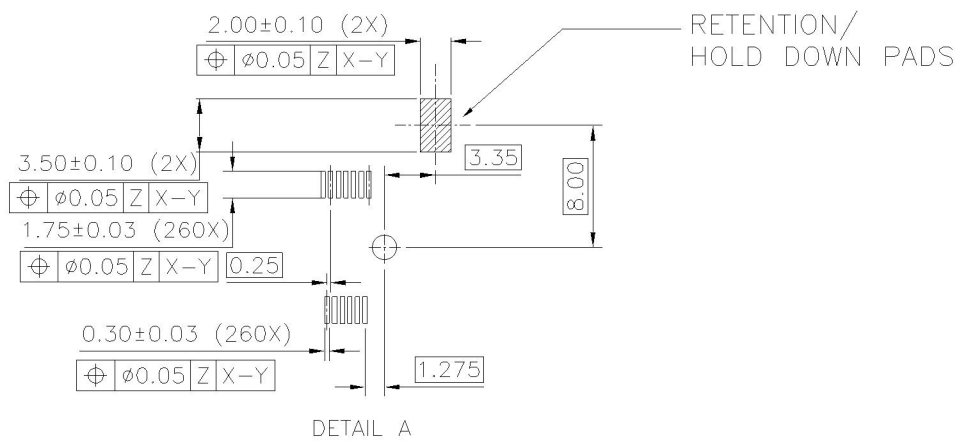
GENERAL TOLERANCES UNLESS SPECIFIED		DWG NO.	深圳市连欣科技有限公司	
X ± 0.35	X° ± 3°	AP-ADDR0111	TITLE	ADDR0111-P001A
.XX ± 0.25	.X° ± 2°	APPROVED BY	SODDR4 9.2H 260 PIN RVS TYPE	
.XXX ± 0.15	.XX° ± 1°	Barney	CHECKED BY	Vito
CUSTOMER DRAWING		DRAWN BY	XU	
SIZE	UNITS			
A4	MM/[INCH]			



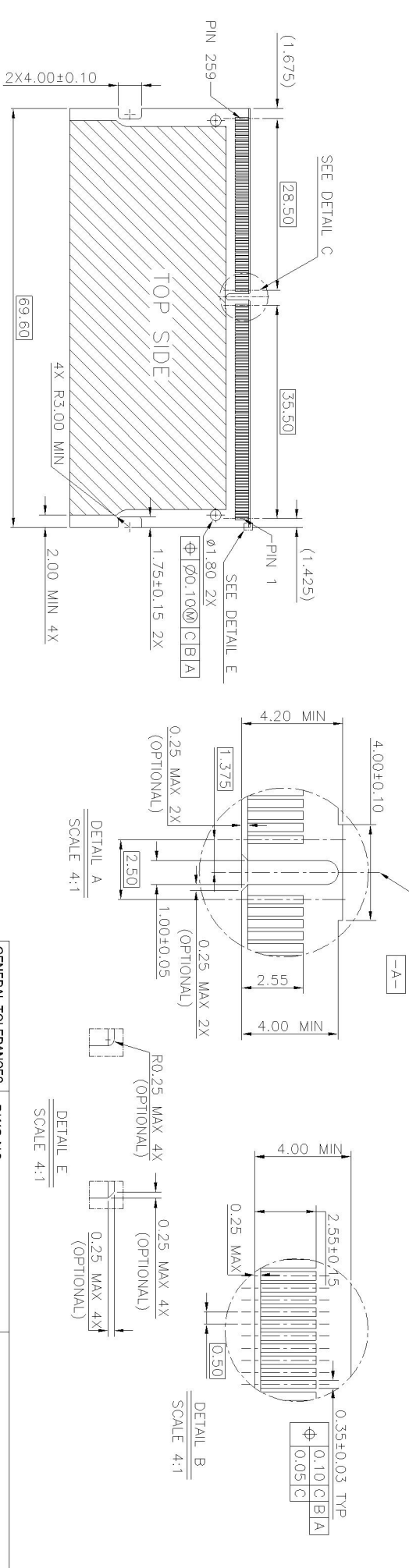
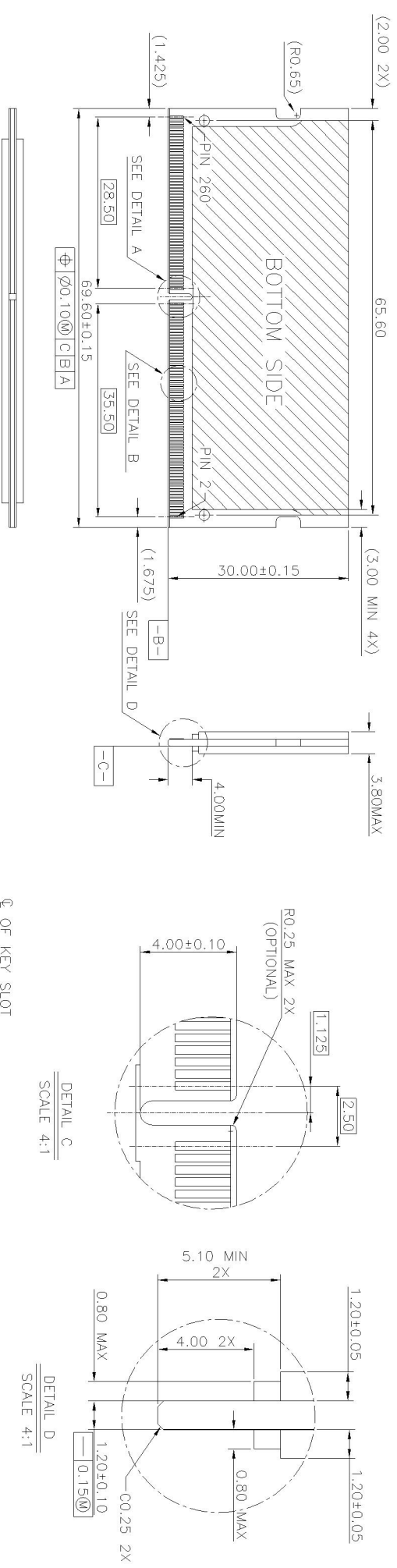
SHEET	SCALE	REV
2 / 5	5 : 4	L



SCALE 2:1 TOP VIEW
 RECOMMEND PCB LAYOUT (REVERSE)
 THE TOLERANCES UNLESS SPECIFIED IS ±0.05MM

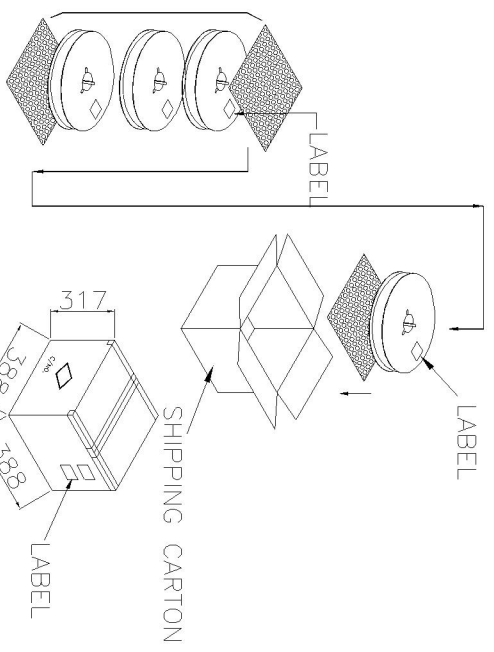
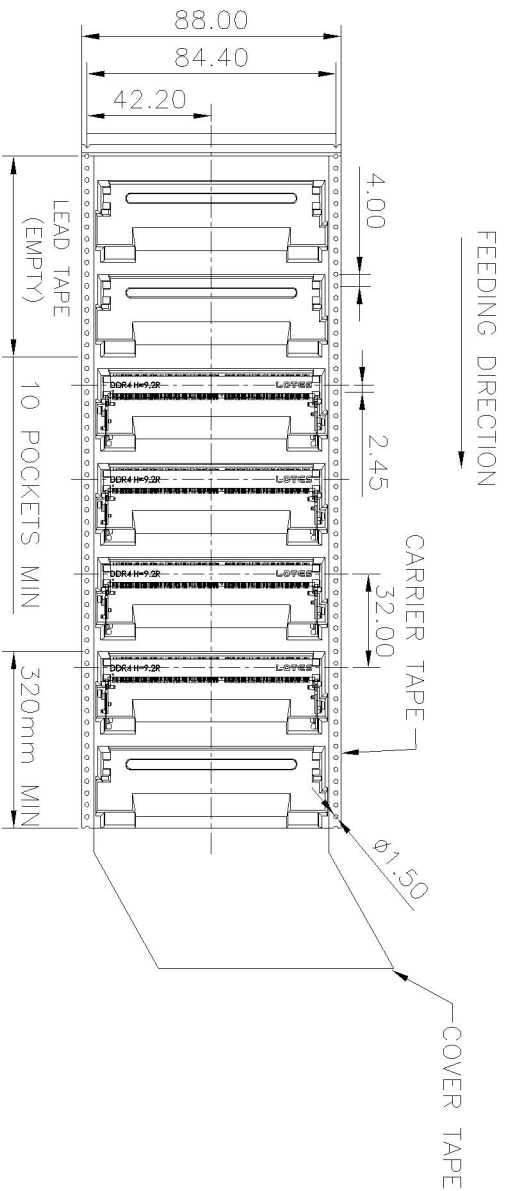


GENERAL TOLERANCES UNLESS SPECIFIED		DWG NO.	深圳市连欣科技有限公司			
X ± 0.35	X.° ± 3°	AP-ADDR0111	TITLE			
.XX ± 0.25	.X.° ± 2°	APPROVED BY	SODDR4 9.2H 260 PIN RVS TYPE			
.XXX ± 0.15	.XX.° ± 1°	Barney	PART NO.			
CUSTOMER DRAWING		CHECKED BY	ADDR0111-P001A			
SIZE	UNITS	DRAWN BY		SHEET	SCALE	REV
A4	MM[INCH]	XU		3 / 5	1 : 1	L

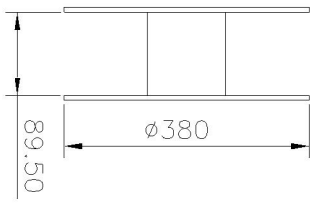
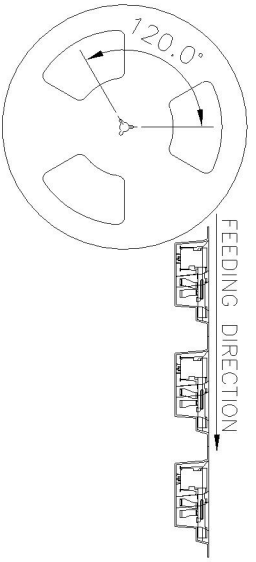


- NOTES:
1. TOLERANCE ON ALL DIMENSIONS ±0.15 UNLESS OTHERWISE SPECIFIED;
 2. PCB THICKNESS APPLIES ACROSS TABS AND INCLUDES PLATING AND/OR METALIZATION;
 3. FINISH OF PAD: Au PLATING 30u" min OVER NI PLATING 80u" min;
 4. NO BURR;
 5. CHAMFER 0.25mm max. X 45° IF EXIST.

GENERAL TOLERANCES UNLESS SPECIFIED		DWG NO.		TITLE	
X ± 0.35	X° ± 3°	AP-ADDR0111		深圳市连欣科技有限公司	
.XX ± 0.25	X° ± 2°	APPROVED BY		Barney	
.XXX ± 0.15	.XX° ± 1°	CHECKED BY		Vio	
CUSTOMER DRAWING		DRAWN BY		XU	
SIZE	UNITS	PART NO.		ADDR0111-P001A	
A4	MM [INCH]	SHEET		4 / 5	
		SCALE		1 : 1	
		REV		L	



- NOTES:
- MATERIAL :
 - CARRY TAPE: PS
 - COVER TAPE: PET
 - SHIPPING CARTON: CORRUGATED FIBER
 - DIMENSION :
 - REEL: W=88.0, ϕ A=380
 - SHIPPING CARTON: L=388, W=388, H=317 (INNER)
 - QUANTITY :
 - PRIMARY PACKING: 220 PCS/REEL
 - SECONDARY PACKING: 3 REELS/CARTON(660PCS)
 - PEELING RESISTANCE: 20gf~120gf.
 - PEELING SPEED: 300mm/minutes.



GENERAL TOLERANCES UNLESS SPECIFIED		DWG NO.	深圳市连欣科技有限公司	
X ± 0.35	X ± 3°	AP-ADDR0111		
.XX ± 0.25	X ± 2°	APPROVED BY		
XXX ± 0.15	.XX ± 1°	Barney		
TITLE		SODDR4 9.2H 260 PIN RVS TYPE		

CUSTOMER DRAWING		CHECKED BY	PART NO.	
Vito		ADDR0111-P001A		

SIZE	UNITS	DRAWN BY	SHEET		SCALE		REV
A4	MM	XU	5	5	N/A	L	

深圳市连欣科技有限公司

ADDR0111-P001A



X-ON Electronics

Largest Supplier of Electrical and Electronic Components

Click to view similar products for [Standard Card Edge Connectors](#) category:

Click to view products by [Lian Xin](#) manufacturer:

Other Similar products are found below :

[CR7E-30DB-3.96E\(72\)](#) [6565204-6](#) [1437274-4](#) [1-582587-1](#) [284-0102-12100](#) [286-0052-12101A](#) [306022901000000](#) [A6D22DS29C2](#) [1926088-2](#) [245-062-520-350](#) [287-0032-12101](#) [306-028-525-102](#) [307-072-526-202](#) [330-030-500-278](#) [345-060-559-303](#) [534671-1](#) [341-240-317](#) [345-044-500-300](#) [346-240-318](#) [C7D10DS29C1M133](#) [395-100-524-300](#) [09-07-2032](#) [10035388-802LF](#) [10115859-011LF](#) [10122859-009LF](#) [101269333204245CLF](#) [530555-1](#) [66925-516LF](#) [5145409-2](#) [73726-0005](#) [66308-1](#) [EBC05DRXN](#) [KSLX-62-BR](#) [CE100F26-7-C](#) [CE100F28-3-D](#) [CE100F28-4-D](#) [CE156F22-9-C](#) [CT100F24-3-D](#) [CT100F24-6-C](#) [MLSS100-12-C](#) [SCC100F-11-C](#) [SCC100F-20-C](#) [SCC100F-24-C](#) [SCC100F-25-C](#) [3-530656](#) [2512250177](#) [285-0112-12300](#) [346-068-556-300](#) [284-0492-11000](#) [287-0032-12301](#)