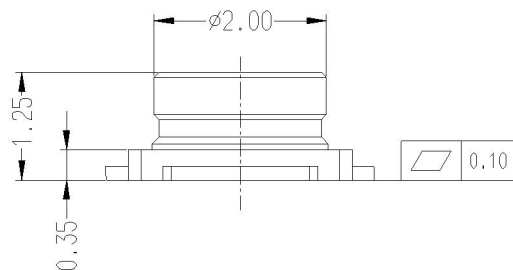
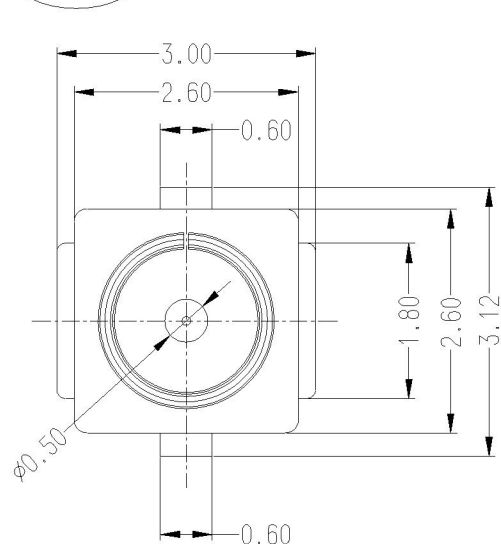


HF

RoHS

| Rev. | DATE | APPD |
|------|------------|-----------|
| A | 2012/12/25 | IVAN WANG |
| B | 2016/12/29 | Eli Duan |



AN B 0 200 * - 1 2 *

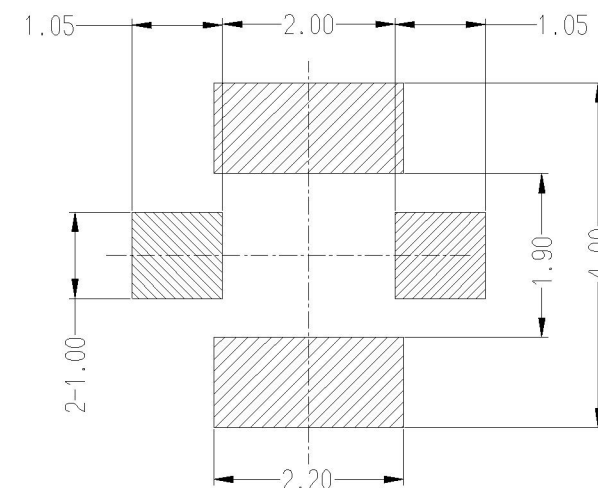
AN=ANTENNA
B=BOARD END
0=产品编码
200=包圆直径
*=电镀规格

1=GOLD FLASH
2=Ni PLATING
3=Ag PLATING

3=无倒角
4=有倒角
2=厂内区别码
1=第一代

NOTES:

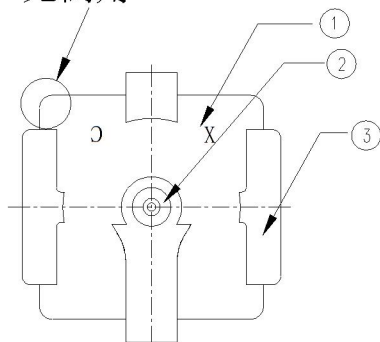
- FREQUENCY RANGE:
DC TO 6GHZ (VSWR: 1.3MAX AT 0.1~3GHZ, 1.5MAX AT 3~6GHZ)
- CHARACTERISTIC IMPEDANCE: 50Ω (NOMINAL);
- TEMPERATURE: -40° C TO +90° C;
- RATED VOLTAGE : 60VAC;
- CONTACT RESISTANCE :
20mΩ MAX. (SIGNAL CONTACT)
10MΩ MAX. OHM MAX. (GROUND CONTACT)
- WITHSTAND VOLTAGE : 200VAC FOR 1 MINUTE MIN;
- INSULATION RESISTANCE : 500MΩ MIN. AT 100VDC;
- THIS COMPONENT IS HALOGEN FREE.



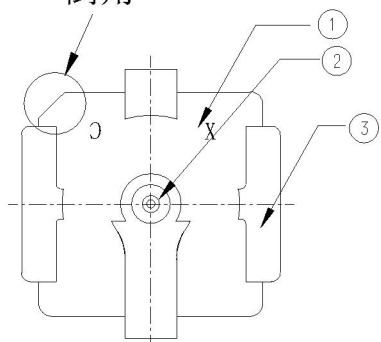
SIGNAL CONTACT GROUND CONTACT

P.C.B DIMENSION (TOP VIEW)
(TOLERANCE ±0.05)

无倒角

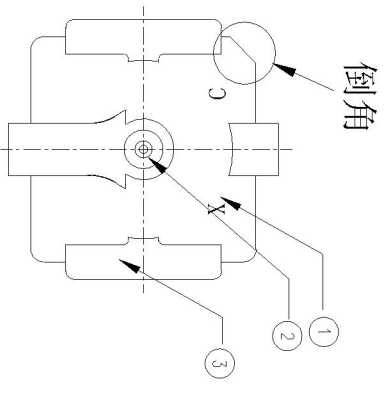
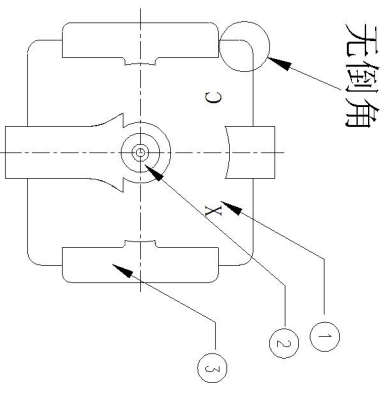
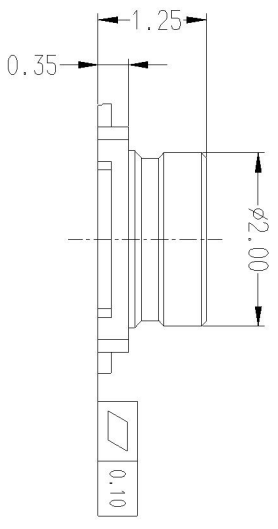
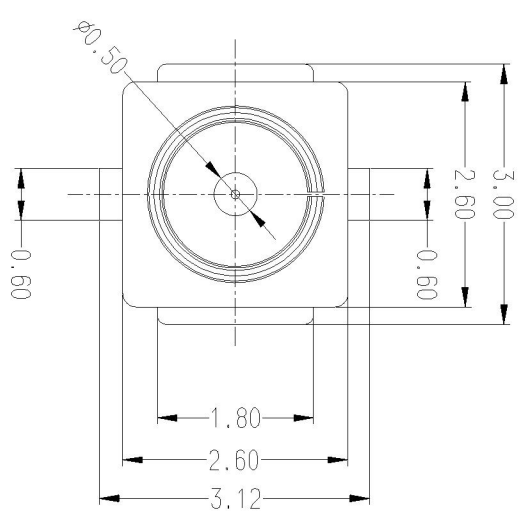
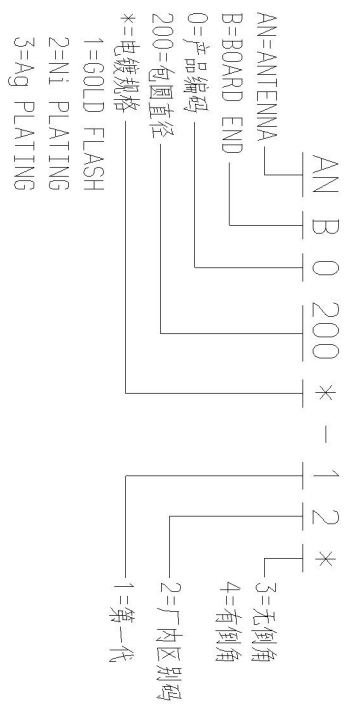


倒角

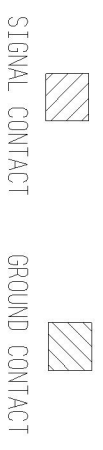
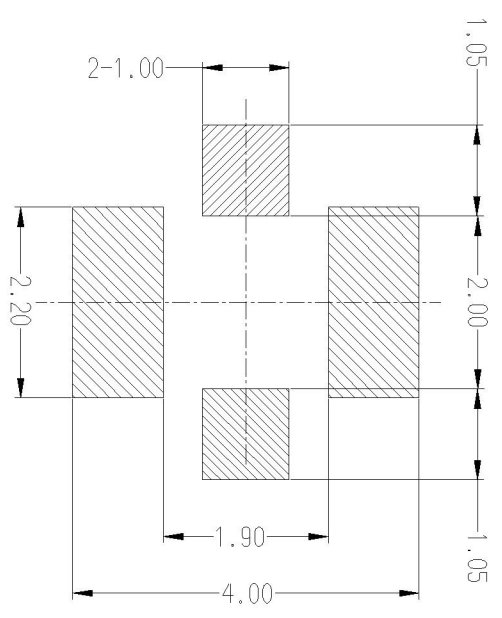


| | | | | | |
|--|----------------|-------------|------------------------------|--|--------------|
| 3 | GROUND CONTACT | 1 | COPPER ALLOY | Au PLATED OVER Ni PLATED OVERALL. Ag PLATED OVER Ni PLATED OVERALL. | |
| 2 | SIGNAL CONTACT | 1 | COPPER ALLOY | GOLD FLASH OVER Ni PLATED OVERALL. | |
| 1 | HOUSING | 1 | THERMOPLASTIC | UL94V-0 | |
| ITEM | NAME | Q'TY | MATERIAL Δ | FINISH Δ | |
| TOLERANCES UNLESS OTHERWISE SPECIFIED | | | | | |
| X. | / | .XXX | / | | |
| .X | ±0.15 | X.° | ±1° | | |
| .XX | ±0.10 | .X° | ±0.5° | | |
| THESE DRAWINGS AND SPECIFICATIONS ARE THE PROPERTY OF KUNSHAN COCENTRA ELECTRONICS Co.LTD. AND SHALL NOT BE REPRODUCED, COPIED OR USED IN ANY MANNER WITHOUT THE PRIOR WRITTEN CONSENT OF KUNSHAN COCENTRA ELECTRONICS Co.LTD. | | | L&X 深圳市连欣科技有限公司 | | |
| | | | SERIES: RF BOARD END | TITLE: RF 1G H TYPE BOARD END | |
| | | | APPD: Eli Duan 2016/12/29 | PART No.: ANB0200*-12* | |
| | | | CKD: | DWG No.: 307-0000-1002 | |
| | | | DR: 彭佳 2016/12/29 | | |
| | | UNITS MM | MAT'L Δ | FINISH Δ | SCALE 1:1 |
| | | | | SHEET 1/1 | REV. B |

| Rev. | DATE | APPD |
|------|------------|-----------|
| A | 2012/12/25 | IVAN WANG |
| B | 2016/12/29 | Eli Duan |



- NOTES:
- FREQUENCY RANGE:
DC TO 6GHZ (VSWR: 1.3MAX AT 0.1~3GHZ, 1.5MAX AT 3~6GHZ)
 - CHARACTERISTIC IMPEDANCE: 50Ω (NOMINAL);
 - TEMPERATURE: -40° C TO +90° C;
 - RATED VOLTAGE : 60VAC;
 - CONTACT RESISTANCE :
20mΩ MAX. (SIGNAL CONTACT)
10mΩ MAX. (GROUND CONTACT)
 - WITHSTAND VOLTAGE : 200VAC FOR 1 MINUTE MIN;
 - INSULATION RESISTANCE : 500MΩ MIN. AT 100VDC;
 - THIS COMPONENT IS HALOGEN FREE.



P.C.B DIMENSION (TOP VIEW)
(TOLERANCE ±0.05)

| | | | | |
|--|----------------|-------------------------------|---------------|------------------------------------|
| 3 | GROUND CONTACT | 1 | COPPER ALLOY | AU PLATED OVER Ni PLATED OVERALL. |
| 2 | SIGNAL CONTACT | 1 | COPPER ALLOY | Ag PLATED OVER Ni PLATED OVERALL. |
| 1 | HOUSING | 1 | THERMOPLASTIC | GOLD FLASH OVER Ni PLATED OVERALL. |
| ITEM | NAME | Q'TY | MATERIAL | FINISH |
| TOLERANCES UNLESS OTHERWISE SPECIFIED | | | | |
| X. | / | .XXX | / | / |
| .X | ±0.15 | X.° | ±1° | |
| .XX | ±0.10 | X° | ±0.5° | |
| THESE DRAWINGS AND SPECIFICATIONS ARE THE PROPERTY OF KINSHAN COCENTRA ELECTRONICS Co.,LTD. AND SHALL NOT BE REPRODUCED, COPIED OR USED IN ANY MANNER WITHOUT THE PRIOR WRITTEN CONSENT OF KINSHAN COCENTRA ELECTRONICS Co.,LTD. | | | | |
| SERIES: RF BOARD END | | TITLE: RF 16 H TYPE BOARD END | | |
| APPD: Eli Duan | | PART No.: | | |
| CKD: 2016/12/29 | | ANB0200*-12* | | |
| DR: 彭佳 | | DWG No.: | | |
| UNITS: 2016/12/29 | | 307-0000-1002 | | |
| MM | MAT'L | FINISH | SCALE | SHEET |
| | | | 1:1 | 1/1 |
| | | | | REV. B |

L&X 深圳市连欣科技有限公司

X-ON Electronics

Largest Supplier of Electrical and Electronic Components

Click to view similar products for [RF Connectors / Coaxial Connectors](#) category:

Click to view products by [Lian Xin](#) manufacturer:

Other Similar products are found below :

[89674-0827](#) [6059674-1](#) [630059-000](#) [6501-1071-002](#) [6769](#) [7002-1541-010](#) [7002-1572-002](#) [7004-1512-000](#) [7009-1511-004](#) [7101-1541-010](#)
[7101-1571-002](#) [7105-1521-002](#) [7145-1521-002](#) [7203-1571-003](#) [7209-1511-011](#) [7210-1511-040](#) [7242-1511-000](#) [7405-1521-005](#) [7405-1521-](#)
[802](#) [804S01D04M040](#) [8527](#) [8547](#) [FS11V](#) [877931](#) [8808-1511-001](#) [9049-9513-000](#) [9074-9513-000](#) [PL11C-026](#) [PL40-36](#) [9408-1113-000](#)
[980-8666-005](#) [11 SMA-50-2-6 / 111 NE](#) [11 SMA-50-3-6 / 111 NE](#) [11 SMA-50-2-6/111 NH](#) [1-201144-1](#) [120919](#) [R107003010W](#) [R112186000](#)
[R113053000W](#) [R113082097](#) [R113236000](#) [R114083000](#) [R114670000W](#) [R123415000W](#) [R124072220W](#) [R124076320](#) [R124076450](#)
[R124175123](#) [R124176123W](#) [R125075000W](#)