

REV.	ECR/NO./DESCRIPTION	DATE	DRAWN	CHECKED	APPROVE
1	SN14040	05/06'14	Jinjin.Tu	Vito	Barney

- NOTES:
- MATERIAL SPECIFICATION:
 - HOUSING: LCP+40%GF, UL94V-0, COLOR: BLACK.
 - CONTACT: COPPER ALLOY.
 - SMT TAB: S50C.
 - PLATING SPECIFICATION:
 - CONTACT:
 - 50u" MIN. NICKEL UNDER PLATING OVER ALL. G/F PLATING ON SOLDER AREA. GOLD PLATING ON CONTACT AREA: SEE TABLE
 - SMT TAB:
 - 50u" MIN. NICKEL UNDER PLATING OVER ALL. 80u" MIN. MATTE TIN PLATING ON SOLDER AREA.
 - HF COMPLIANT, ROHS COMPLIANT.
 - DATE CODE: XXXXXX
 - DAY
 - WEEK
 - YEAR
 - MECHANICAL PERFORMANCE:
 - DURABILITY: SEE TABLE
 - ELECTRICAL PERFORMANCE:
 - CURRENT: 0.5A PER PIN.
 - LLCR: INITIAL 55mΩ MAX.; FINAL ΔLLCR=20mΩ MAX..
 - IR REFLOW:

THE TEMPERATURE SHALL BE 260±5°C MAINTAINING 10±1 SECONDS.
 - PRODUCT NUMBER NOTE

APCI0085-XXXXX

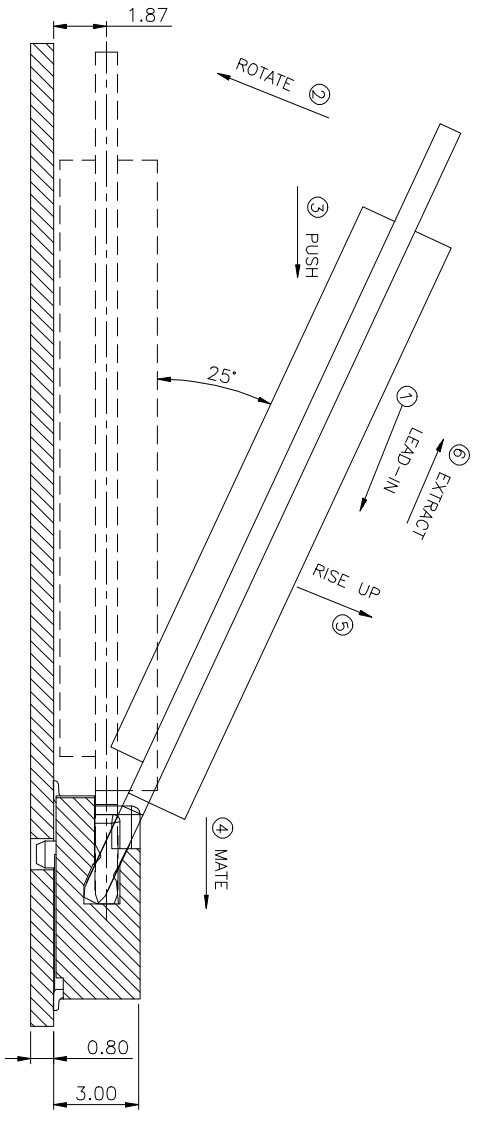
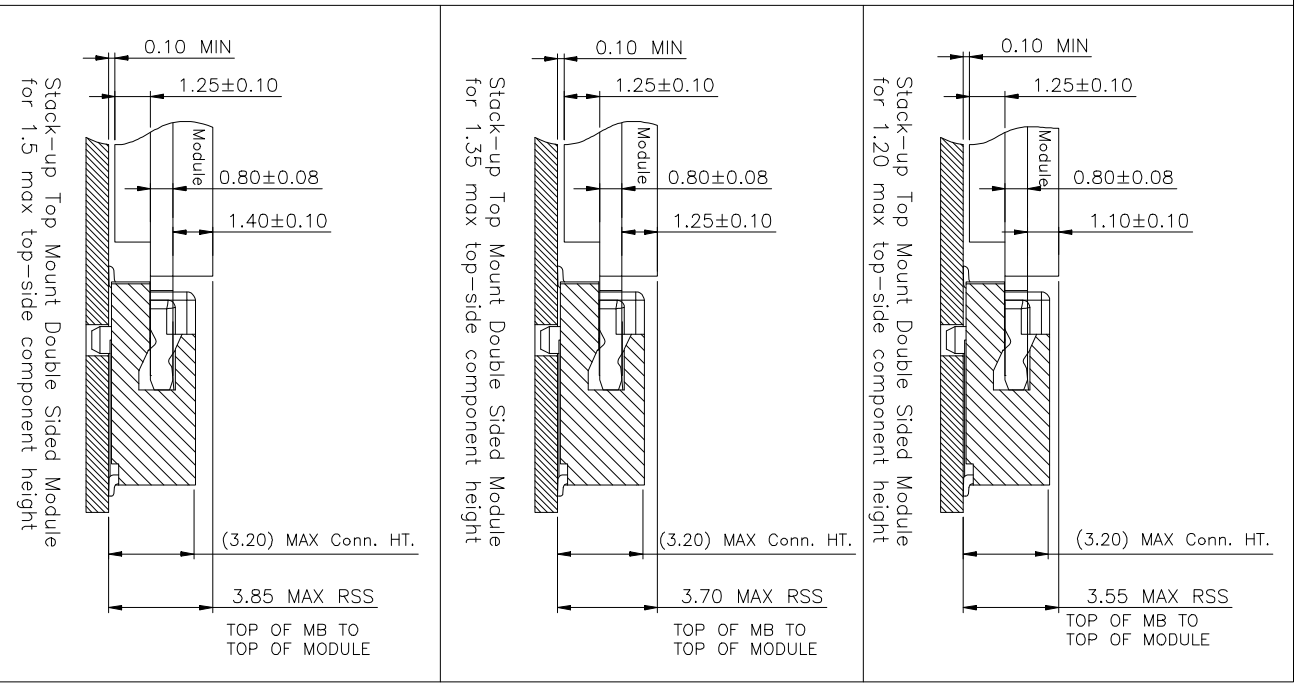
 - A: PRODUCT TYPE
 - P: PRODUCT SERIAL NUMBER
 - C: K: ROHS COMPLIANT/P: HF COMPLIANT
 - I: TYPE SERIAL NUMBER
 - X: PRODUCT TYPE
 - X: FINISHED PRODUCT

PART NO.	CONTACT PLATING	DURABILITY
APCI0085-P004A	30u" MIN. GOLD	60 CYCLES.
APCI0085-P005A	1~3u" MIN. GOLD	25 CYCLES.
APCI0085-P006A	10u" MIN. GOLD	25 CYCLES.
APCI0085-P007A	15u" MIN. GOLD	25 CYCLES.
APCI0085-P009A	5u" MIN. GOLD	25 CYCLES.

GENERAL TOLERANCES UNLESS SPECIFIED		PART NO.	TITLE
X ± 0.35	X° ± 3°	SEE TABLE	
.XX ± 0.25	.X° ± 2°	APPROVED BY Barney 10/10'13	
.XXX ± 0.15	.XX° ± 1°	CHECKED BY Vito 10/10'13	DWG NO. AP-APCI0085-B
CUSTOMER DRAWING		DRAWN BY Jinjin.Tu 10/10'13	
SIZE	UNITS		SHEET
A4	MM [INCH]		1 / 4
			SCALE
			4 : 1
			REV
			1

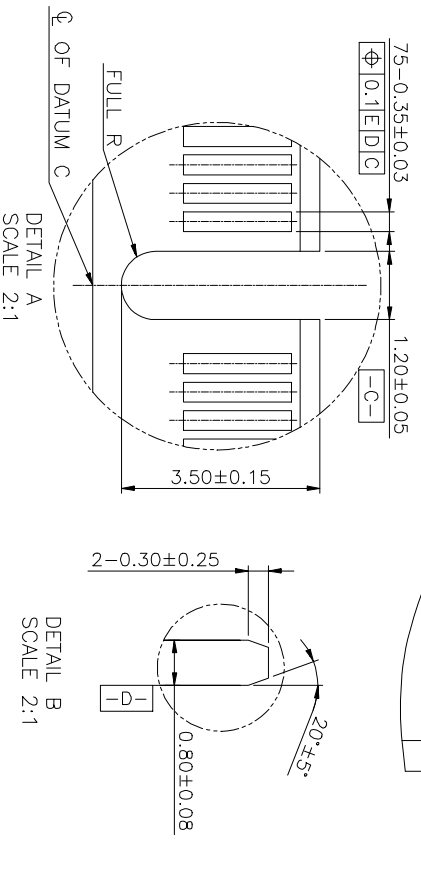
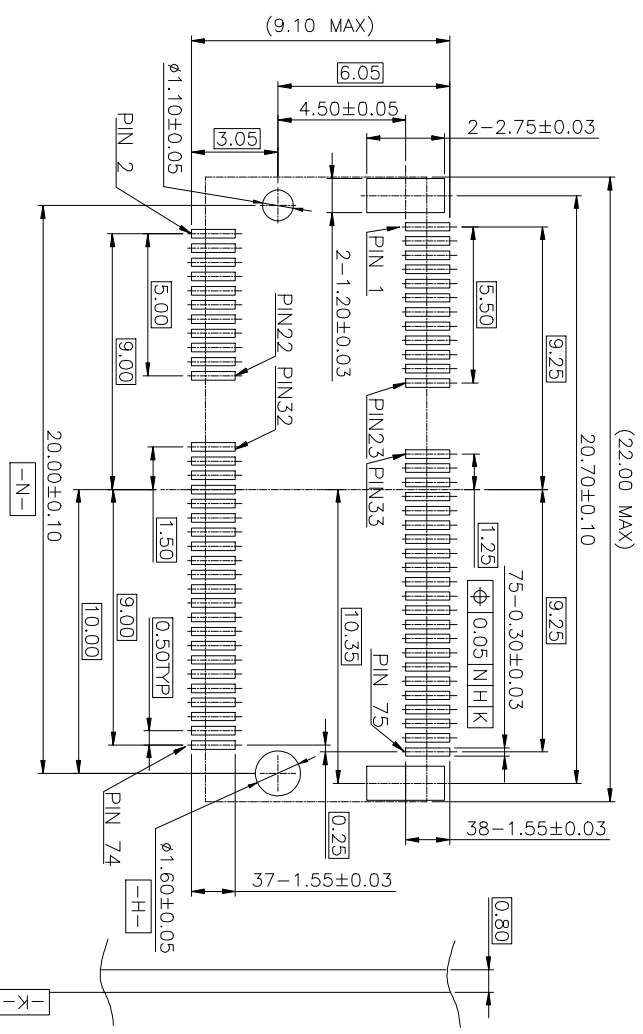
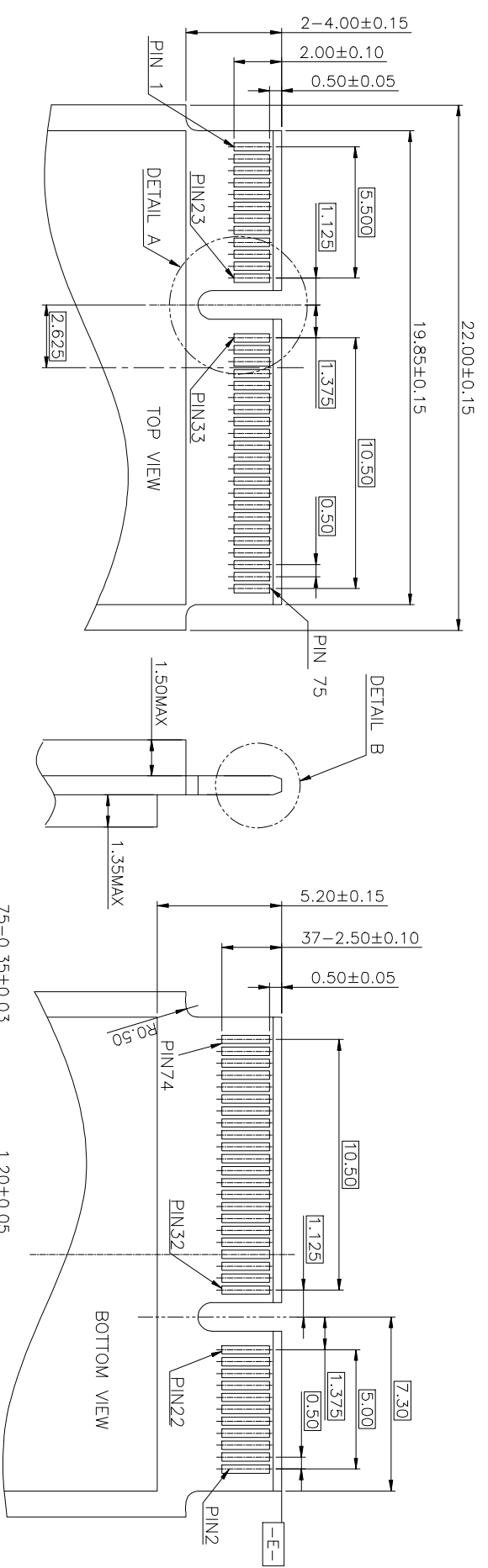


Assembly stack height schematic diagram



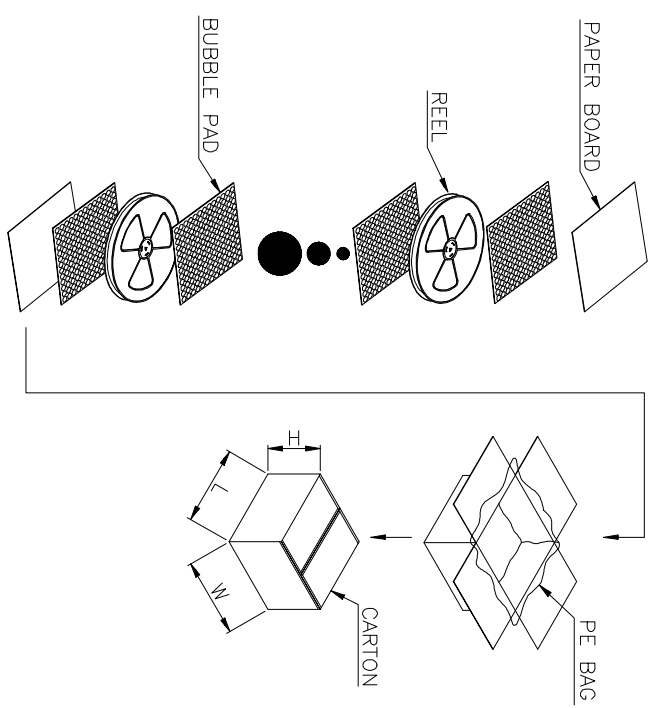
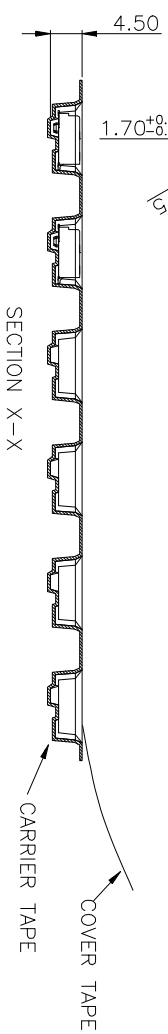
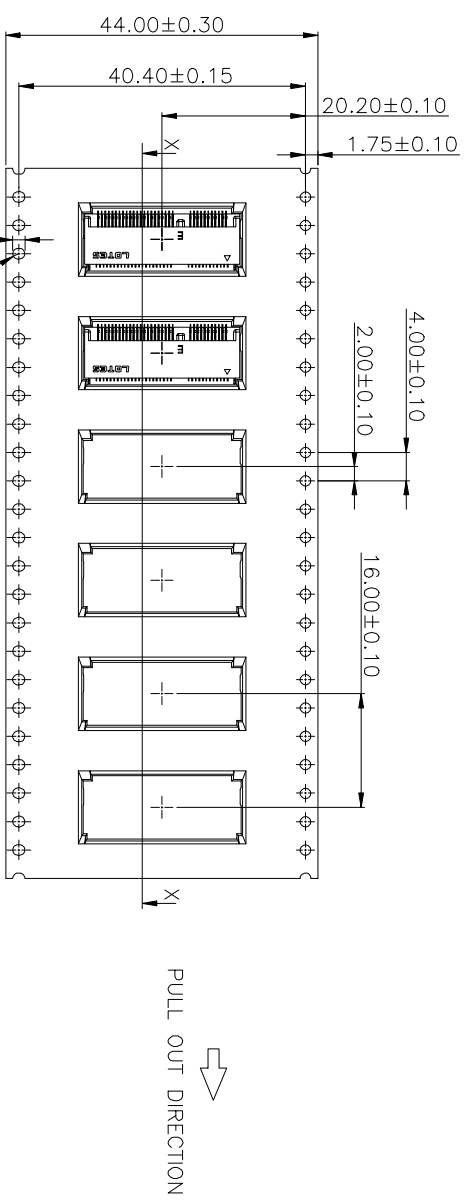
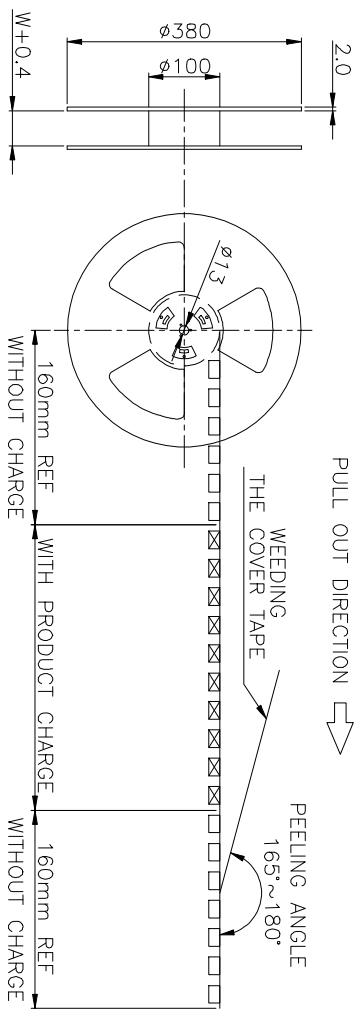
HOW TO MATE AND EXTRACT
 MATE: ① → ④
 EXTRACT: ⑤ → ⑥
 NOTE: Mating force will generate from step 3 to step 4.

GENERAL TOLERANCES UNLESS SPECIFIED		PART NO. SEE TABLE		<p>连欣科技 Lian Xin Technology</p>
X ± 0.35	X ± 3°			
XX ± 0.25	X ± 2°	APPROVED BY Barney 10/10'13		TITLE 0.5Pitch 67pin M.2 H3.2(KEY E)
XXX ± 0.15	.XX ± 1°	CHECKED BY Vito 10/10'13		DWG NO. AP-APCI0085-B
CUSTOMER DRAWING		DRAWN BY Jinjin.Tu 10/10'13		
SIZE A4	UNITS MM [INCH]			SHEET 2 / 4
				SCALE 4 : 1
				REV 1



GENERAL TOLERANCES UNLESS SPECIFIED		PART NO. SEE TABLE		TITLE 0.5Pitch 67pin M.2 H32(KEY E)
X ± 0.35	X ± 3°	APPROVED BY Baimey 10/10/13		
X ± 0.25	X ± 2°	CHECKED BY Vito 10/10/13		
XXX ± 0.15	XX ± 1°	DRAWN BY Jinjin.Tu 10/10/13		
CUSTOMER DRAWING		DWG NO. AP-APC10085-B		
SIZE A4	UNITS MM [INCH]	SHEET SCALE 3 / 4 4 : 1		
RECOMMENDED PCB LAYOUT(TOP VIEW) DEFAULT TOLERANCE ±0.05MM		REV 1		





1200	7200
PCS/REEL	PCS/CARTON



GENERAL TOLERANCES UNLESS SPECIFIED	PART NO.	TITLE
X± 0.35	SEE TABLE	0.5Pitch 67pin M.2 H3 2(KEY E)
XX± 0.25	APPROVED BY	
XXX± 0.15	Banney 10/10'13	
X°± 2°	CHECKED BY	DWG NO.
XX°± 1°	Vito 10/10'13	AP-APC10085-B

CUSTOMER DRAWING	DRAWN BY	SHEET	SCALE	REV
	Jinjin.Tu 10/10'13	4 / 4	1 : 1	1
SIZE	UNITS			
A4	MM [XCH]			

1 2 3 4 5 6 7 8

X-ON Electronics

Largest Supplier of Electrical and Electronic Components

Click to view similar products for [Standard Card Edge Connectors](#) category:

Click to view products by [Lian Xin](#) manufacturer:

Other Similar products are found below :

[CR7E-30DB-3.96E\(72\)](#) [6565204-6](#) [1437274-4](#) [1-582587-1](#) [284-0102-12100](#) [286-0052-12101A](#) [306022901000000](#) [A6D22DS29C2](#) [1926088-2](#) [245-062-520-350](#) [287-0032-12101](#) [306-028-525-102](#) [307-072-526-202](#) [330-030-500-278](#) [345-060-559-303](#) [534671-1](#) [341-240-317](#) [345-044-500-300](#) [346-240-318](#) [C7D10DS29C1M133](#) [395-100-524-300](#) [09-07-2032](#) [10035388-802LF](#) [10115859-011LF](#) [10122859-009LF](#) [101269333204245CLF](#) [530555-1](#) [66925-516LF](#) [5145409-2](#) [73726-0005](#) [66308-1](#) [EBC05DRXN](#) [KSLX-62-BR](#) [CE100F26-7-C](#) [CE100F28-3-D](#) [CE100F28-4-D](#) [CE156F22-9-C](#) [CT100F24-3-D](#) [CT100F24-6-C](#) [MLSS100-12-C](#) [SCC100F-11-C](#) [SCC100F-20-C](#) [SCC100F-24-C](#) [SCC100F-25-C](#) [3-530656](#) [2512250177](#) [285-0112-12300](#) [346-068-556-300](#) [284-0492-11000](#) [287-0032-12301](#)