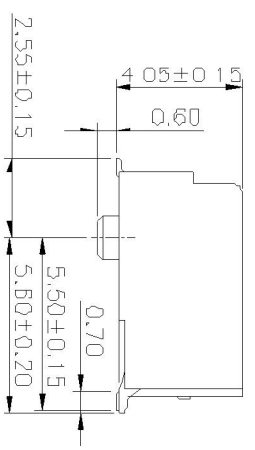
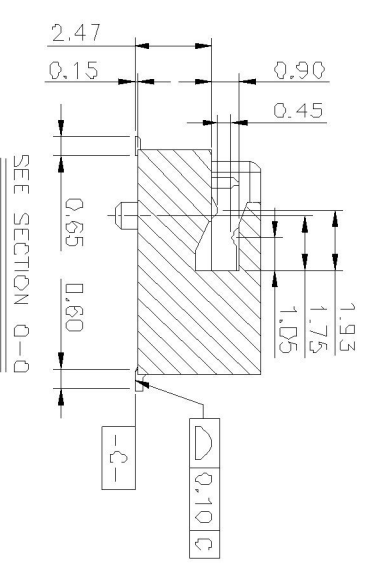
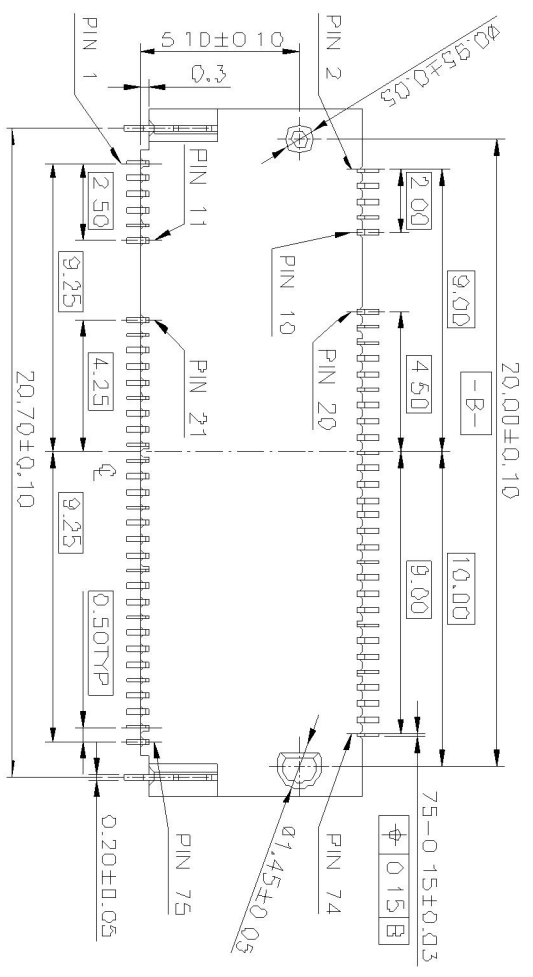
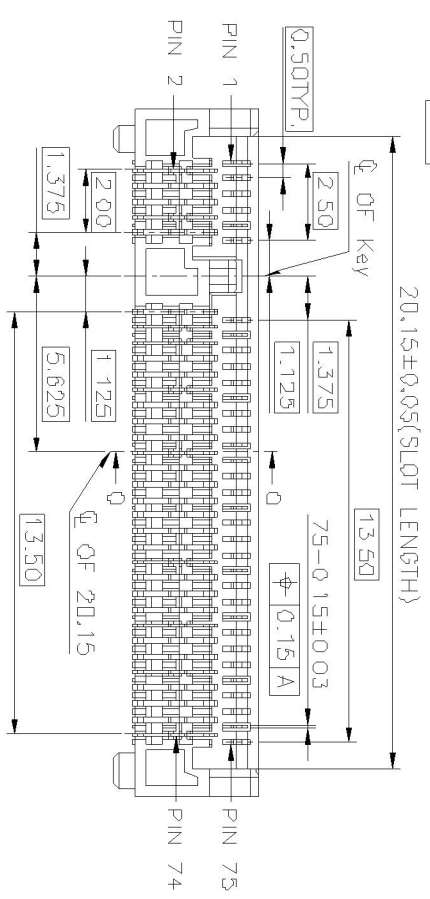
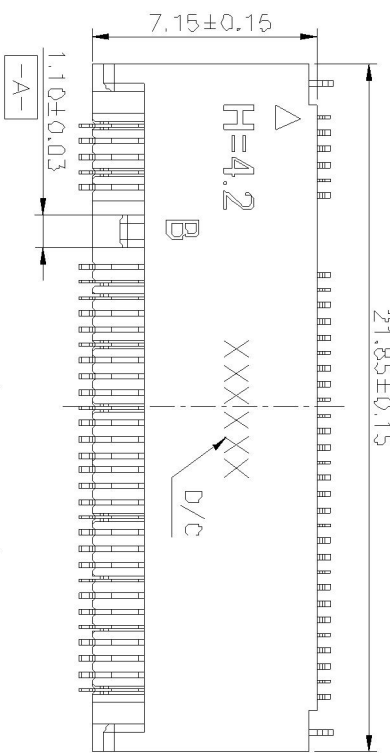


REV.	ECRN NO./DESCRIPTION	DATE	DRAWN	CHECKED	APPROVE
1	SN14155	11/5/14	Ljh	Vld	Barney
1A	SN15***	08/28/15	Jinjin.Tu	Vld	Barney
1B	SN18***	03/22/16	Jinjin.Tu	Vld	Barney



GENERAL TOLERANCES UNLESS SPECIFIED		PART NO.		TITLE	
X±	0.35	X ⁺	3°	APCI0105-P00*A	0.5 PITCH M.2 H4.2 (KEY B)
XX±	0.25	XX ⁺	2°	APCI0105-P00*A	
XXX±	0.15	XXX ⁺	1°		
CUSTOMER DRAWINGS				CHECKED BY	DWG. NO.
				Vld	AP-APCI0105
SIZE				DRAWN BY	SHEET
A4				Ljh	1 / 5
UNITS					SCALE
MM [INCH]					4:1
					REV
					1B



A B C D E F

1 2 3 4 5 6 7 8

NO.	PART NO.	DESCRIPTION	DURABILITY
1	APCI0105-P001A	GOLD G/F ON CONTACT AREA	25 CYCLES
		GOLD G/F ON SOLDER AREA	
2	APCI0105-P002A	GOLD 10U" ON CONTACT AREA	25 CYCLES
		GOLD G/F ON SOLDER AREA	
3	APCI0105-P003A	GOLD 15U" ON CONTACT AREA	25 CYCLES
		GOLD G/F ON SOLDER AREA	
4	APCI0105-P004A	GOLD 30U" ON CONTACT AREA	60 CYCLES
		GOLD G/F ON SOLDER AREA	

TABLE

Notes:

1. MATERIAL SPECIFICATION:
 - 1.1 HOUSING: LCP+40%GF, UL94V-0, COLOR: BLACK.
 - 1.2 CONTACT: COPPER ALLOY C1065.
 - 1.3 PEG: STEEL.

2. PLATING SPECIFICATION:

- 2.1. CONTACT: 50U" MIN. NICKEL UNDER PLATING OVER ALL PLATING ON SOLDER AREA. SEE TABLE GOLD PLATING ON CONTACT AREA. SEE TABLE
- 2.2. PEG: 50U" MIN. NICKEL UNDER PLATING OVER ALL. 80U" MIN. MATTE TIN PLATING ON SOLDER AREA.

3. HF COMPLIANT, RPHS COMPLIANT

4. DATE CODE: XX XX XX



5. MECHANICAL PERFORMANCE:
5.1. DURABILITY: SEE TABLE

6. ELECTRICAL PERFORMANCE:

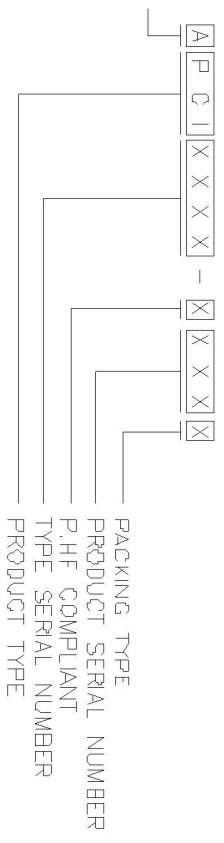
- 6.1 CURRENT: 0.5A PER PIN
- 6.2 ICLR: INITIAL 55mA MAX ; FINAL ΔICLR=20mA MAX

7. IR REFLOW:

THE TEMPERATURE SHALL BE 260±5°C MAINTAINING 10±1 SECONDS.

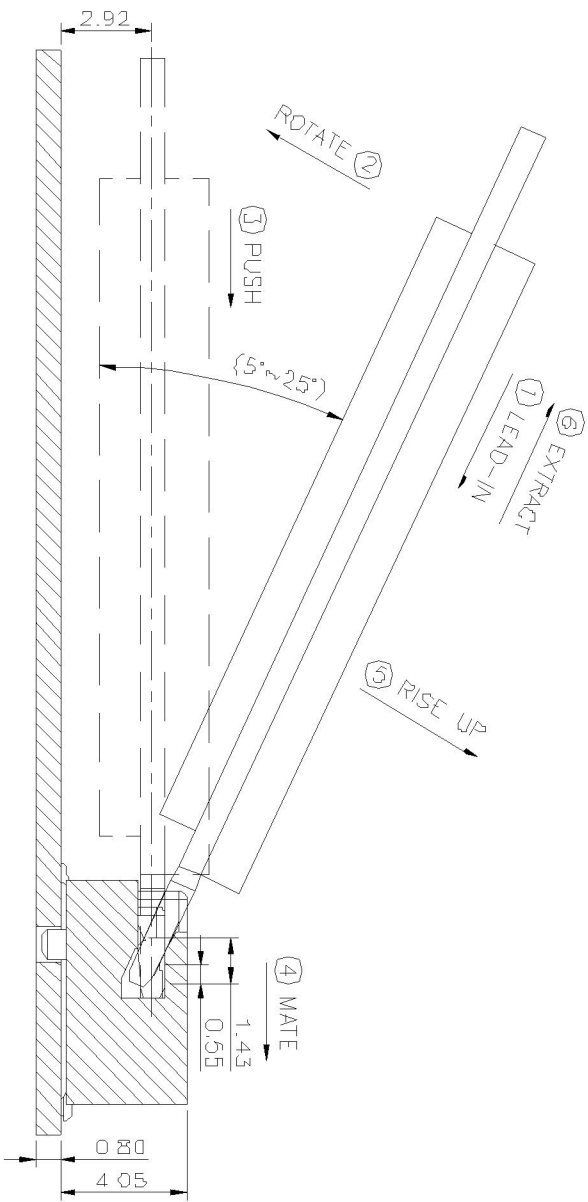
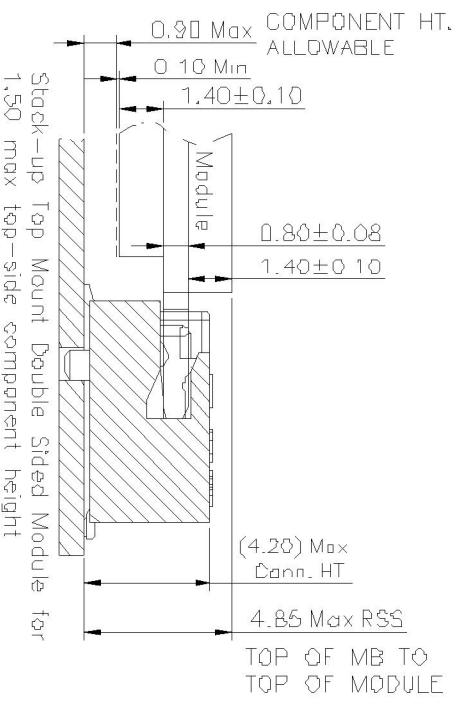
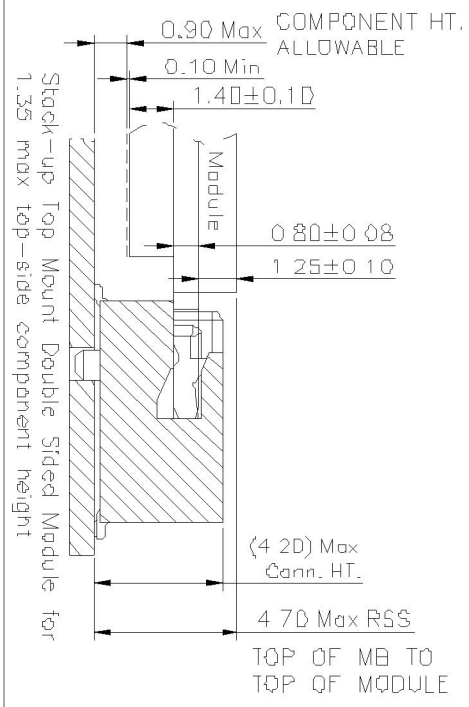
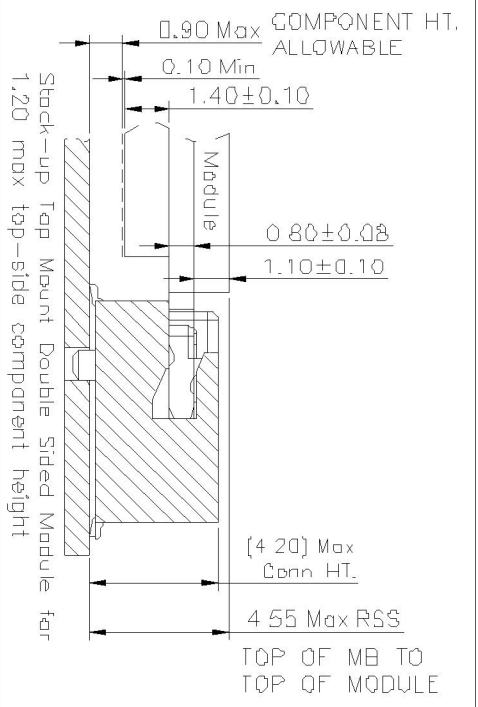
8. PRODUCT NUMBER NOTE:

FINISHED PRODUCT



GENERAL TOLERANCES UNLESS SPECIFIED X1 0.35 X2 0.5 X3 0.75 XX+ 0.25 XX- 0.25 2" 2" XXX = 0.15 XX = 0.15		PART NO. APCI0105-P00*A		TITLE 0.5 PITCH M.2 H4.2 (KEY B)		
APPROVED BY Barney		CHECKED BY Vito		CWG NO. AP-APCI0105	SHEET 2 / 5	SCALE 4:1
CUSTOMER DRAWING		DRAWN BY Lxh	SIZE UNIT\$ DWG NO.			
SIZE UNIT\$ DWG NO.		CUSTOMER DRAWING		SHEET SCALE REV		
SIZE UNIT\$ DWG NO.		CUSTOMER DRAWING		SHEET SCALE REV		

Assembly stack height schematic diagram

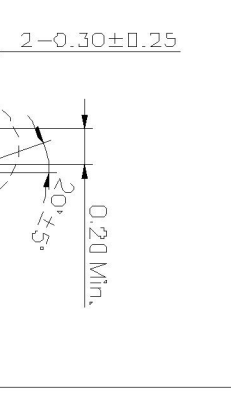
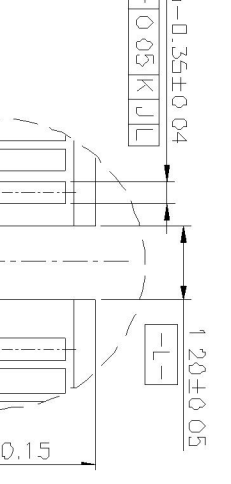
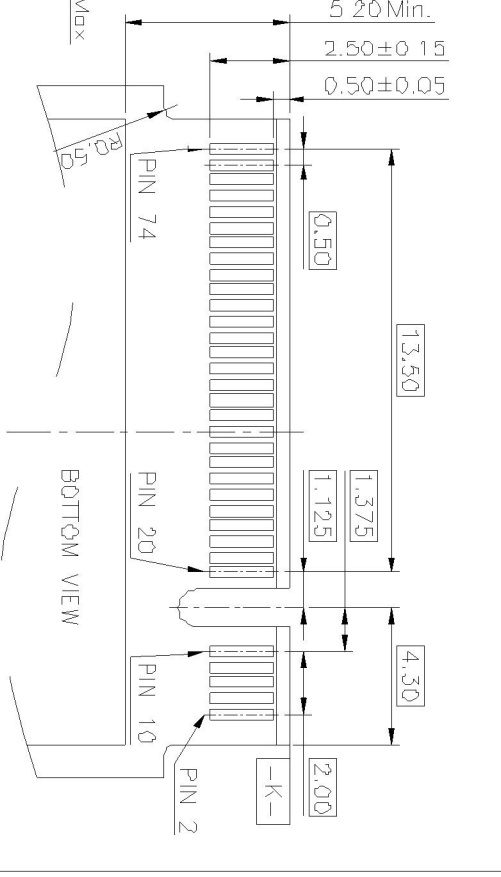
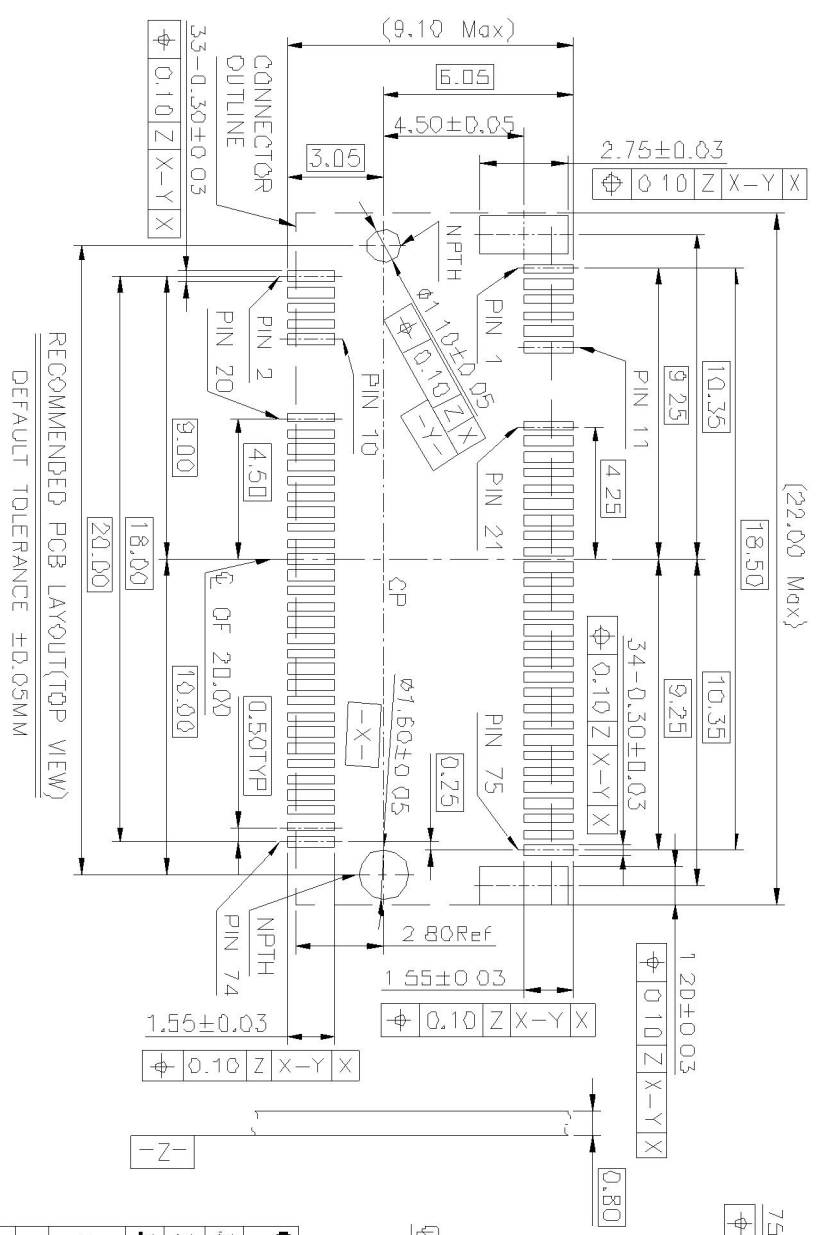
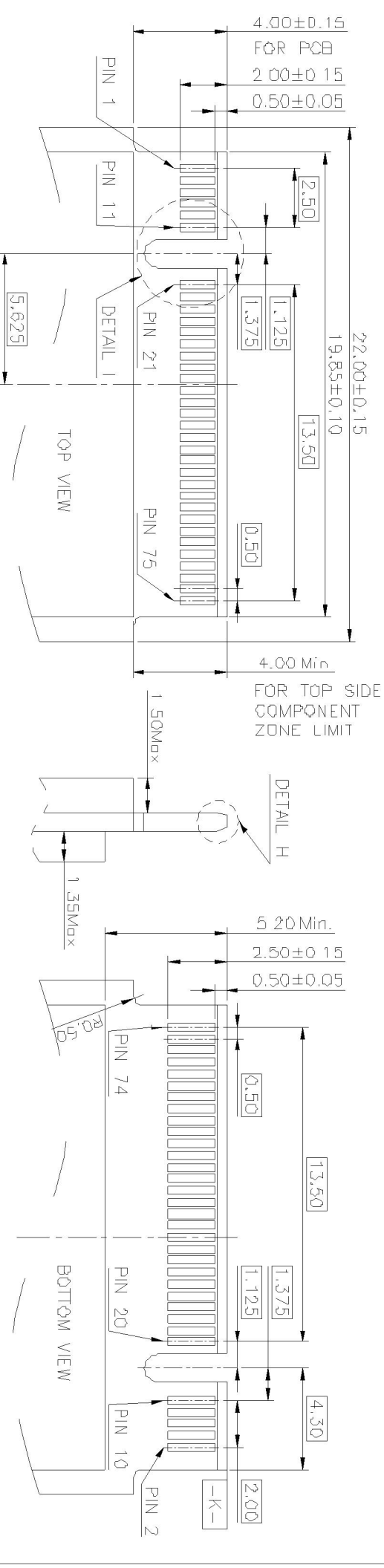


HOW TO MATE AND EXTRACT
 MATE: ① → ④
 EXTRACT: ⑤ ← ⑥

NOTE: Mating force will generate from step 3 to step 4.

GENERAL TOLERANCES UNLESS SPECIFIED		PART NO.		TITLE
X1	0.36	X2	3"	
XX	0.25	X3	2"	APPROVED BY
XXX	0.15	XX*	1"	Barney
CUSTOMER DRAWING		CHECKED BY		DWG NO.
V16		V16		AP-APCI0105
SIZE	UNITS	DRAWN BY	SHEET SCALE REV	
A4	MM [INCH]	LXH	3 / 5	4:1 1B

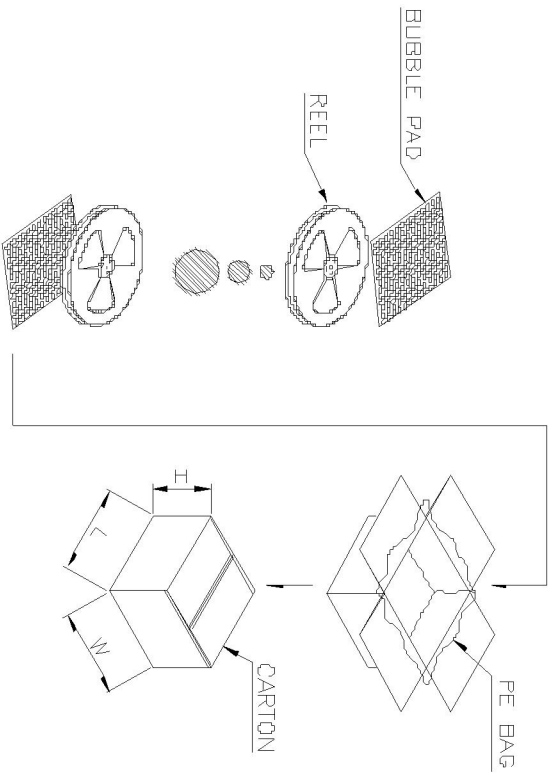
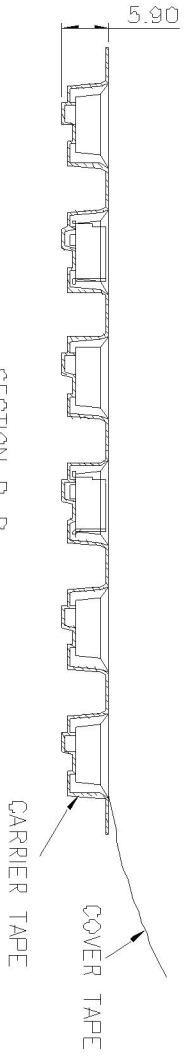
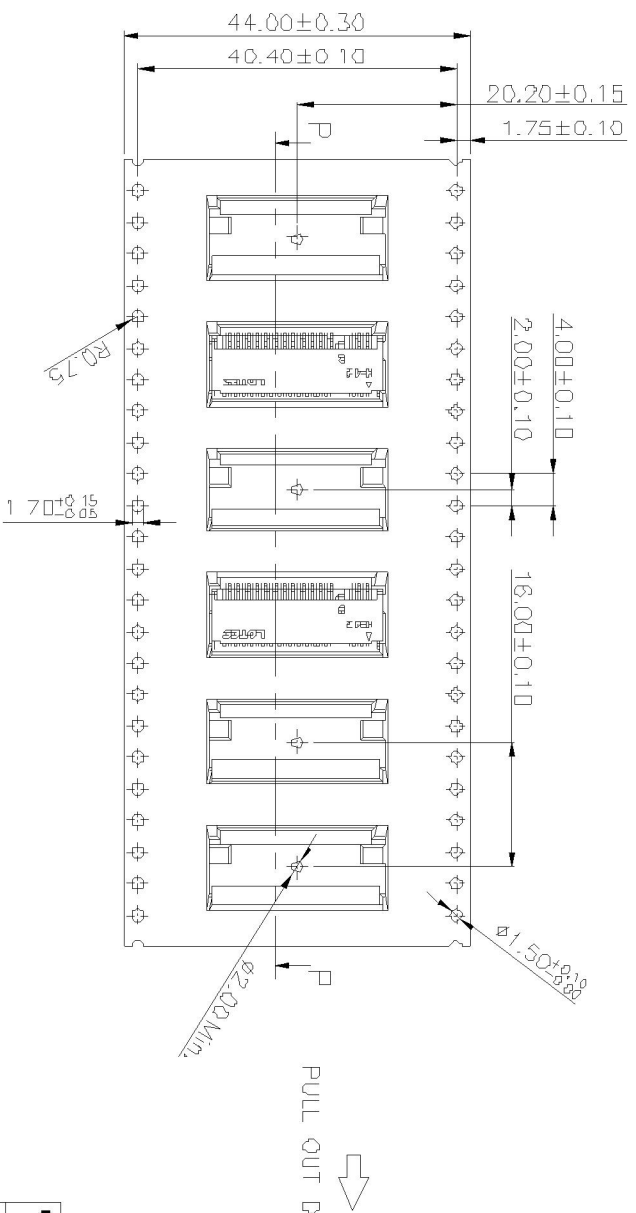
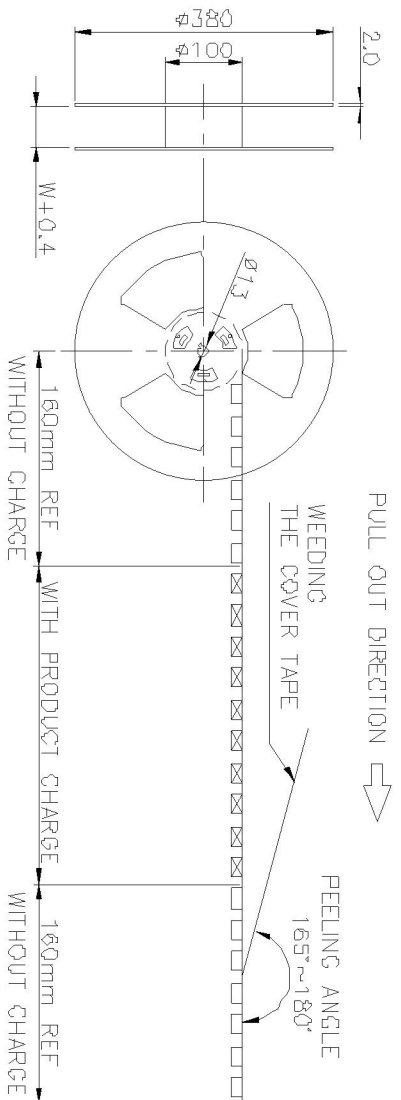




RECOMMENDED PCB LAYOUT(TOP VIEW)
 DEFAULT TOLERANCE ±0.05MM

<p>GENERAL TOLERANCES UNLESS SPECIFIED</p> <p>X1 0.35 X2 2° X3 ± 0.15 X4 ± 1°</p>			
<p>PART NO. APC10105-P00*A</p>		<p>TITLE 0.5 PITCH M2 H4.2 (KEY B)</p>	
<p>APPROVED BY Barry</p>		<p>DWG NO. AP-APC10105</p>	
<p>CHECKED BY Vito</p>		<p>SHEET SCALE REV 4 / 5 4:1 1B</p>	
<p>CUSTOMER DRAWING</p>		<p>SIZE A4</p>	
<p>UNITS MM</p>		<p>DRAWN BY Lkh</p>	





GENERAL TOLERANCES UNLESS SPECIFIED		PART NO.		TITLE	
X±	0.30	X ⁰⁺	3 ⁺	APCI0105-P00*A	0.5 PITCH M2 H4.2 (KEY D)
XX±	0.25	X ⁰⁺	2 ⁺	APPROVED BY	
XXX±	0.15	X ⁰⁺	1 ⁺	CHECKED BY	
CUSTOMER DRAWING		DRAWN BY		DWG NO.	
A4		LX1		AP-APCI0105	
SIZE		UNIT'S		SHEET SCALE	
A4		MM [INCH]		5 / 5 1:1	
REV		REV		REV	
				15	

900 5400
PCS/REEL PCS/CARTON
连欣科技
Lian Xin Technology

X-ON Electronics

Largest Supplier of Electrical and Electronic Components

Click to view similar products for [Standard Card Edge Connectors](#) category:

Click to view products by [Lian Xin](#) manufacturer:

Other Similar products are found below :

[CR7E-30DB-3.96E\(72\)](#) [6565204-6](#) [1437274-4](#) [1-582587-1](#) [284-0102-12100](#) [286-0052-12101A](#) [306022901000000](#) [A6D22DS29C2](#) [1926088-2](#) [245-062-520-350](#) [287-0032-12101](#) [306-028-525-102](#) [307-072-526-202](#) [330-030-500-278](#) [345-060-559-303](#) [534671-1](#) [341-240-317](#) [345-044-500-300](#) [346-240-318](#) [C7D10DS29C1M133](#) [395-100-524-300](#) [09-07-2032](#) [10035388-802LF](#) [10115859-011LF](#) [10122859-009LF](#) [101269333204245CLF](#) [530555-1](#) [66925-516LF](#) [5145409-2](#) [73726-0005](#) [66308-1](#) [EBC05DRXN](#) [KSLX-62-BR](#) [CE100F26-7-C](#) [CE100F28-3-D](#) [CE100F28-4-D](#) [CE156F22-9-C](#) [CT100F24-3-D](#) [CT100F24-6-C](#) [MLSS100-12-C](#) [SCC100F-11-C](#) [SCC100F-20-C](#) [SCC100F-24-C](#) [SCC100F-25-C](#) [3-530656](#) [2512250177](#) [285-0112-12300](#) [346-068-556-300](#) [284-0492-11000](#) [287-0032-12301](#)