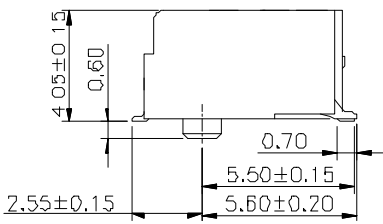
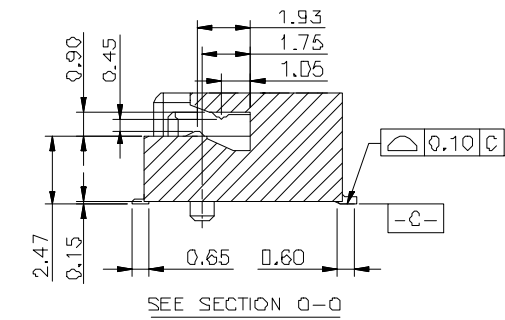


REV.	EGRN NO./DESCRIPTION	DATE	DRAWN	CHECKED	APPROVE
1	SN14165	11/15/14	Lxh	Vito	Barney
1A	SN15***	03/28/15	Jinjin.Tu	Vito	Barney
1B	SN16***	03/22/16	Jinjin.Tu	Vito	Barney



GENERAL TOLERANCES UNLESS SPECIFIED		PART NO.	连欣科技 Lian Xin Technology
X±0.25	X*±3°	SEE TABLE	
XX±0.25	X*±2°	APPROVED BY Barney	TITLE 0.5 PITCH M.2 H4.2 (KEY B)
XXX±0.15	XX*±1°	CHECKED BY Vito	DWG NO. AP-APCI0105
SIZE A4	UNITS MM[INCH]	DRAWN BY Lxh	SHEET 1 / 5
			SCALE 4:1
			REV 1B

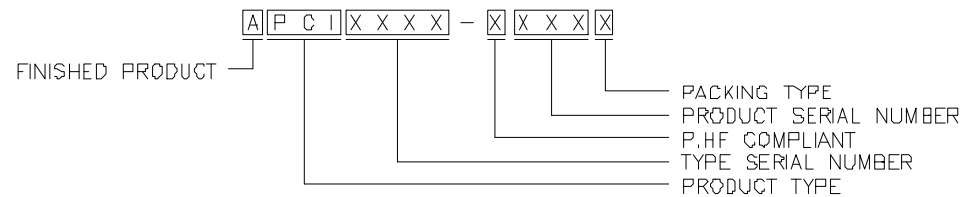
TABLE:


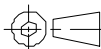
NO.	PART NO.	DESCRIPTION	DURABILITY
1	APCI0105-P001A	GOLD G/F ON CONTACT AREA	25 CYCLES
		GOLD G/F ON SOLDER AREA	
2	APCI0105-P002A	GOLD 10 μ ON CONTACT AREA	25 CYCLES
		GOLD G/F ON SOLDER AREA	
3	APCI0105-P003A	GOLD 15 μ ON CONTACT AREA	25 CYCLES
		GOLD G/F ON SOLDER AREA	
4	APCI0105-P004A	GOLD 30 μ ON CONTACT AREA	60 CYCLES
		GOLD G/F ON SOLDER AREA	

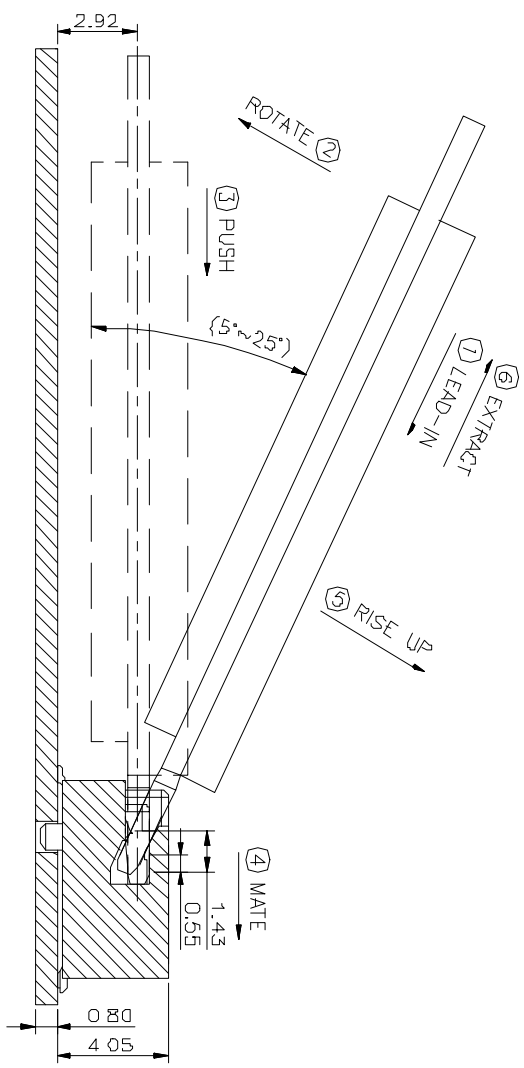
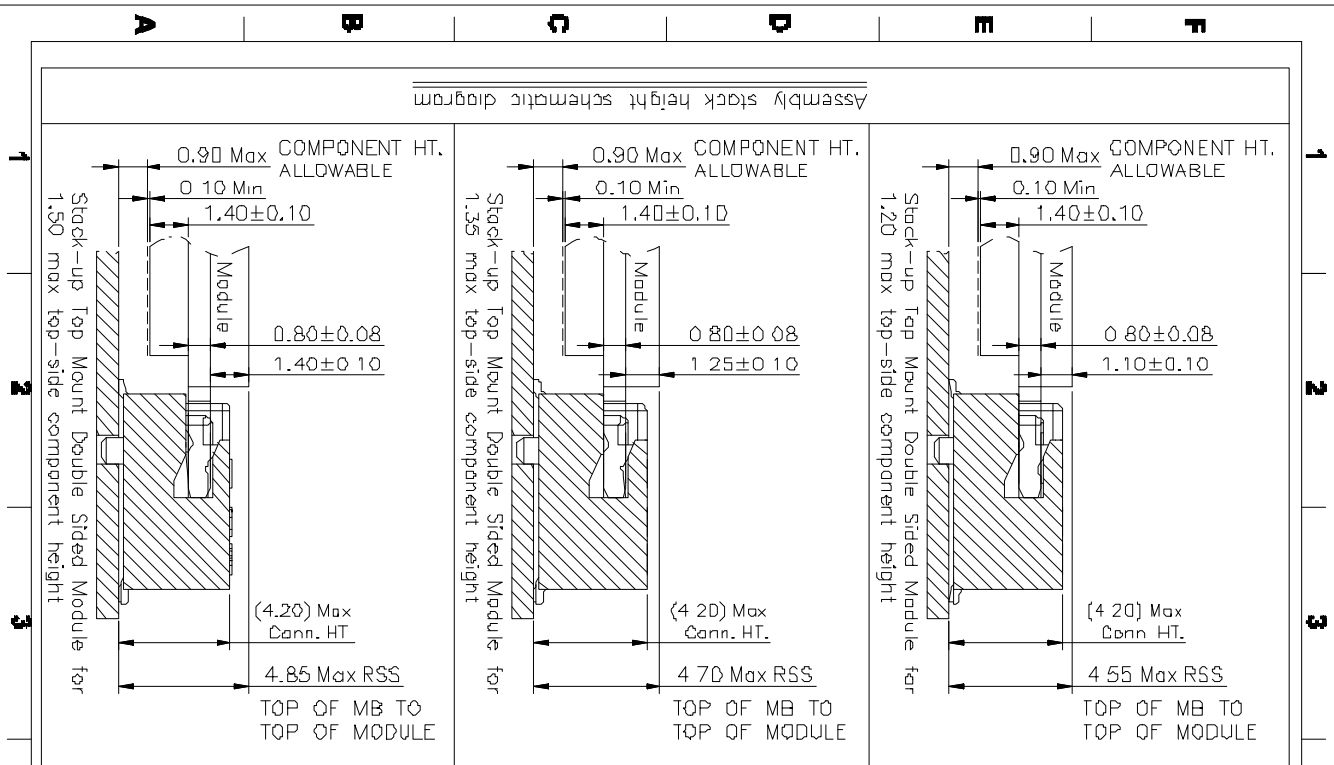
Notes:

- MATERIAL SPECIFICATION:
 - HOUSING: LCP+40%GF, UL94V-0, COLOR: BLACK.
 - CONTACT: COPPER ALLOY C1065.
 - PEG: STEEL.
- PLATING SPECIFICATION:
 - CONTACT: 50 μ MIN. NICKEL UNDER PLATING OVER ALL. PLATING ON SOLDER AREA: SEE TABLE GOLD PLATING ON CONTACT AREA: SEE TABLE
 - PEG: 50 μ MIN. NICKEL UNDER PLATING OVER ALL. 80 μ MIN. MATTE TIN PLATING ON SOLDER AREA.
- HF COMPLIANT, RoHS COMPLIANT
- DATE CODE: XX XX XX
 DAY
 WEEK
 YEAR
- MECHANICAL PERFORMANCE:
 - DURABILITY: SEE TABLE
- ELECTRICAL PERFORMANCE:
 - CURRENT: 0.5A PER PIN
 - LLCR: INITIAL 55m Ω MAX; FINAL Δ LLCR=20m Ω MAX
- IR REFLOW:

THE TEMPERATURE SHALL BE 260 \pm 5 $^{\circ}$ C MAINTAINING 10 \pm 1 SECONDS.
- PRODUCT NUMBER NOTE:



GENERAL TOLERANCES UNLESS SPECIFIED		PART NO.			
X \pm 0.25	X \pm 3 $^{\circ}$	SEE TABLE	TITLE		
XX \pm 0.25	X \pm 2 $^{\circ}$	APPROVED BY	0.5 PITCH M.2 H4.2 (KEY B)		
XXX \pm 0.15	XX \pm 1 $^{\circ}$	Bamey	DWG NO.		
CUSTOMER DRAWING	CHECKED BY	Vito	AP-APCI010G		
SIZE	UNITS	DRAWN BY		SHEET	
A4	MM [INCH]	Ljh		SCALE	REV
			2 / 5	4:1	1B

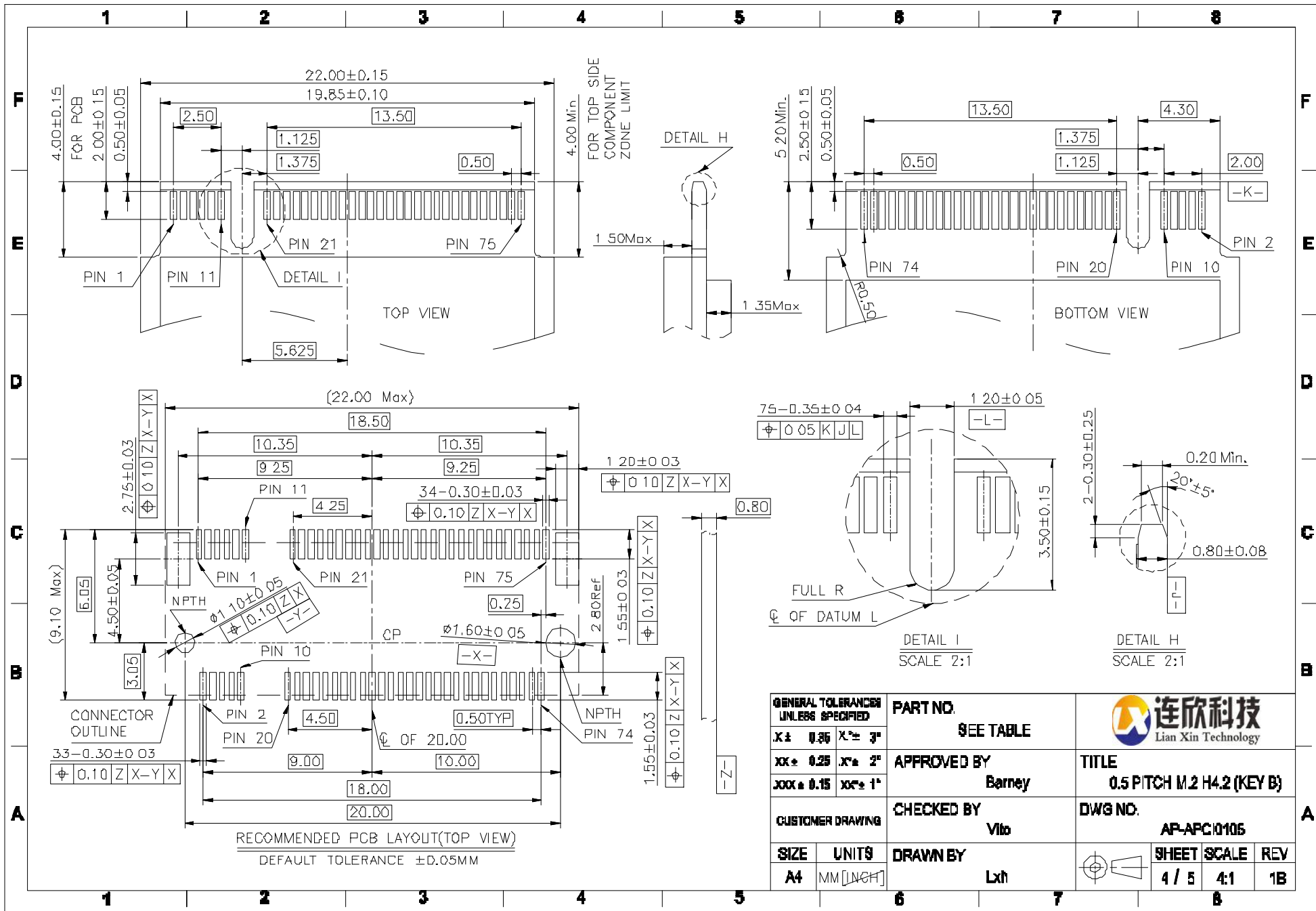


NOTE: Mating force will generate from step 3 to step 4.

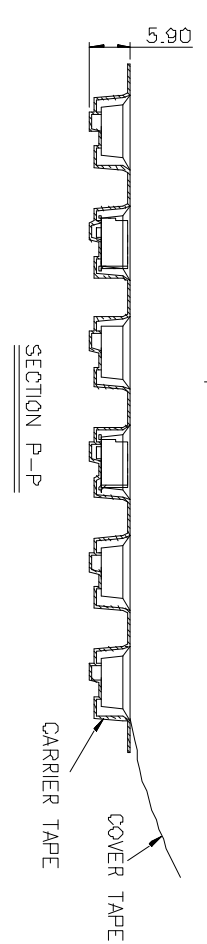
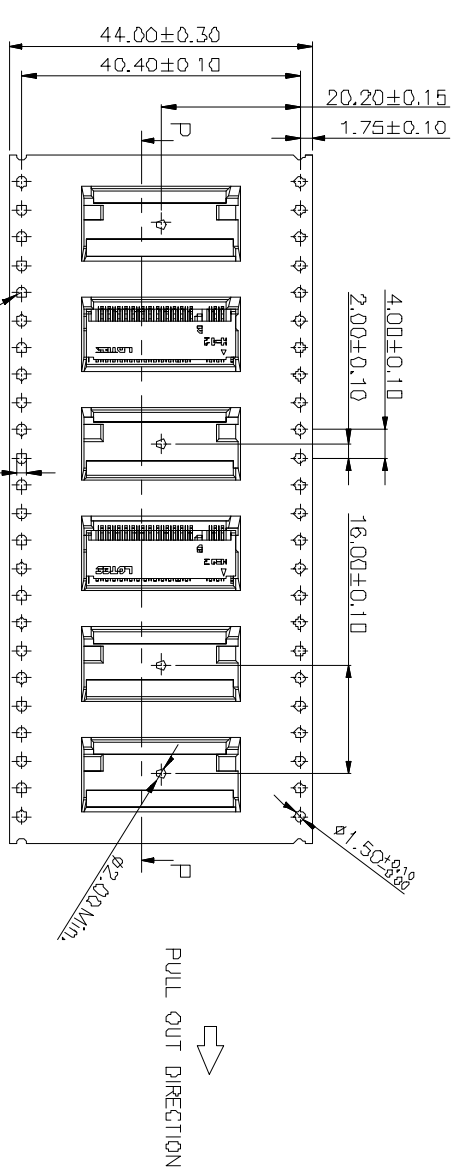
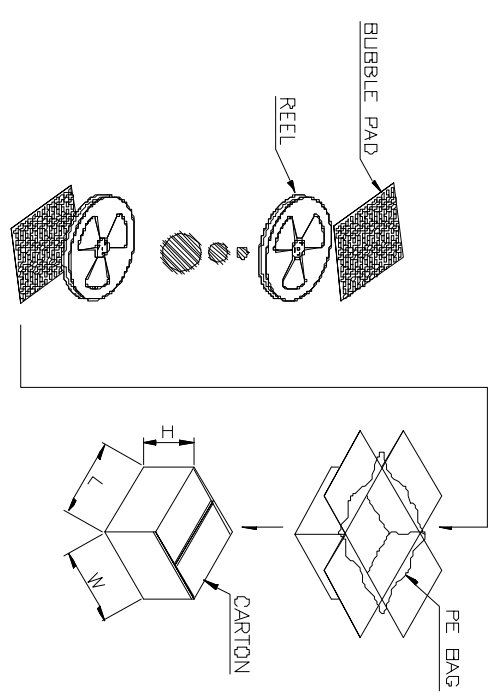
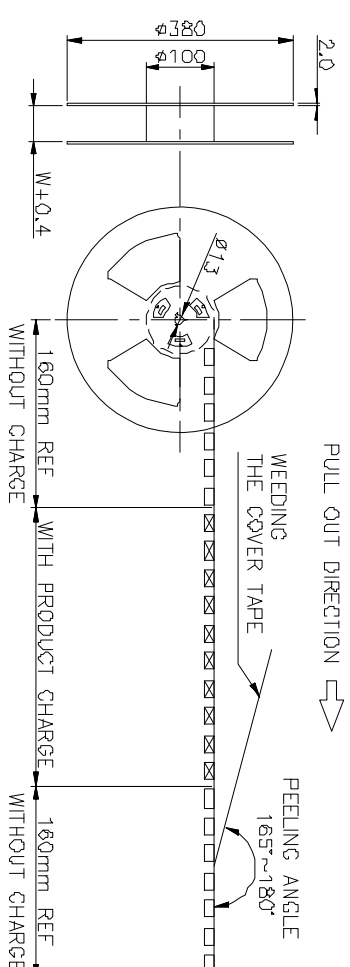
HOW TO MATE AND EXTRACT
 MATE: ① → ④
 EXTRACT: ⑤ → ⑦

GENERAL TOLERANCES UNLESS SPECIFIED		PART NO.		SEE TABLE		TITLE	
X ± 0.36	X ± 0.75	X ± 0.75	X ± 1.5	APPROVED BY		4.5 PITCH M2 H4.2 (KEY B)	
X ± 0.25	X ± 0.5	X ± 1.0	X ± 2.0	CHECKED BY		DWG NO.	
X ± 0.15	X ± 0.3	X ± 0.6	X ± 1.2	VIA		AP-APC10106	
CUSTOMER DRAWING		DRAWN BY		LXH		SHEET SCALE	
A4		MM		REV		19	





GENERAL TOLERANCES UNLESS SPECIFIED		PART NO. SEE TABLE	连欣科技 Lian Xin Technology
$X \pm 0.25$	$X^{\circ} \pm 3^{\circ}$		
$XX \pm 0.25$	$X^{\circ} \pm 2^{\circ}$	APPROVED BY Barney	TITLE 0.5 PITCH M.2 H4.2 (KEY B)
$XXX \pm 0.15$	$X^{\circ} \pm 1^{\circ}$	CHECKED BY Vib	DWG NO. AP-APC/0106
CUSTOMER DRAWING		DRAWN BY Lxt	
SIZE A4	UNITS MM [INCH]		SHEET SCALE REV 4 / 5 4:1 1B



GENERAL TOLERANCES UNLESS SPECIFIED		PART NO.		SEE TABLE	
X±	0.30	X/2	0'		
Xx±	0.25	X/4	2'	APPROVED BY	
X00±	0.15	X/4 ± 1°		Barney	
CUSTOMER DRAWING		CHECKED BY		Viljo	
SIZE	UNITS	DRAWN BY		Lxh	
A4	MM [INCH]				
TITLE		DWG NO.		AP-APC10/05	
0.5 PITCH M2H4.2 (KEY B)					
SHEET SCALE		REV		1B	
5 / 6		1:1			

900 5400
 PCS/REEL PCS/CARTON

X-ON Electronics

Largest Supplier of Electrical and Electronic Components

Click to view similar products for [Standard Card Edge Connectors](#) category:

Click to view products by [Lian Xin](#) manufacturer:

Other Similar products are found below :

[CR7E-30DB-3.96E\(72\)](#) [6565204-6](#) [1437274-4](#) [1-582587-1](#) [284-0102-12100](#) [286-0052-12101A](#) [306022901000000](#) [A6D22DS29C2](#) [1926088-2](#) [245-062-520-350](#) [287-0032-12101](#) [306-028-525-102](#) [307-072-526-202](#) [330-030-500-278](#) [345-060-559-303](#) [534671-1](#) [341-240-317](#) [345-044-500-300](#) [346-240-318](#) [C7D10DS29C1M133](#) [395-100-524-300](#) [09-07-2032](#) [10035388-802LF](#) [10115859-011LF](#) [10122859-009LF](#) [101269333204245CLF](#) [530555-1](#) [66925-516LF](#) [5145409-2](#) [73726-0005](#) [66308-1](#) [EBC05DRXN](#) [KSLX-62-BR](#) [CE100F26-7-C](#) [CE100F28-3-D](#) [CE100F28-4-D](#) [CE156F22-9-C](#) [CT100F24-3-D](#) [CT100F24-6-C](#) [MLSS100-12-C](#) [SCC100F-11-C](#) [SCC100F-20-C](#) [SCC100F-24-C](#) [SCC100F-25-C](#) [3-530656](#) [2512250177](#) [285-0112-12300](#) [346-068-556-300](#) [284-0492-11000](#) [287-0032-12301](#)