

REV.	ECR/N NO./DESCRIPTION	DATE	DRAWN	CHECKED	APPROVE
1	SN14190	01/04'15	SAM	VITO	BARNEY

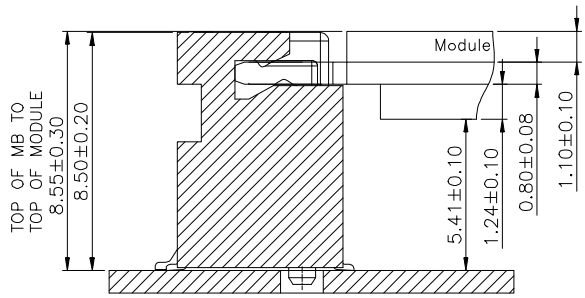
- NOTES:
- MATERIAL SPECIFICATION:
 - 1-1. HOUSING: LCP+40%GF,UL-94V0,BLACK.
 - 1-2. CONTACT: COPPER ALLOY C1065.
 - 1-3. SMT TAB: S50C.
 - PLATING SPECIFICATION:
 - 2-1. CONTACT:
 - 50u" MIN. NICKEL UNDER PLATING OVER ALL.
 - G/F" PLATING ON SOLDER AREA.
 - GOLD PLATING ON CONTACT AREA SEE TABLE.
 - 2-2. SMT TAB:
 - 50u" MIN. NICKEL UNDER PLATING OVER ALL.
 - 80u" MIN. MATTE TIN PLATING ON SOLDER AREA.
 - HF COMPLIANT, ROHS COMPLIANT.
 - DATE CODE: XXXXXX
 - DAY
 - WEEK
 - YEAR
 - MECHANICAL PERFORMANCE:
 - 5-1. DURABILITY: SEE TABLE.
 - ELECTRICAL PERFORMANCE:
 - 6-1. CURRENT: 0.5A PER PIN.
 - 6-2. LLCR: INITIAL 55mΩ MAX. ; FINAL ΔLLCR=20mΩ MAX..
 - IR REFLOW:
 - THE TEMPERATURE SHALL BE 260±5°C MAINTAINING 10±1 SECONDS.
 - PRODUCT NUMBER NOTE

A	P	C	I	X	X	X	X	X	X	X	X	X		
PACKING TYPE			PRODUCT SERIAL NUMBER			P:HF COMPLIANT			TYPE SERIAL NUMBER			PRODUCT TYPE		
FINISHED PRODUCT														

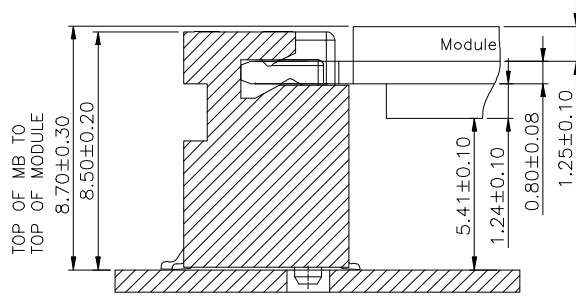
KEY NO.	PART NO.	CONTACT PLATING	DURABILITY
B-KEY	APCI0161-P004A	30u" MIN. GOLD	60 CYCLES
	APCI0161-P003A	15u" MIN. GOLD	25 CYCLES
	APCI0161-P002A	10u" MIN. GOLD	25 CYCLES
	APCI0161-P001A	1u" MIN. GOLD	25 CYCLES

GENERAL TOLERANCES UNLESS SPECIFIED		PART NO.	深圳市连欣科技有限公司
X± 0.35	X°± 3°	SEE TABLE	
.XX± 0.25	.X°± 2°	APPROVED BY	TITLE
.XXX± 0.15	.XX°± 1°	Barney	0.5 PITCH M.2 8.5H TOP MOUNT-DOUBLE SIDED
CUSTOMER DRAWING		CHECKED BY	DWG NO.
		Vito	AP-APCI0161-X
SIZE	UNITS	DRAWN BY	SHEET SCALE REV
A4	MM[INCH]	Sam	

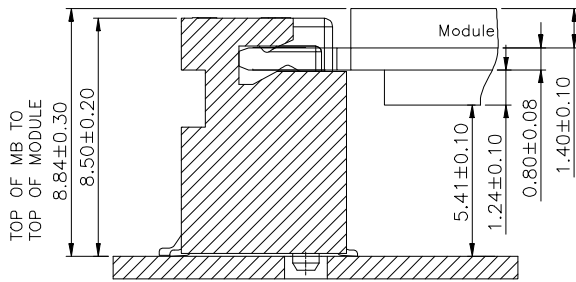
Assembly stack height schematic diagram



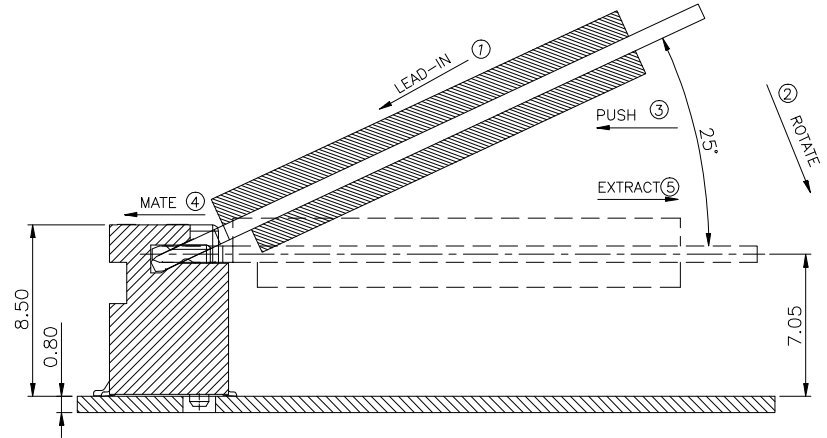
Stack-up Top Mount Double Sided Module for 1.20 max top-side component height



Stack-up Top Mount Double Sided Module for 1.35 max top-side component height



Stack-up Top Mount Double Sided Module for 1.35 max top-side component height

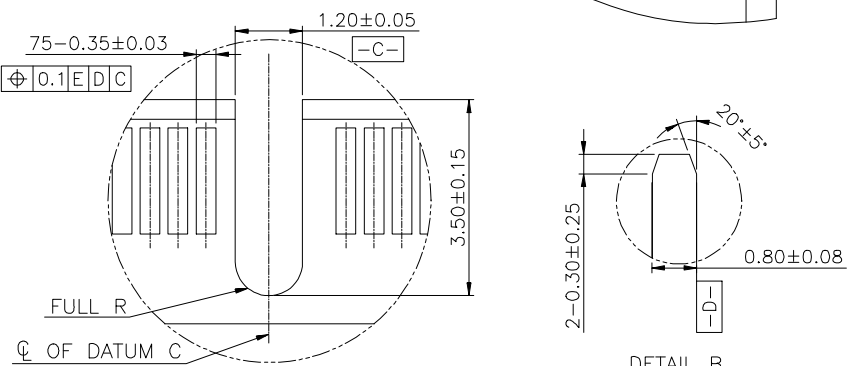
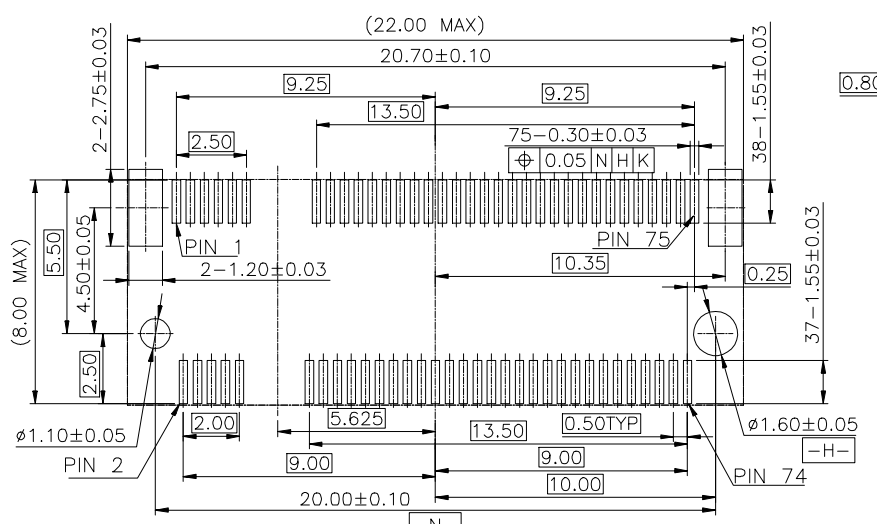
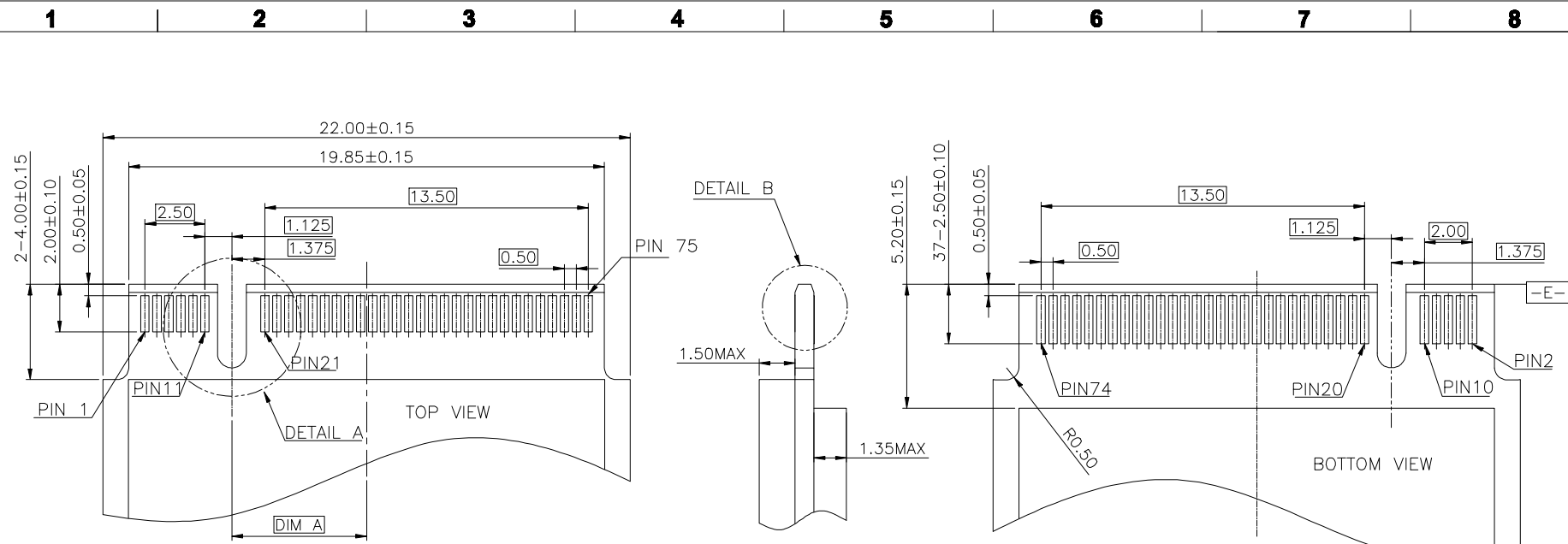


HOW TO MATE AND EXTRACT

MATE: ① → ④
EXTRACT: ⑤

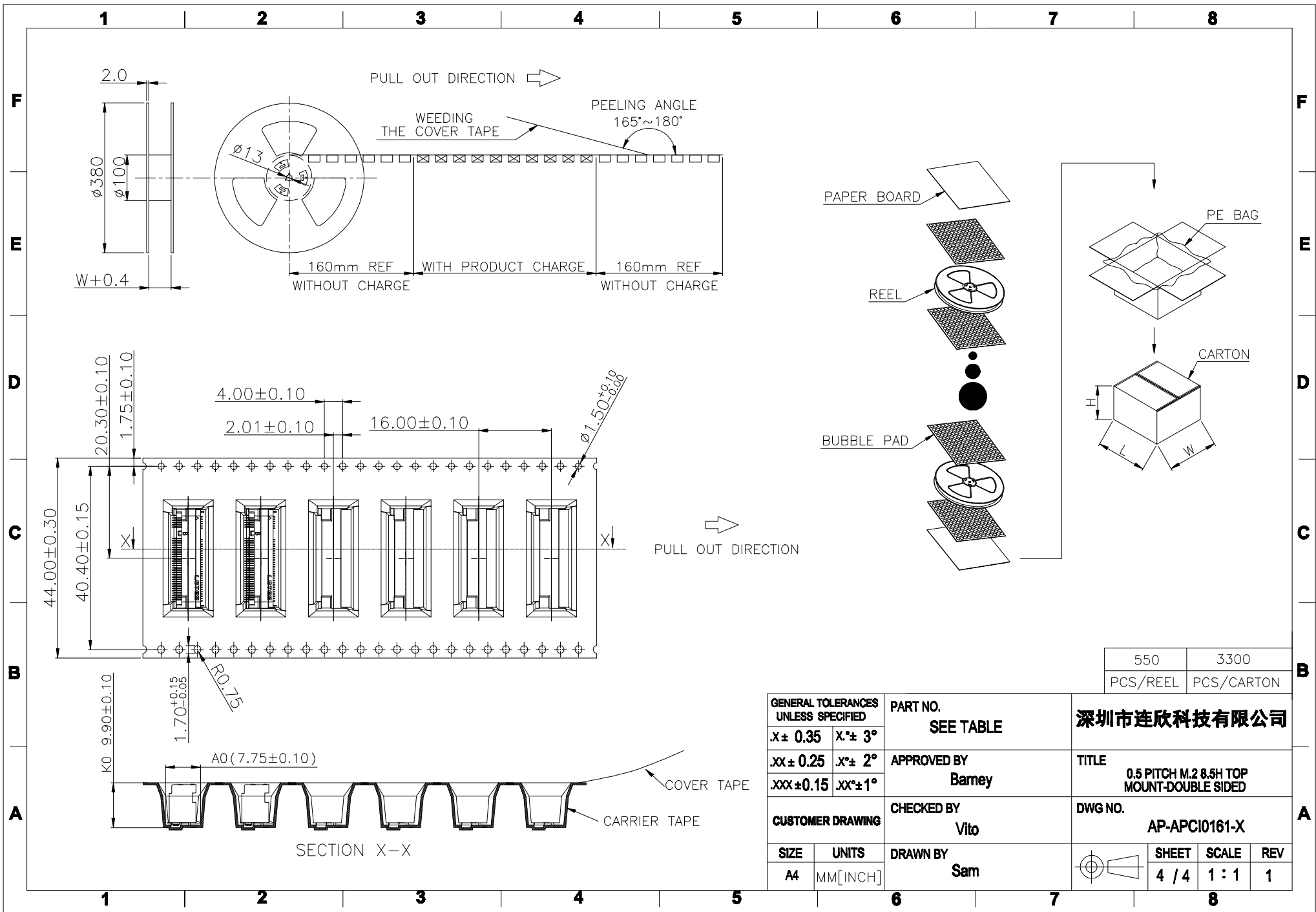
NOTE: Mating force will generate from step 3 to step 4.

GENERAL TOLERANCES UNLESS SPECIFIED		PART NO. SEE TABLE	深圳市连欣科技有限公司		
$X \pm 0.35$	$X^\circ \pm 3^\circ$	APPROVED BY Barney	TITLE 0.5 PITCH M.2 8.5H TOP MOUNT-DOUBLE SIDED		
$.XX \pm 0.25$	$.X^\circ \pm 2^\circ$	CHECKED BY Vito	DWG NO. AP-APCI0161-X		
$.XXX \pm 0.15$	$.XX^\circ \pm 1^\circ$	DRAWN BY Sam		SHEET	SCALE
CUSTOMER DRAWING				2 / 4	4 : 1
SIZE	UNITS			REV	
A4	MM [INCH]			1	



RECOMMENDED PCB LAYOUT (TOP VIEW)
 DEFAULT TOLERANCE ±0.05MM

GENERAL TOLERANCES UNLESS SPECIFIED		PART NO. SEE TABLE	深圳市连欣科技有限公司		
X ± 0.35	X° ± 3°				
XX ± 0.25	X° ± 2°	APPROVED BY Bamey	TITLE 0.5 PITCH M.2 8.5H TOP MOUNT-DOUBLE SIDED		
.XXX ± 0.15	.XX° ± 1°				
CUSTOMER DRAWING		CHECKED BY Vito	DWG NO. AP-APCI0161-X		
SIZE	UNITS				
A4	MM [INCH]				



550	3300
PCS/REEL	PCS/CARTON

GENERAL TOLERANCES UNLESS SPECIFIED		PART NO. SEE TABLE	深圳市连欣科技有限公司					
$X \pm 0.35$	$X^{\circ} \pm 3^{\circ}$					TITLE 0.5 PITCH M.2 8.5H TOP MOUNT-DOUBLE SIDED		
$.XX \pm 0.25$	$X^{\circ} \pm 2^{\circ}$							
$.XXX \pm 0.15$	$.XX^{\circ} \pm 1^{\circ}$	APPROVED BY Bamey	DWG NO. AP-APCI0161-X					
CUSTOMER DRAWING		CHECKED BY Vito						
SIZE A4	UNITS MM[INCH]	DRAWN BY Sam		SHEET 4 / 4	SCALE 1 : 1	REV 1		

X-ON Electronics

Largest Supplier of Electrical and Electronic Components

Click to view similar products for [Standard Card Edge Connectors](#) category:

Click to view products by [Lian Xin](#) manufacturer:

Other Similar products are found below :

[CR7E-30DB-3.96E\(72\)](#) [6565204-6](#) [1437274-4](#) [1-582587-1](#) [284-0102-12100](#) [286-0052-12101A](#) [306022901000000](#) [A6D22DS29C2](#) [1926088-2](#) [245-062-520-350](#) [287-0032-12101](#) [306-028-525-102](#) [307-072-526-202](#) [330-030-500-278](#) [345-060-559-303](#) [534671-1](#) [341-240-317](#) [345-044-500-300](#) [346-240-318](#) [C7D10DS29C1M133](#) [395-100-524-300](#) [09-07-2032](#) [10035388-802LF](#) [10115859-011LF](#) [10122859-009LF](#) [101269333204245CLF](#) [530555-1](#) [66925-516LF](#) [5145409-2](#) [73726-0005](#) [66308-1](#) [EBC05DRXN](#) [KSLX-62-BR](#) [CE100F26-7-C](#) [CE100F28-3-D](#) [CE100F28-4-D](#) [CE156F22-9-C](#) [CT100F24-3-D](#) [CT100F24-6-C](#) [MLSS100-12-C](#) [SCC100F-11-C](#) [SCC100F-20-C](#) [SCC100F-24-C](#) [SCC100F-25-C](#) [3-530656](#) [2512250177](#) [285-0112-12300](#) [346-068-556-300](#) [284-0492-11000](#) [287-0032-12301](#)