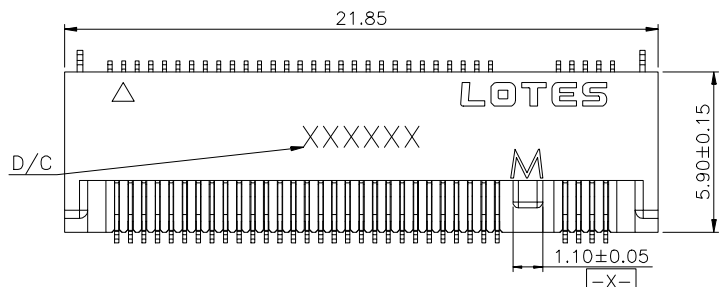
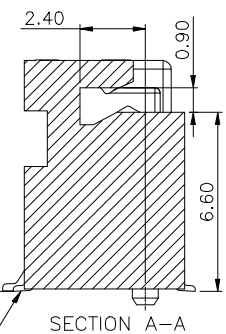
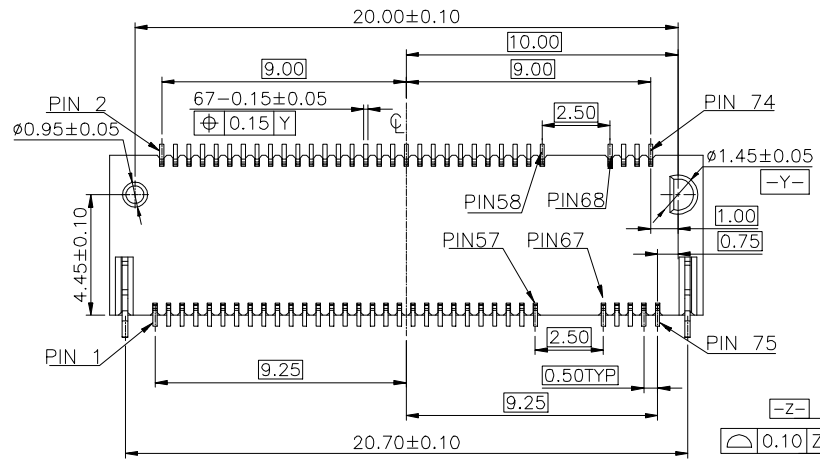
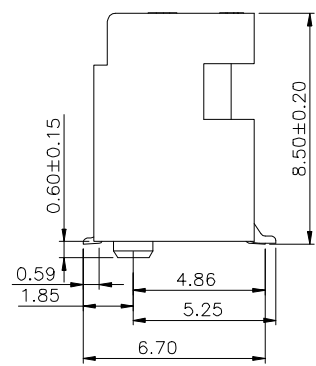
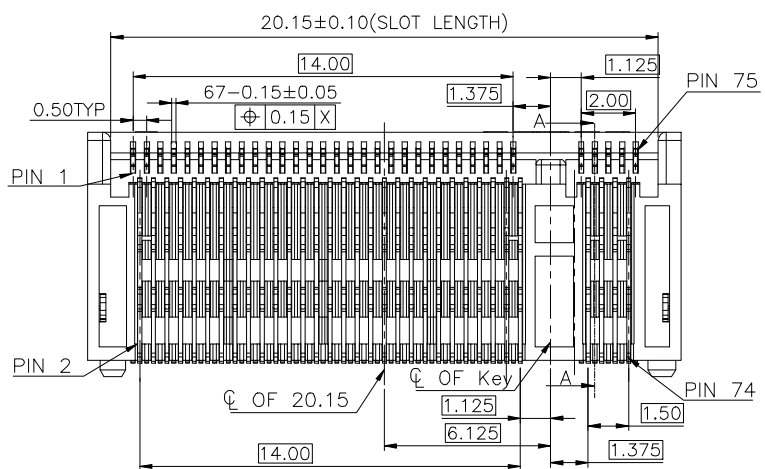
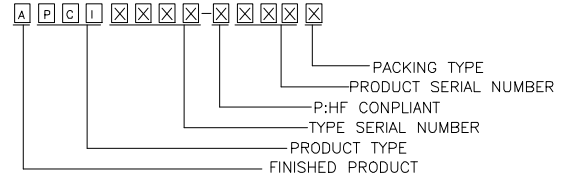


REV.	ECR/NO./DESCRIPTION	DATE	DRAWN	CHECKED	APPROVE
1	SN14190	01/04'15	Sam	Vito	Bamey



NOTES:

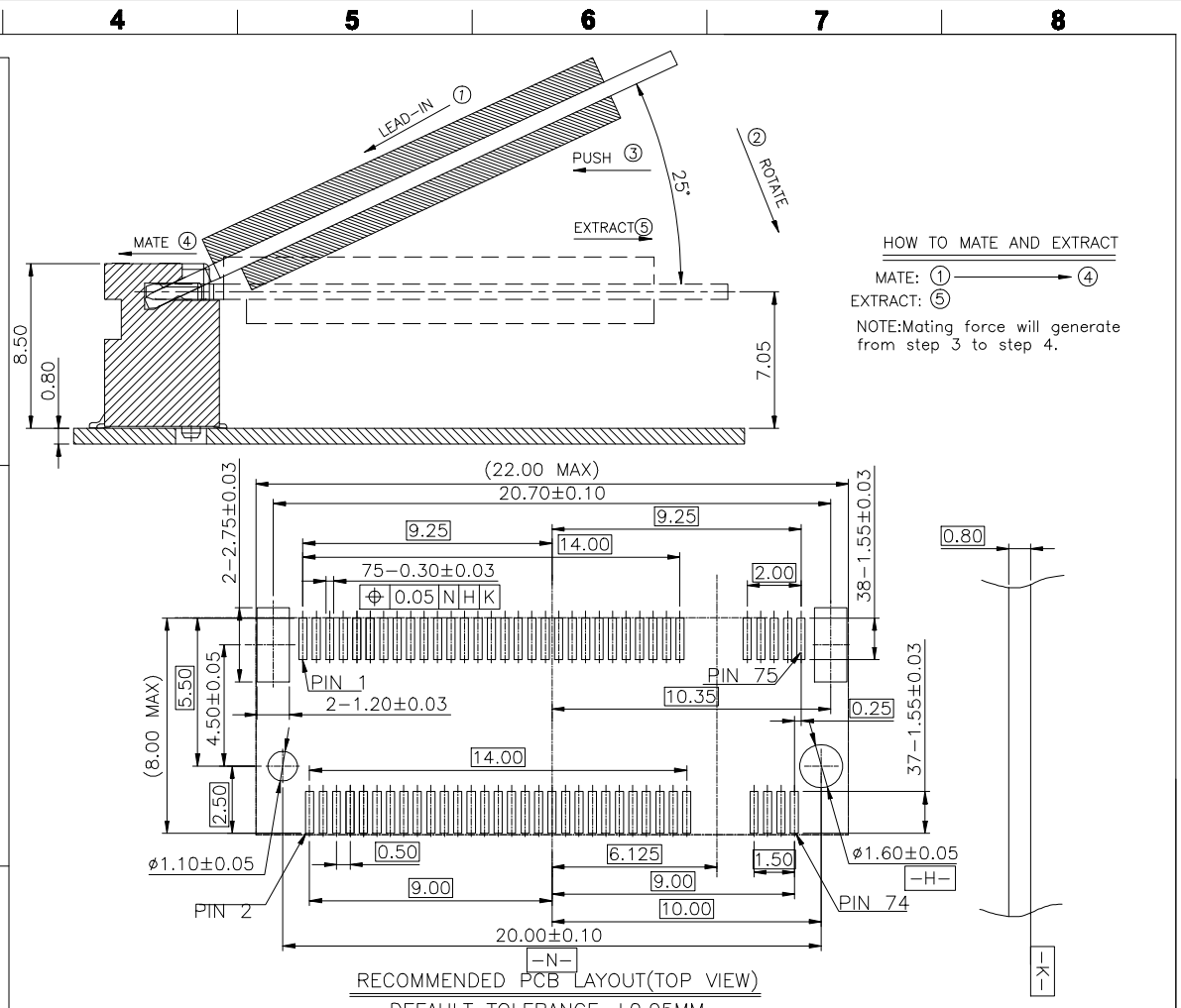
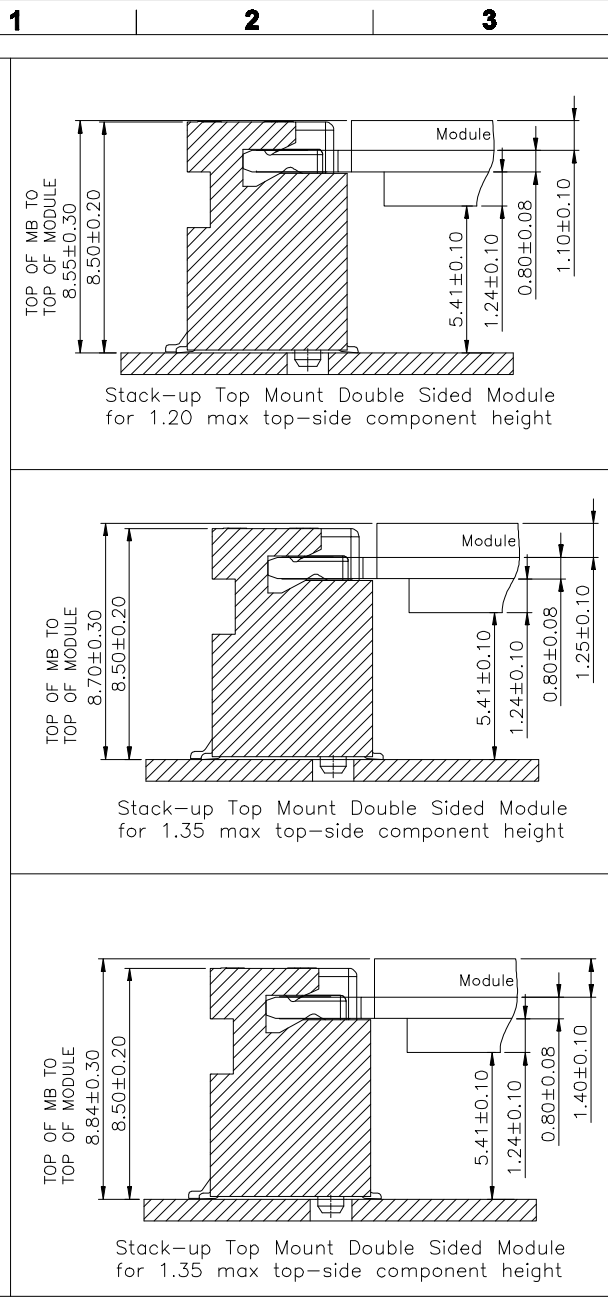
- MATERIAL SPECIFICATION:
 - HOUSING: LCP+40%GF,UL-94V0,BLACK.
 - CONTACT:COPPER ALLOY C1065.
 - SMT TAB: S50C.
- PLATING SPECIFICATION:
 - CONTACT:
 - 50u" MIN,NICKEL UNDER PLATING OVER ALL.
 - G/F" PLATING ON SOLDER AREA.
 - GOLD PLATING ON CONTACT AREA SEE TABLE.
 - SMT TAB:
 - 50u" MIN. NICKEL UNDER PLATING OVER ALL.
 - 80u" MIN. MATTE TIN PLATING ON SOLDER AREA.
- HF COMPLIANT, ROHS COMPLIANT.
- DATE CODE: XXXXXX
 - DAY
 - WEEK
 - YEAR
- MECHANICAL PERFORMANCE:
 - DURABILITY: SEE TABLE
- ELECTRICAL PERFORMANCE:
 - CURRENT: 0.5A PER PIN.
 - LLCR: INITIAL 55mΩ MAX. ; FINAL ΔLLCR=20mΩ MAX..
- IR REFLOW:
 - THE TEMPERATURE SHALL BE 260±5°C MAINTAINING 10±1 SECONDS.
- PRODUCT NUMBER NOTE



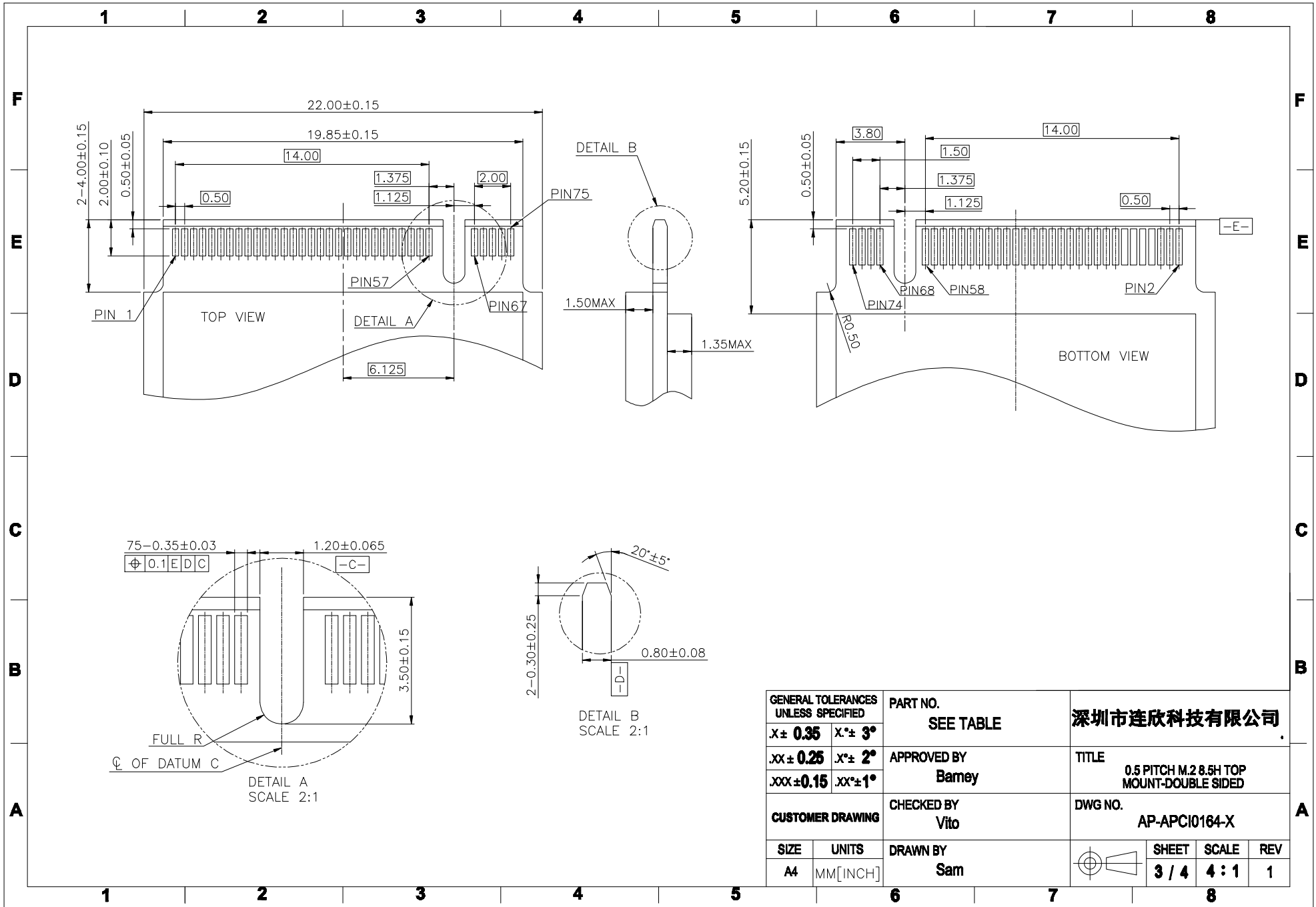
KEY NO	PART NO.	CONTACT PLATING	DURABILITY
M-KEY	APCI0164-P004A	30u" MIN. GOLD	60 CYCLES
	APCI0164-P003A	15u" MIN. GOLD	25 CYCLES
	APCI0164-P002A	10u" MIN. GOLD	25 CYCLES
	APCI0164-P001A	1u" MIN. GOLD	25 CYCLES

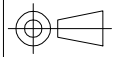
GENERAL TOLERANCES UNLESS SPECIFIED		PART NO.	深圳市连欣科技有限公司		
X±0.35	X°±3°	SEE TABLE			
.XX±0.25	.X°±2°	APPROVED BY	TITLE		
.XXX±0.15	.XX°±1°	Bamey			
CUSTOMER DRAWING		CHECKED BY	DWG NO.		
		Vito			
SIZE	UNITS	DRAWN BY	SHEET SCALE REV		
A4	MM[INCH]	Sam			
			1 / 4	4 : 1	1

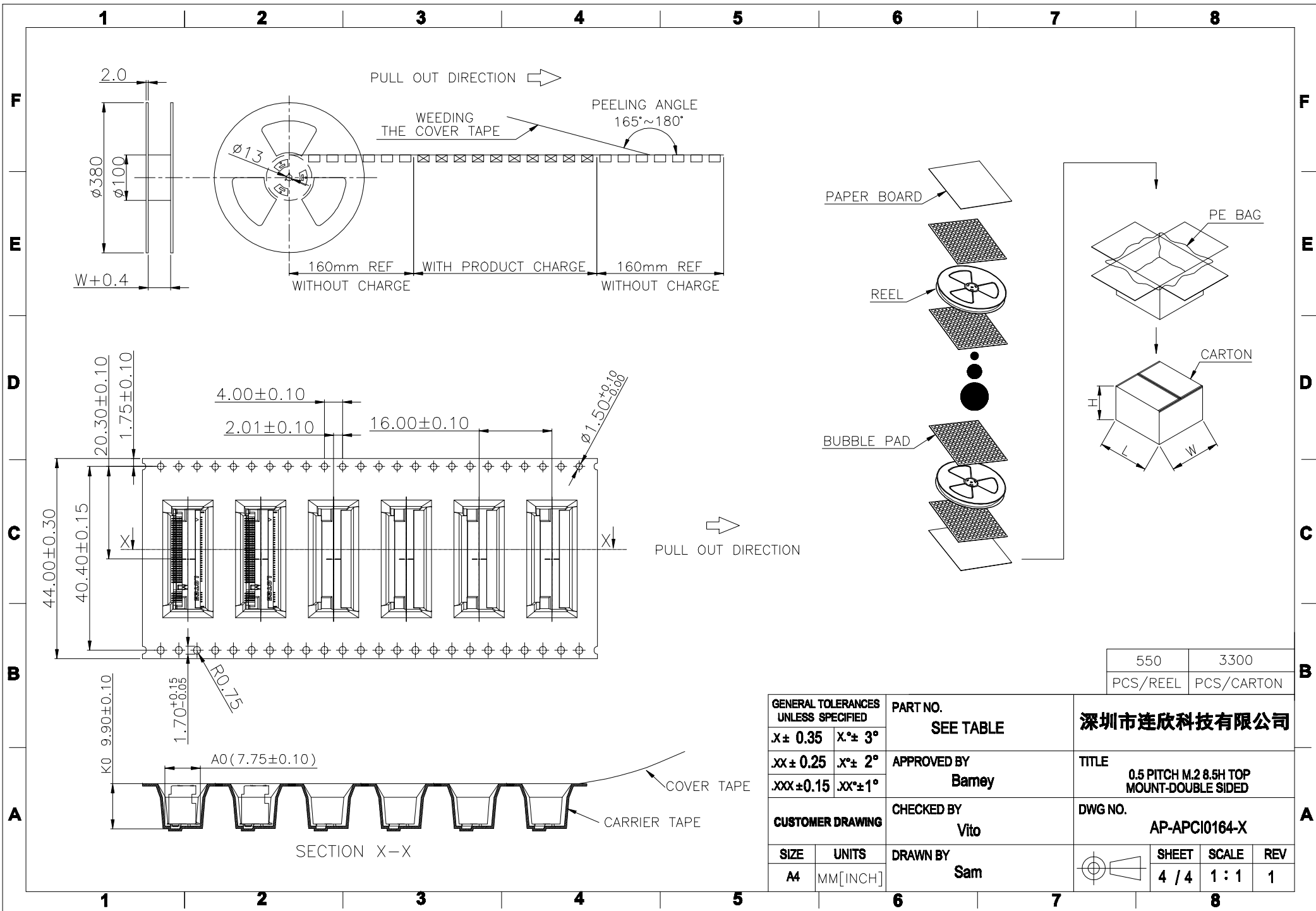
Assembly stack height schematic diagram



GENERAL TOLERANCES UNLESS SPECIFIED		PART NO. SEE TABLE		深圳市连欣科技有限公司		
X ± 0.35	X° ± 3°	APPROVED BY Barney		TITLE 0.5 PITCH M.2 8.5H TOP MOUNT-DOUBLE SIDED		
.XX ± 0.25	.X° ± 2°	CHECKED BY Vito		DWG NO. AP-APCI0164-X		
.XXX ± 0.15	.XX° ± 1°	DRAWN BY Sam		SHEET 2 / 4		
SIZE A4	UNITS MM [INCH]	DRAWN BY Sam		SCALE 4 : 1		
				REV 1		



GENERAL TOLERANCES UNLESS SPECIFIED		PART NO.	深圳市连欣科技有限公司			
X± 0.35	X°± 3°	SEE TABLE	TITLE			
.XX± 0.25	X°± 2°	APPROVED BY	0.5 PITCH M.2 8.5H TOP MOUNT-DOUBLE SIDED			
.XXX± 0.15	.XX°± 1°	Barney	DWG NO.			
CUSTOMER DRAWING		CHECKED BY	AP-APCI0164-X			
		Vito				
SIZE	UNITS	DRAWN BY		SHEET	SCALE	REV
A4	MM[INCH]	Sam		3 / 4	4 : 1	1



GENERAL TOLERANCES UNLESS SPECIFIED		PART NO. SEE TABLE	深圳市连欣科技有限公司						
$X \pm 0.35$	$X^\circ \pm 3^\circ$					APPROVED BY Bamey	TITLE 0.5 PITCH M.2 8.5H TOP MOUNT-DOUBLE SIDED		
$.XX \pm 0.25$	$.X^\circ \pm 2^\circ$					CHECKED BY Vito	DWG NO. AP-APCI0164-X		
$.XXX \pm 0.15$	$.XX^\circ \pm 1^\circ$	CUSTOMER DRAWING	DRAWN BY Sam	SHEET 4 / 4					
SIZE A4	UNITS MM[INCH]	DRAWN BY Sam			SCALE 1 : 1	REV 1			

550	3300
PCS/REEL	PCS/CARTON

X-ON Electronics

Largest Supplier of Electrical and Electronic Components

Click to view similar products for [Standard Card Edge Connectors](#) category:

Click to view products by [Lian Xin](#) manufacturer:

Other Similar products are found below :

[CR7E-30DB-3.96E\(72\)](#) [6565204-6](#) [1437274-4](#) [1-582587-1](#) [284-0102-12100](#) [286-0052-12101A](#) [306022901000000](#) [A6D22DS29C2](#) [1926088-2](#) [245-062-520-350](#) [287-0032-12101](#) [306-028-525-102](#) [307-072-526-202](#) [330-030-500-278](#) [345-060-559-303](#) [534671-1](#) [341-240-317](#) [345-044-500-300](#) [346-240-318](#) [C7D10DS29C1M133](#) [395-100-524-300](#) [09-07-2032](#) [10035388-802LF](#) [10115859-011LF](#) [10122859-009LF](#) [101269333204245CLF](#) [530555-1](#) [66925-516LF](#) [5145409-2](#) [73726-0005](#) [66308-1](#) [EBC05DRXN](#) [KSLX-62-BR](#) [CE100F26-7-C](#) [CE100F28-3-D](#) [CE100F28-4-D](#) [CE156F22-9-C](#) [CT100F24-3-D](#) [CT100F24-6-C](#) [MLSS100-12-C](#) [SCC100F-11-C](#) [SCC100F-20-C](#) [SCC100F-24-C](#) [SCC100F-25-C](#) [3-530656](#) [2512250177](#) [285-0112-12300](#) [346-068-556-300](#) [284-0492-11000](#) [287-0032-12301](#)