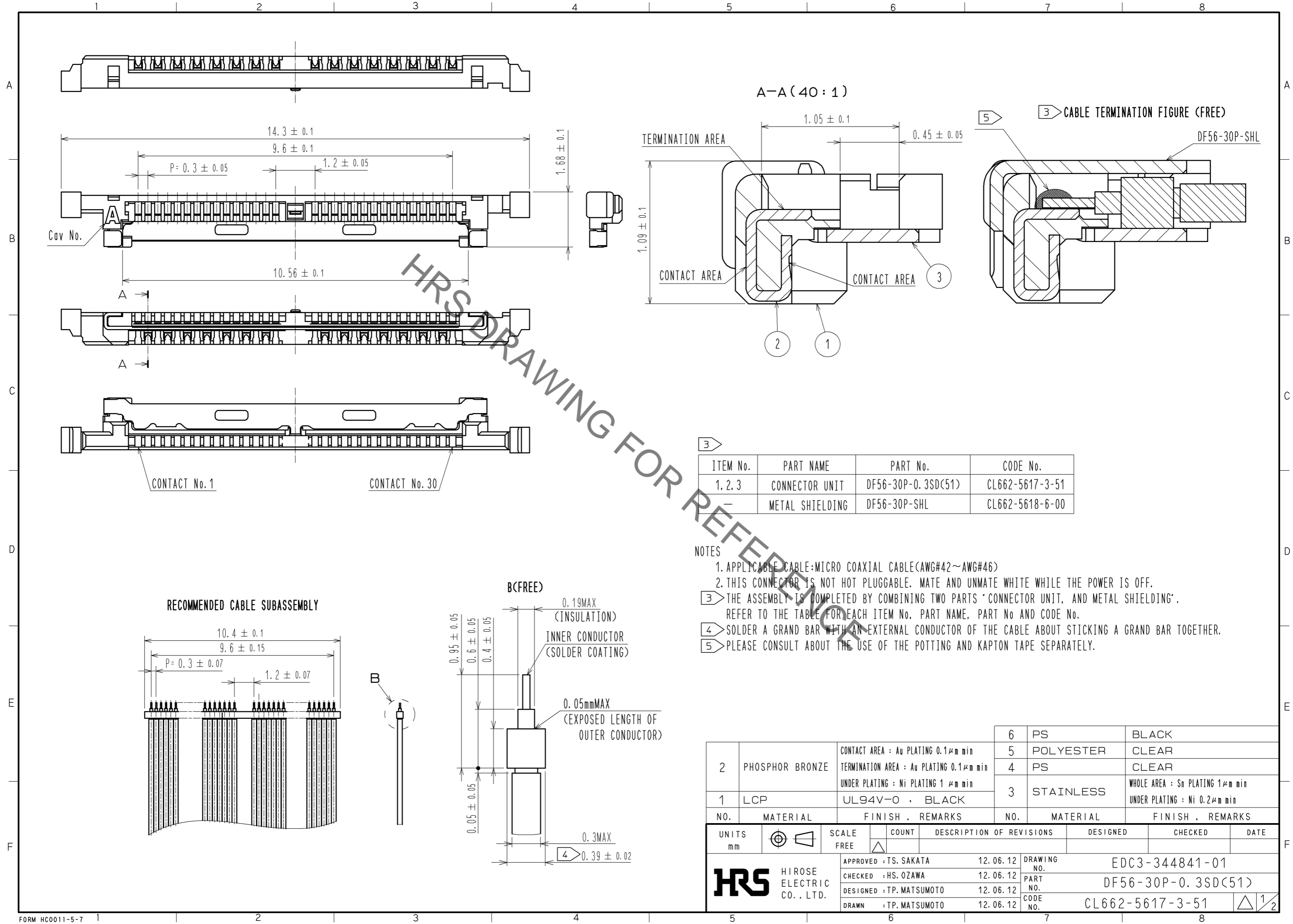
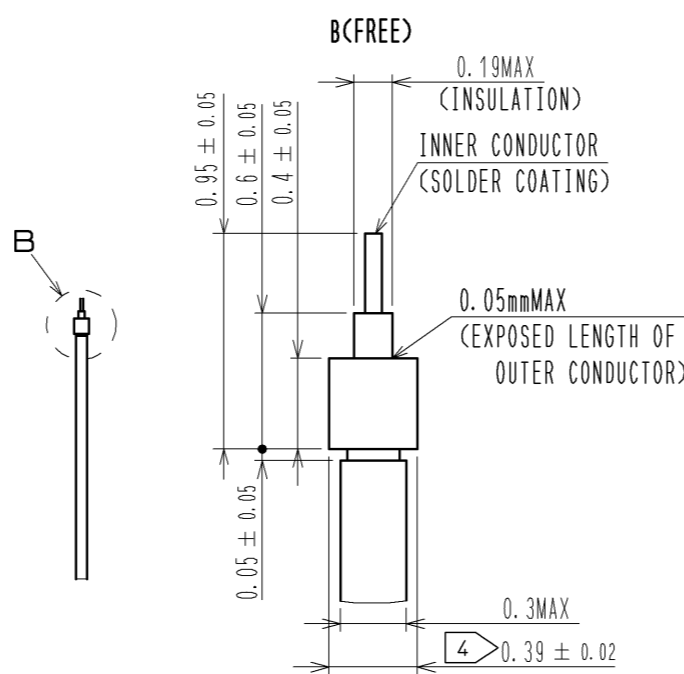
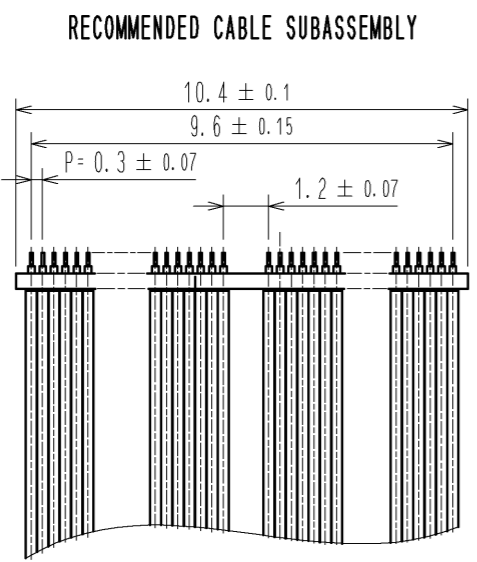


Apr.1.2023 Copyright 2023 HIROSE ELECTRIC CO., LTD. All Rights Reserved.
In case of consideration for using Automotive equipment / device which demand high reliability, kindly contact our sales window correspondents.



ITEM No.	PART NAME	PART No.	CODE No.
1, 2, 3	CONNECTOR UNIT	DF56-30P-0.3SD(51)	CL662-5617-3-51
-	METAL SHIELDING	DF56-30P-SHL	CL662-5618-6-00

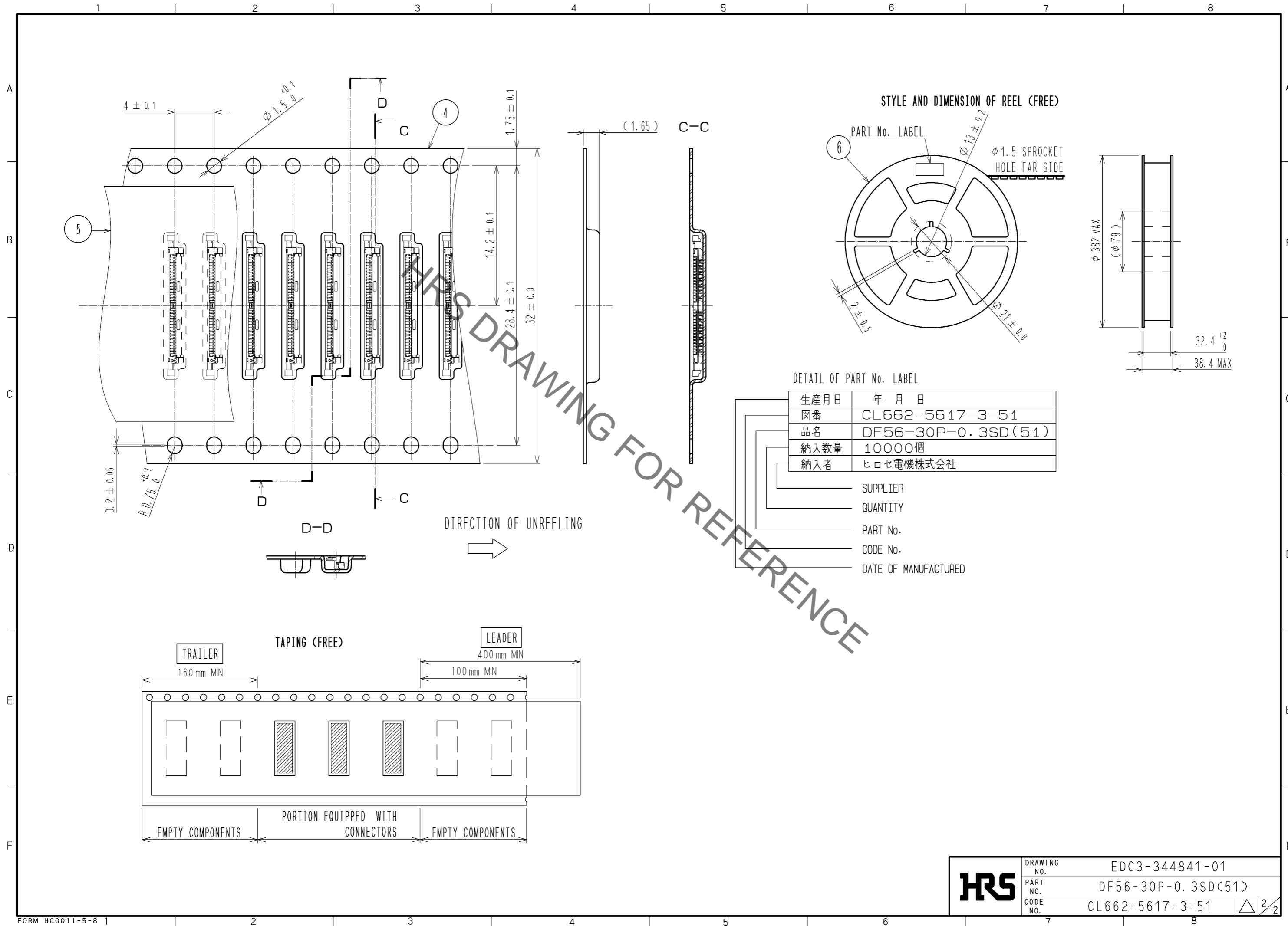
- NOTES
1. APPLICABLE CABLE: MICRO COAXIAL CABLE(AWG#42~AWG#46)
 2. THIS CONNECTOR IS NOT HOT PLUGGABLE. MATE AND UNMATE WHITE WHILE THE POWER IS OFF.
 3. THE ASSEMBLY IS COMPLETED BY COMBINING TWO PARTS 'CONNECTOR UNIT, AND METAL SHIELDING'. REFER TO THE TABLE FOR EACH ITEM No., PART NAME, PART No AND CODE No.
 4. SOLDER A GRAND BAR WITH AN EXTERNAL CONDUCTOR OF THE CABLE ABOUT STICKING A GRAND BAR TOGETHER.
 5. PLEASE CONSULT ABOUT THE USE OF THE POTTING AND KAPTON TAPE SEPARATELY.



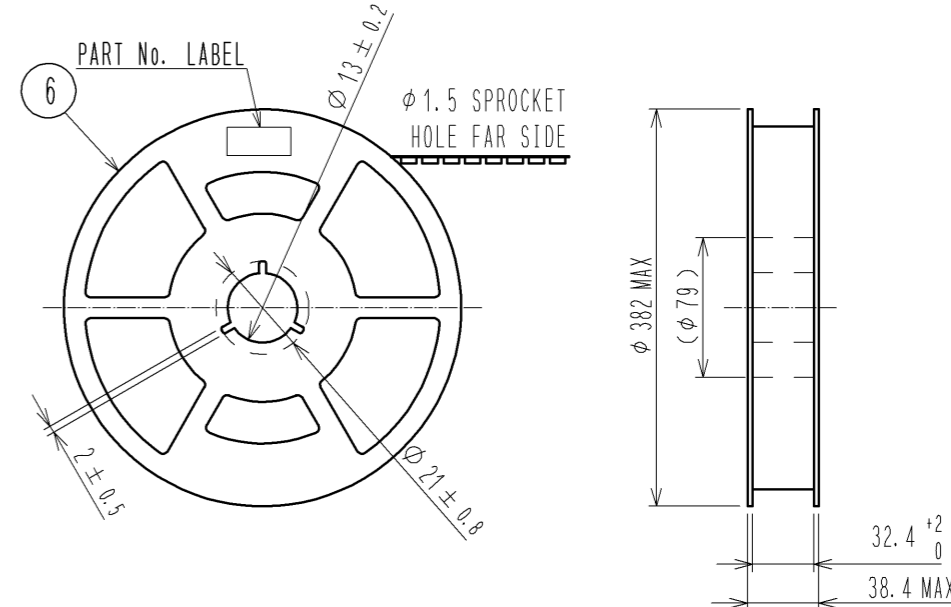
NO.	MATERIAL	FINISH	REMARKS	NO.	MATERIAL	FINISH	REMARKS
2	PHOSPHOR BRONZE	CONTACT AREA : Au PLATING 0.1 μm min TERMINATION AREA : Au PLATING 0.1 μm min UNDER PLATING : Ni PLATING 1 μm min		6	PS	BLACK	
1	LCP	UL94V-0 . BLACK		5	POLYESTER	CLEAR	
				4	PS	CLEAR	
				3	STAINLESS	WHOLE AREA : Sn PLATING 1 μm min UNDER PLATING : Ni 0.2 μm min	

UNITS	SCALE	COUNT	DESCRIPTION OF REVISIONS	DESIGNED	CHECKED	DATE
mm	FREE	△				
APPROVED : TS. SAKATA			12.06.12	DRAWING NO. EDC3-344841-01		
CHECKED : HS. OZAWA			12.06.12	PART NO. DF56-30P-0.3SD(51)		
DESIGNED : TP. MATSUMOTO			12.06.12	CODE NO. CL662-5617-3-51		
DRAWN : TP. MATSUMOTO			12.06.12	△ 1/2		

Apr.1.2023 Copyright 2023 HIROSE ELECTRIC CO., LTD. All Rights Reserved.
 In case of consideration for using Automotive equipment / device which demand high reliability, kindly contact our sales window correspondents.



STYLE AND DIMENSION OF REEL (FREE)



DETAIL OF PART No. LABEL

生産月日	年月日
☒番	CL662-5617-3-51
品名	DF56-30P-0.3SD(51)
納入数量	10000個
納入者	ヒロセ電機株式会社

- SUPPLIER
- QUANTITY
- PART No.
- CODE No.
- DATE OF MANUFACTURED

HRS	DRAWING NO.	EDC3-344841-01
	PART NO.	DF56-30P-0.3SD(51)
	CODE NO.	CL662-5617-3-51
		△ 2/2

Mar. 1. 2023 Copyright 2023 HIROSE ELECTRIC CO., LTD. All Rights Reserved.
In case of consideration for using Automotive equipment / device which demand high reliability, kindly contact our sales window correspondents.

APPLICABLE STANDARD						
RATING	OPERATING TEMPERATURE RANGE	-35°C TO +85°C(NOTES 1)	STORAGE TEMPERATURE RANGE	-10°C TO +60°C(NOTES 3)		
	OPERATING HUMIDITY RANGE	20% TO 80%(NOTES 2)	STORAGE HUMIDITY RANGE	40% TO 70%(NOTES 2)(NOTES 3)		
	VOLTAGE	30V AC	APPLICABLE CONNECTOR	DF56※-30S-0.3V(##)		
	CURRENT	AWG#42:0.2A AWG#44:0.15A (NOTES 4) AWG#46:0.1A	APPLICABLE CABLE	THIN COAXIAL CABLE (AWG#42~AWG#46)		
SPECIFICATIONS						
ITEM	TEST METHOD		REQUIREMENTS		QT	AT
CONSTRUCTION						
GENERAL EXAMINATION	VISUALLY AND BY MEASURING INSTRUMENT.		ACCORDING TO DRAWING.		X	X
MARKING	CONFIRMED VISUALLY.				X	X
ELECTRIC CHARACTERISTICS						
CONTACT RESISTANCE	100m A (DC OR 1000 Hz).		CONTACT:80mΩ MAX. SHIELDING:80mΩ MAX.		X	—
INSULATION RESISTANCE	100V DC.		50MΩ MIN.		X	—
VOLTAGE PROOF	100V AC FOR 1 min.		NO FLASHOVER OR BREAKDOWN.		X	—
MECHANICAL CHARACTERISTICS						
MECHANICAL OPERATION	20TIMES INSERTIONS AND EXTRACTIONS.		① CONTACT RESISTANCE: NO VARIATION OF 50 mΩ OR MORE FROM INITIAL VALUE. SHIELDING RESISTANCE: NO VARIATION OF 50 mΩ OR MORE FROM INITIAL VALUE. ② NO DAMAGE, CRACK OR LOOSENESS OF PARTS.		X	—
VIBRATION	FREQUENCY 10 TO 55 Hz, SINGLE AMPLITUDE 0.75 mm, 3 DIRECTIONS × 10 CYCLE.		① NO ELECTRICAL DISCONTINUITY OF 1 μs. ② NO DAMAGE, CRACK OR LOOSENESS OF PARTS.		X	—
SHOCK	490 m/s ² DURATION OF PULSE 11 ms AT 3 TIMES FOR 3 DIRECTIONS.				X	—
ENVIRONMENTAL CHARACTERISTICS						
RAPID CHANGE OF TEMPERATURE	TEMPERATURE -55 →+85 °C TIME 30 → 30 min UNDER 5 CYCLES. (THE TRANSFERRING TIME OF THE CHAMBER IS 2-3 MINUTE.)		① CONTACT RESISTANCE: NO VARIATION OF 50 mΩ OR MORE FROM INITIAL VALUE. SHIELDING RESISTANCE: NO VARIATION OF 50 mΩ OR MORE FROM INITIAL VALUE.		X	—
DAMP HEAT (STEADY STATE)	EXPOSED AT 40 ± 2 °C, 90 TO 95 %, 96 h.		① CONTACT RESISTANCE: NO VARIATION OF 50 mΩ OR MORE FROM INITIAL VALUE. SHIELDING RESISTANCE: NO VARIATION OF 50 mΩ OR MORE FROM INITIAL VALUE. ② INSULATION RESISTANCE: 25 MΩ MIN. ③ NO DAMAGE, CRACK OR LOOSENESS OF PARTS.		X	—
SULFUR DIOXIDE GAS	EXPOSED IN 10-15 PPM 96h.		NO DEFECT SUCH AS CORROSION WHICH IMPAIRS THE FUNCTION OF CONNECTOR.		X	—
RESISTANCE TO SOLDERING HEAT	① BONDING TEMPERATURE: 270°C MAX :5 sec MAX 200°C MIN :30 sec MAX ② MANUAL SOLDERING TEMPERATURE: 350°C, 3sec MAX.		NO DEFORMATION OF CASE OF EXCESSIVE LOOSENESS OF THE TERMINALS.		X	—
SOLDERABILITY	SOLDERED AT SOLDER TEMPERATURE, 245°C FOR INSERTION DURATION, 5 sec. (Sn-3.0Ag-0.5Cu)		SOLDER SHALL COVER A MINIMUM OF 95 % OF THE SURFACE BEING IMMersed.		X	—
	COUNT	DESCRIPTION OF REVISIONS	DESIGNED	CHECKED	DATE	
△						
REMARKS			APPROVED	TS. SAKATA	12. 06. 12	
NOTE1: INCLUDE THE TEMPERATURE RISING BY CURRENT			DRAWING NO.	ELC4-344841-01		
NOTE2: NON CONDENSING						
NOTE3: THE TERM "STORAGE" REFERS TO PRODUCTS STORED FOR A LONG PERIOD PRIOR TO MOUNTING AND USE. THE OPERATING TEMPERATURE AND HUMIDITY RANGE COVERS THE NON-CONDUCTING CONDITION OF CONNECTORS AFTER BOARD MOUNTING AND THE TEMPORARY STORAGE CONDITIONS OF TRANSPORTATION, etc						
NOTE4: TEMPERATURE RISE OF CONNECTOR BODY ONLY, AND THAT OF CASE IS NOT INCLUDED. Unless otherwise specified, refer to JIS C 5402, IEC60512.						
Note QT:Qualification Test AT:Assurance Test X:Applicable Test						
HRS	SPECIFICATION SHEET		PART NO.	DF56-30P-0. 3SD (51)		
	HIROSE ELECTRIC CO., LTD.		CODE NO.	CL662-5617-3-51	△	1/1

X-ON Electronics

Largest Supplier of Electrical and Electronic Components

Click to view similar products for [FFC & FPC Connectors](#) category:

Click to view products by [Lian Xin](#) manufacturer:

Other Similar products are found below :

[00-6200-227-022-800](#) [006205250500825+](#) [006205280500825+](#) [FPH-1602G](#) [086222026001800](#) [52610-0675](#) [62674-201121DLF](#) [52746-1671-TR250](#) [10051922-1610EHLF](#) [10051922-2810EHLF](#) [686322124422](#) [XF3M-2915-1B-R100](#) [AYF353125A](#) [AYF530665TA](#) [AYF534065TA](#) [20FLH-RSM1-TB](#) [PCA-7F-25-HL-3-G](#) [207356-1](#) [52807-0430](#) [FFC05011-10SBB114W5M](#) [502250-8027](#) [FH28K-40S-0.5SH](#) [200528-0260](#) [FH28K-10S-0.5SH](#) [501951-1250](#) [X05B20U43T](#) [0.5K-DX-30PWB](#) [DS1020-08-10VBT12](#) [THD0515-34CL-GF](#) [X05A10L28G](#) [ECC2841061EU](#) [20539-030E-01](#) [1.0K-DHQX-16PWB](#) [1.0K-DHQX-30PWB](#) [1775333-6](#) [10054365-202110ELF](#) [10054365-242110ELF](#) [10054365-282110ELF](#) [10064555-392220HLF](#) [59453-041110EBHLF](#) [59453-091110EDHLF](#) [62674-241141ALF](#) [62684-432100ALF](#) [62684-451100AHLF](#) [62684-5721N0ALF](#) [HFW11R-1STE1MTLF](#) [HFW12R-1STE9LF](#) [HFW14R-1STE9MTLF](#) [HFW18S-2STE9LF](#) [HFW20R-1STAE1HLF](#)