

REV.	ECN NO.	DESCRIPTION	DRWN	APPD	DATE

A

B

C

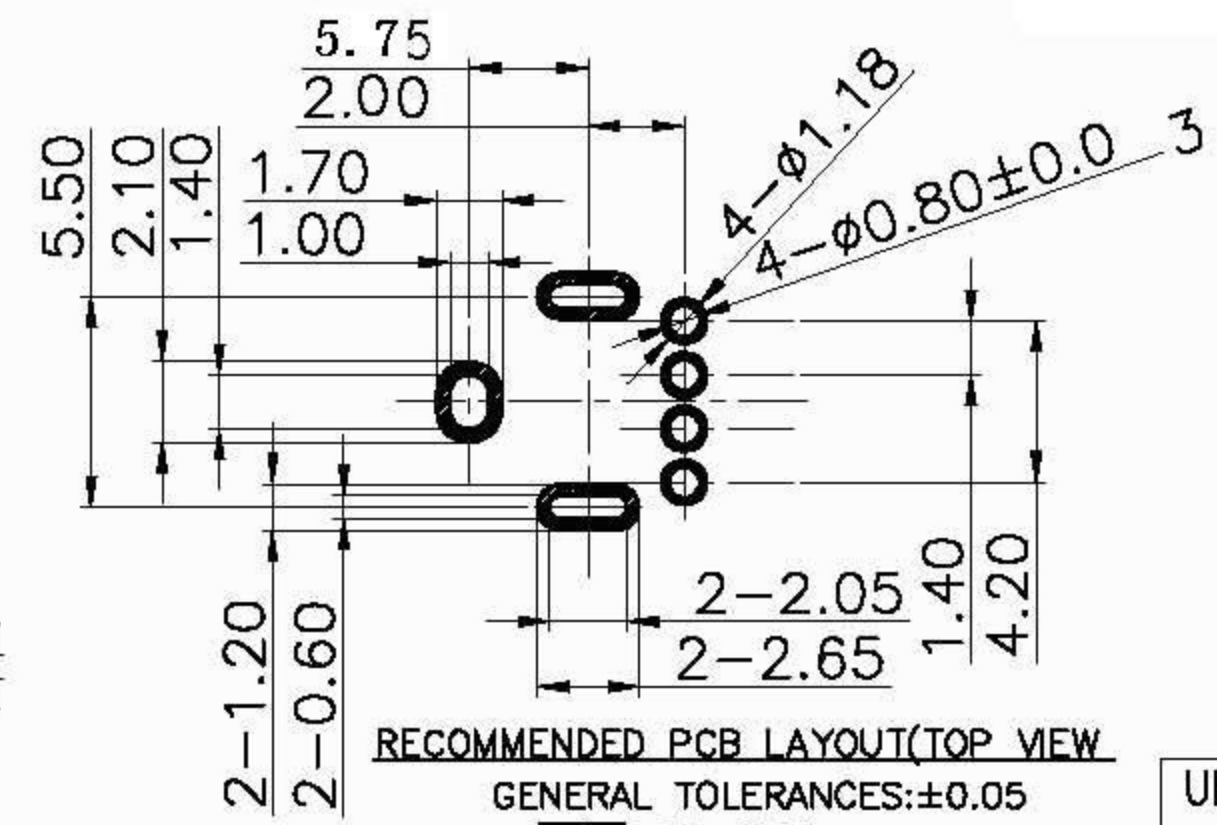
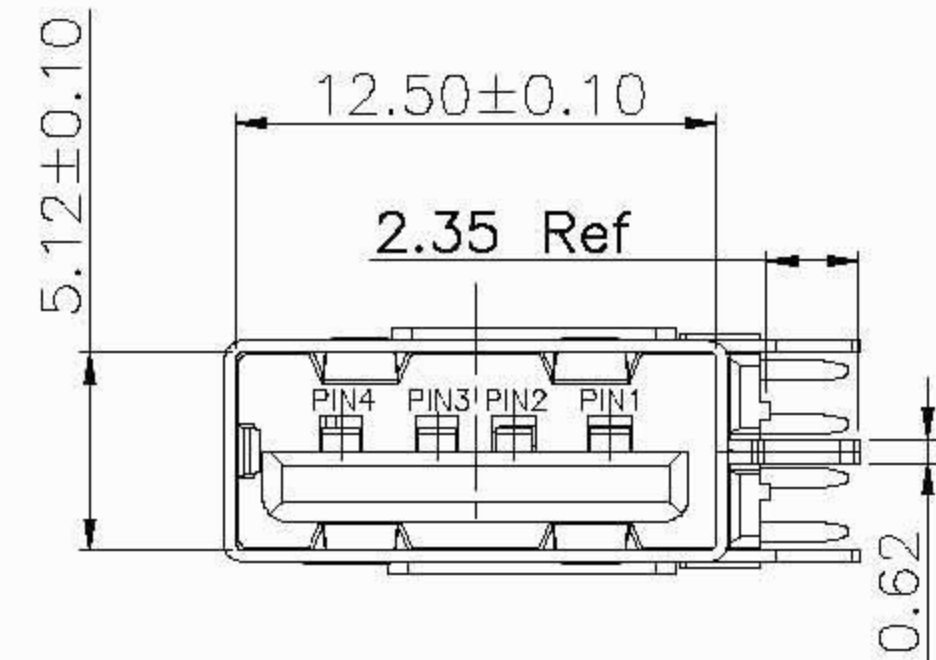
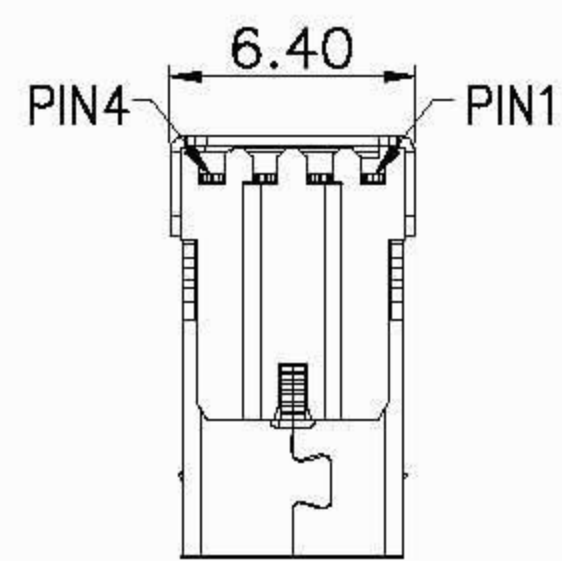
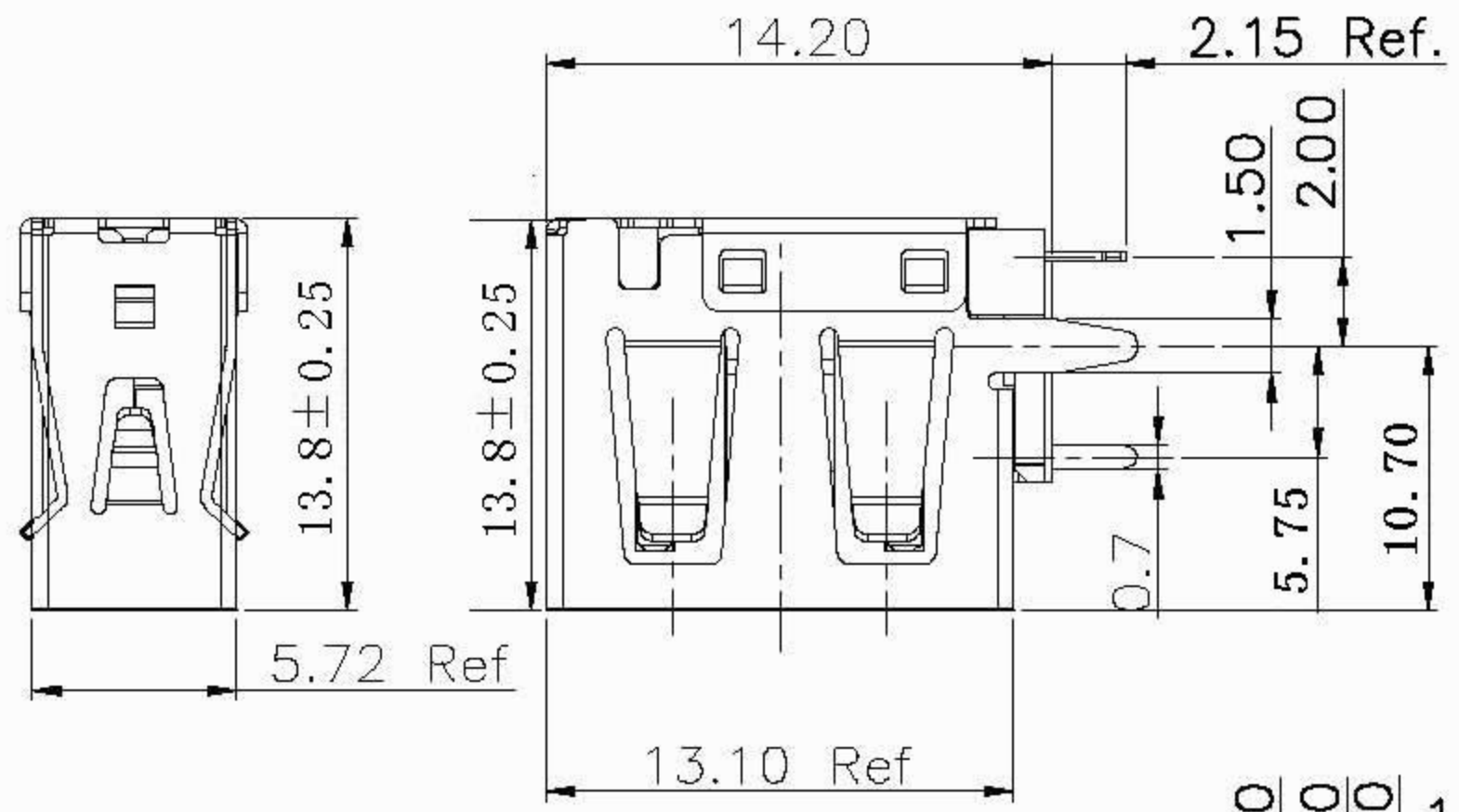
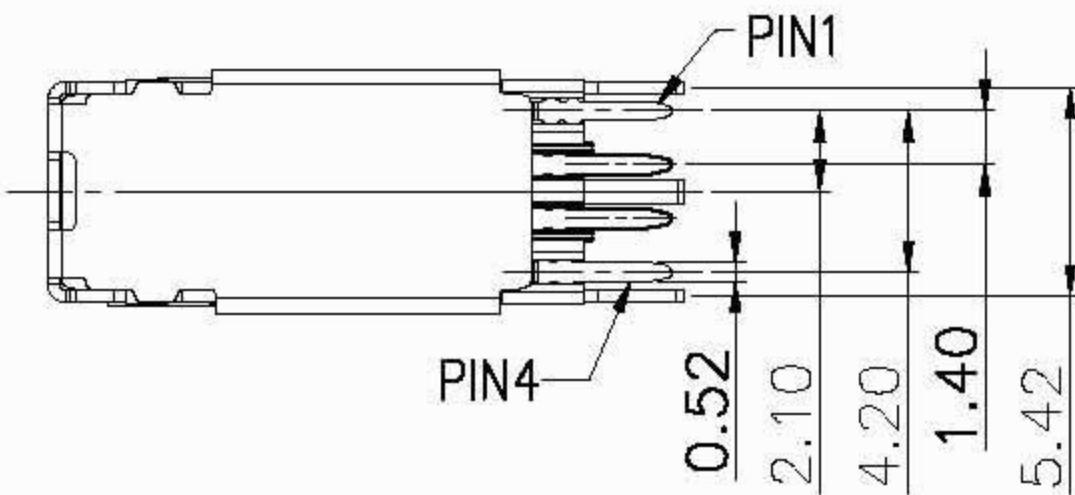
D

A

B

C

D



RECOMMENDED PCB LAYOUT(TOP VIEW)
 GENERAL TOLERANCES:±0.05
 FAI A&FA

NOTE:

- Material:
 Housing: Thermoplastics,UL94V-0;(Halogen free),Color: White
 Contact: Copper Alloy T=0.25mm
 Shell: Copper Alloy T=0.30mm
- FINISH:
 Contact: Au 30u" Plated on Contact Area,
 80u" Min.Matte Tin Plated on Solder Tails Area,
 50u" Min.Nickel Underplating Over All.
 Shell: 50u" Min.Nickel Underplating Over All.
- Specification:
 3.1: Rated current: 1.5 A
 Insulation Resistance:
 1000MΩ Min. at 500V/DC for 1Minute.
 Withstanding voltage: 500 VAC/minute
 Contact Resistance: 30 m ohms Max.
 3.2: MECHANICAL
 Mating force: 35N(3.57kgf) Max.
 Unmating force(Without lock):10N(1.02kgf) Min
 Durability: 3000 cycles Min.
 Contact retention force: 4.2N(0.43kgf) Min.
- MARK "⊗" "DIM. Must Controlled by FAI
 Mark "■" "DIM. Must Controlled by QIP
- Customer P/N: 76310040056-H00

UNITS: mm	SCALE:	REV.:	SHEET:	L&X 深圳市连欣科技有限公司 TEL: 0755-33978030 FAX: 0755-32937438	
DATE:					
GENERAL TOLERANCE: 0. ±0.38 0.0 ±0.25 0.00 ±0.10 0.' ±3' 0.0' ±2'				TITLE: USB AF 短体侧插13.8长 带后盖无卷边	
DR.:		MATERIAL:		FINISH:	
CHK.:		DWG. NO.:		PART NO.:	
APPD.:		DWG0410-09A		XBDF-0524-09	
SIZE: A4					

X-ON Electronics

Largest Supplier of Electrical and Electronic Components

Click to view similar products for [USB Connectors](#) category:

Click to view products by [Lian Xin](#) manufacturer:

Other Similar products are found below :

[950](#) [MUSBD11135](#) [17-200721](#) [217450-1](#) [KMBVX-TH-5S-B30](#) [KUSBX-AS2N-W](#) [KUSBX-SMT2AP1S-W30](#) [935](#) [957](#) [30-498-6](#) [SK-60A-2](#)
[1734082-1](#) [30-470](#) [30-489](#) [30-541](#) [A-USB A-2P-C](#) [MIKROE-1451](#) [USBFTVSCCG](#) [1-1734084-2](#) [10135326-001LF](#) [4198](#) [USB-A-D-VT](#)
[USB-A-S-RA-TSMT](#) [1310-1023-02](#) [690-024-633-031](#) [UB-20PMFP-LC7001](#) [17-200011](#) [UB-20AFMM-LL7A01](#) [1040870124](#) [CAP-](#)
[WCCMLPB1](#) [CAP-WCCMLPC1](#) [2274475-3](#) [UB-20BMFA-SL8001](#) [914-614A2025S10200](#) [USB3FTV7SAGF059](#) [ZX40-B-5S-1500-](#)
[STDA\(30\)](#) [GSB3116344HR](#) [USB3FTV2SAZNF459](#) [USB3FTV7SAZNF459](#) [U221-041N-1WVS62-F5D](#) [HYCW153-USBD05-500B](#)
[HYCW219-USBD05-075B](#) [HYCW148-USBD05-117B](#) [HYCW149-USBD05-740B](#) [HYCW204-USBD05-108B](#) [HYCW214-USBA04-113B](#)
[HYCW213-USBA04-113B](#) [UB-20AMFM-SL7A01](#) [KMMX-BSMT35S-1-B30TR](#) [2345986-1](#)