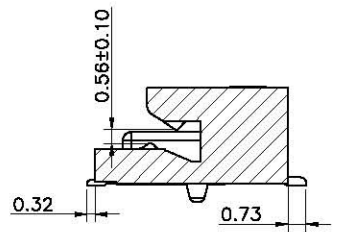
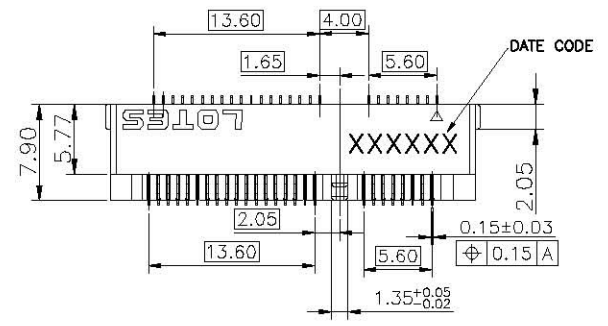
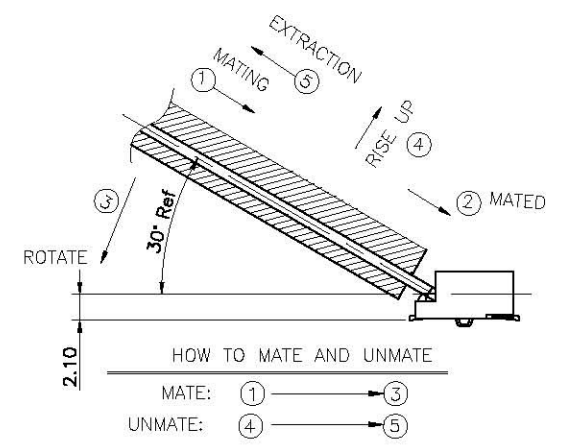


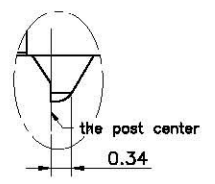
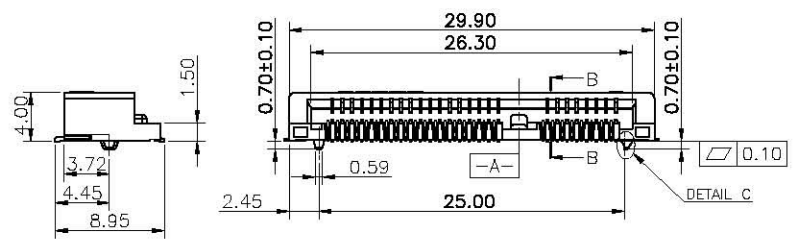
REV.	ECR/N NO./DESCRIPTION	DATE	DRAWN	CHECKED	APPROVE
9I	SR13***	05/22'13	Lxh	Vito	Barney
9J	SR13***	07/15'13	Lxh	Vito	Barney
9K	SR13***	09/13'13	Lxh	Vito	Barney



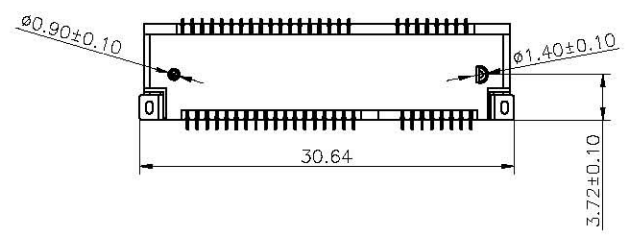
SECTION B-B
SCALE 2:1



HOW TO MATE AND UNMATE
 MATE: ① → ③
 UNMATE: ④ → ⑤



DETAIL C
SCALE 5:1



GENERAL TOLERANCES UNLESS SPECIFIED		PART NO. XDAP-0528-049	深圳市连欣科技有限公司		
X ± 0.35	X° ± 3°		TEI: 0755-36610035 FAX: 0755-36610036		
XX ± 0.25	X° ± 2°	APPROVED BY Barney	TITLE MINI PCI EXPRESS 4.0H 0.8PITCH 52P		
XXX ± 0.15	XX° ± 1°	CHECKED BY Raymond	DWG NO. AP-AAA-PCI-049		
CUSTOMER DRAWING		DRAWN BY XU	SHEET 1 / 6	SCALE 5 : 3	REV 9K
SIZE A4	UNITS MM [INCH]				

1 2 3 4 5 6 7 8

F

F

NOTES:

1.MATERIAL:

- 1).HOUSING: LCP BLACK OR WHITE UL94V-0.
- 2).CONTACT: BRASS.
- 3).PADS: BRASS .

2.FINISH:

2.1 CONTACTS:

- 1).50u"MIN Ni UNDER PLATED OVER ALL.
- 2).Au PLATING ON CONTACT AREA (SEE TABLE), AND ON SOLDER AREA

2.2 PADS:

- 1).60u"MIN Ni UNDER PLATED OVER ALL.
- 2).MATTE-Tin 100u"MIN ON SOLDER AREA.

3.MECHANICAL PERFORMANCE,

DURABILITY:50 CYCLES

MATING & UNMATING FORCE: 2.3 Kgf MAX.

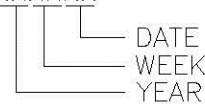
4.ELECTRICAL PERFORMANCE,

- 4-1.VOLTAGE RATING: 50 V AC PER CONTACT.
CURRENT RATING: 0.5 A.
- 4-2.LLCR:INITIAL 55mΩ MAX PER CONTACT..
FINAL 20mΩ MAX
- 4-3.INSULATION RESISTANCE:
500MΩ MIN
- 4-4.DIELECTRIC WITHSTAND VOLTAGE:
AC 300V FOR 1 MINUTE BETWEEN ADJACENT CONTACTS.
NO BREAKDOWN OR FLASH.
CURRENT LEAKAGE:1mA.

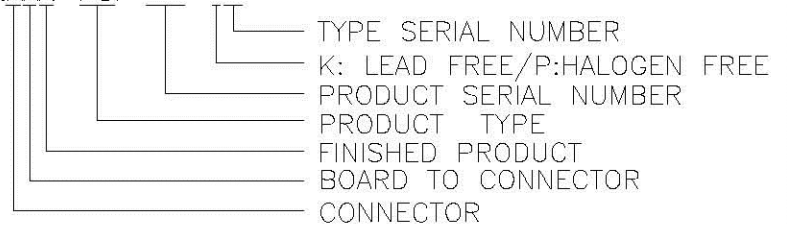
5. IR REFLOW:

THE PEAK TEMPRATURE ON THE BOARD SHALL BE MAINTAINED FOR 10 SECONDS AT 250°C±10°C AND REFLOW TEMP:230°C 30~45 SECONDS.

6. DC: XXXXXX



7. PRODUCT NO:AAA-PCI-***-***



D

D

C

C

B

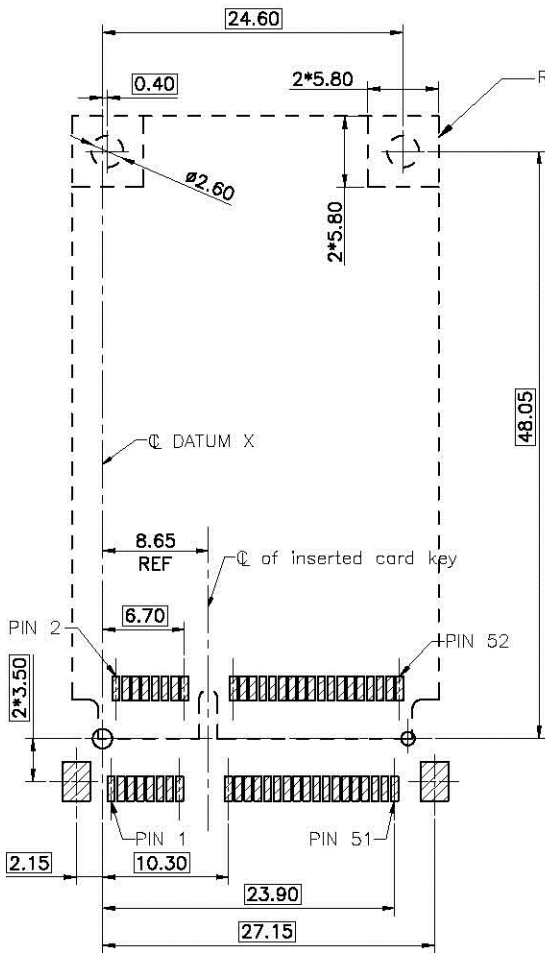
B

A

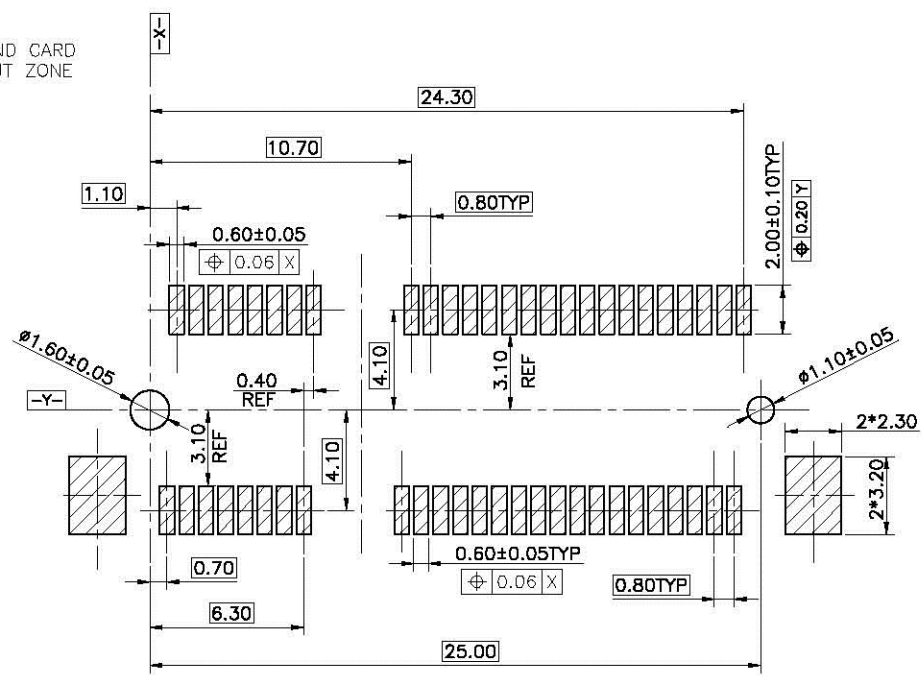
A

GENERAL TOLERANCES UNLESS SPECIFIED		PART NO.	深圳市连欣科技有限公司			
X±0.35	X°±3°	XDAP-0528-049	TEI: 0755-36610035 FAX: 0755-36610036			
XX±0.25	X°±2°	APPROVED BY	TITLE			
XXX±0.15	XX°±1°	Bamey	MINI PCIEXPRESS 4.0H 0.8PITCH 52P			
CUSTOMER DRAWING		CHECKED BY	DWG NO.			
		Raymond	AP-AAA-PCI-049			
SIZE	UNITS	DRAWN BY		SHEET	SCALE	REV
A4	MM[INCH]	XU		2 / 6	5 : 2	9K

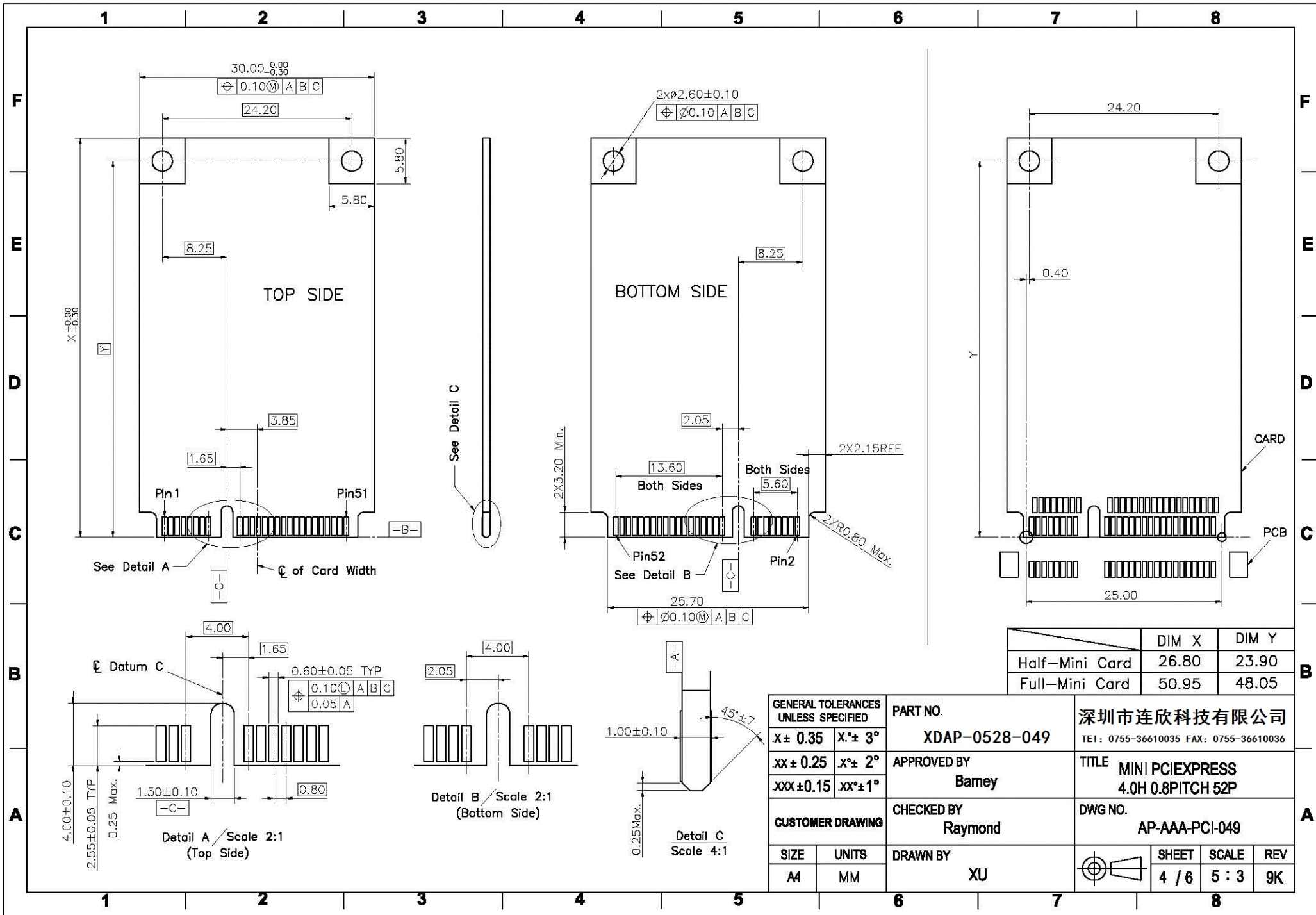
1 2 3 4 5 6 7 8



RECOMMEND CARD
KEEP OUT ZONE

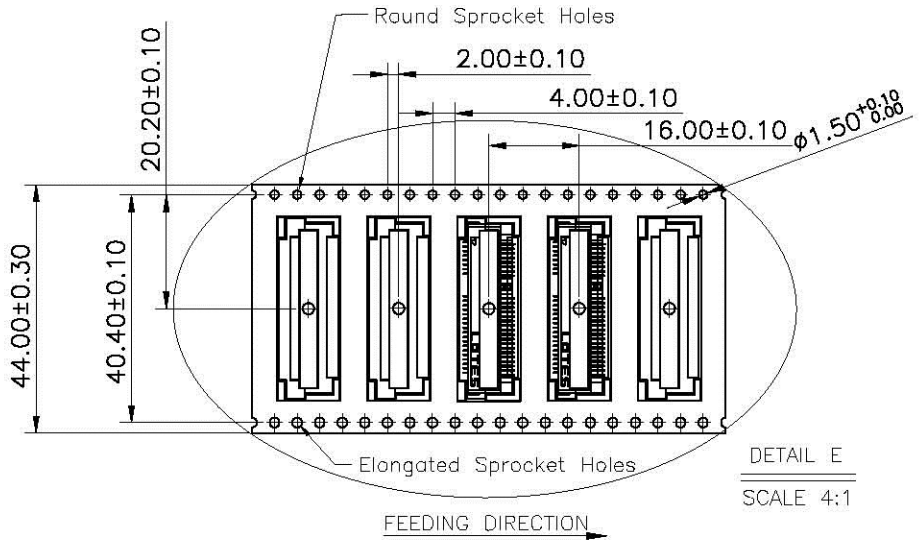
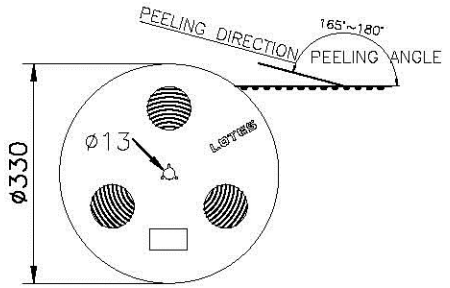
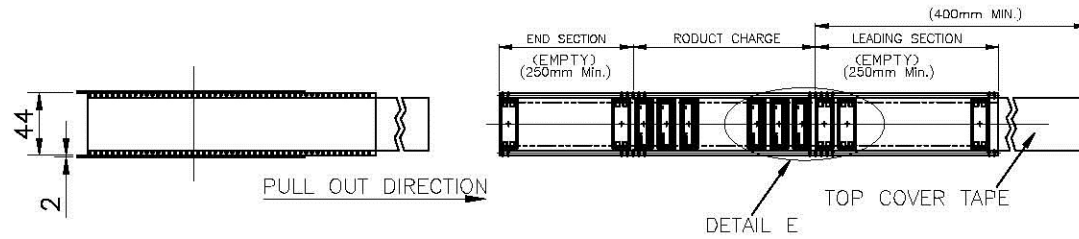


GENERAL TOLERANCES UNLESS SPECIFIED		PART NO.	深圳市连欣科技有限公司			
X ± 0.35	X° ± 3°	XDAP-0528-049	TEI: 0755-36610035 FAX: 0755-36610036			
XX ± 0.25	X° ± 2°	APPROVED BY	TITLE MINI PCI EXPRESS			
XXX ± 0.15	XX° ± 1°	Barney	4.0H 0.8PITCH 52P			
CUSTOMER DRAWING		CHECKED BY	DWG NO.			
		Raymond	AP-AAA-PCI-049			
SIZE	UNITS	DRAWN BY		SHEET	SCALE	REV
A4	MM [INCH]	XU		3 / 6	5 : 3	9K



	DIM X	DIM Y
Half-Mini Card	26.80	23.90
Full-Mini Card	50.95	48.05

GENERAL TOLERANCES UNLESS SPECIFIED		PART NO. XDAP-0528-049	深圳市连欣科技有限公司 TEI: 0755-36610035 FAX: 0755-36610036			
X ± 0.35	X° ± 3°				APPROVED BY	TITLE
XX ± 0.25	X° ± 2°				Barney	MINI PCI EXPRESS 4.0H 0.8PITCH 52P
XXX ± 0.15	.XX° ± 1°	CHECKED BY	DWG NO.			
CUSTOMER DRAWING		Raymond	AP-AAA-PCI-049			
SIZE	UNITS	DRAWN BY	SHEET	SCALE	REV	
A4	MM	XU	4 / 6	5 : 3	9K	

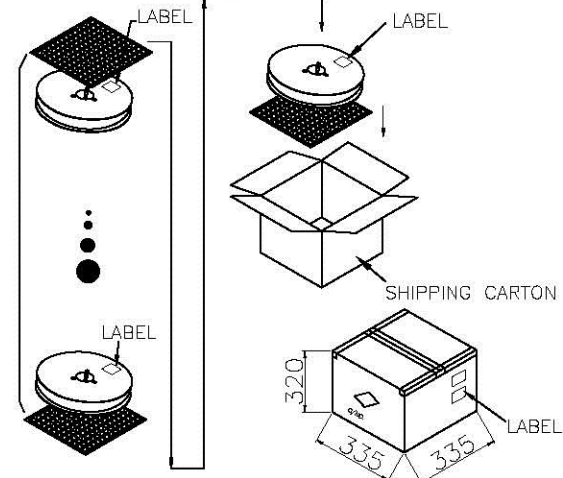


DETAIL E
SCALE 4:1

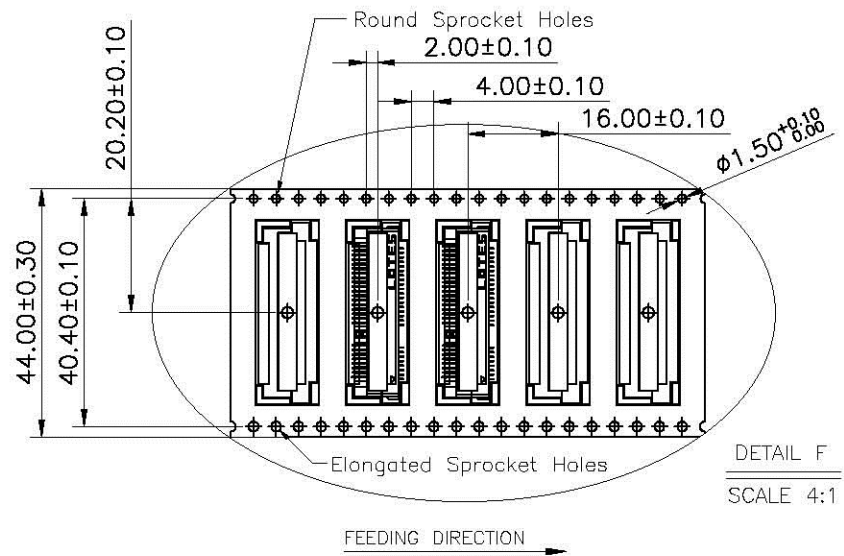
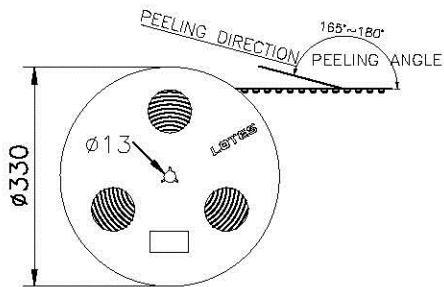
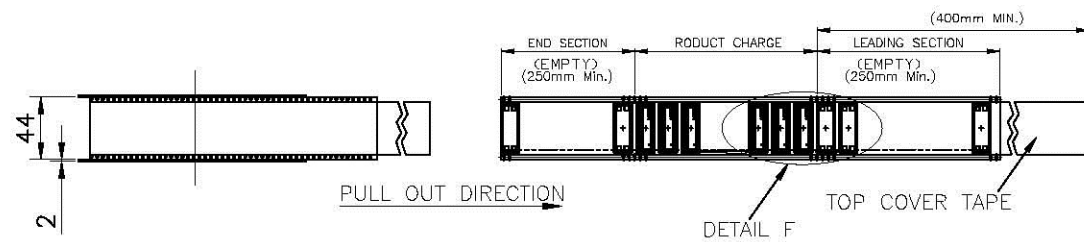
AAA-PCI-049-K06/P07/P08/P06/K01/P01

NOTES:

1. MATERIAL :
 - 1.1 CARRY TAPE: PS
 - 1.2 COVER TAPE: PET
 - 1.3 SHIPPING CARTON: CORRUGATED FIBER
2. DIMENSION :
 - 2.1 REEL: W=44.5, $\phi A=330$
 - 2.2 SHIPPING CARTON: L=335, W=335, H=300 (INNER)
3. QUANTITY :
 - 3.1 PRIMARY PACKING: 700 PCS/REEL
 - 3.2 SECONDARY PACKING: 6 REELS/CARTON(4200PCS)
4. WEIGHT :
 - 4.1 NET WEIGHT:4.956Kg/CARTON.
 - 4.2 GROSS WEIGUT:8.892Kg/CARTON.
5. PEELING RESISTANCE: 20gf~120gf.
6. PEELING SPEED: 300mm/minutes.



GENERAL TOLERANCES UNLESS SPECIFIED		PART NO. XDAP-0528-049	深圳市连欣科技有限公司			
X± 0.35	X°± 3°		TEL: 0755-36610035 FAX: 0755-36610036			
XX± 0.25	X°± 2°	APPROVED BY Barney	TITLE MINI PCIEXPRESS 4.0H 0.8PITCH 52P			
XXX± 0.15	XX°± 1°	CHECKED BY Raymond	DWG NO. AP-AAA-PCI-049			
CUSTOMER DRAWING		DRAWN BY XU		SHEET	SCALE	REV
SIZE A4	UNITS MM[INCH]			5 / 6	N/A	9K

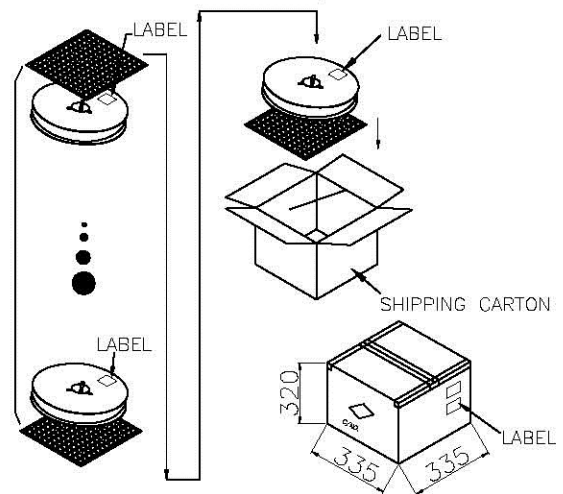


AAA-PCI-049-K01_A/P06_A/P01_A

DETAIL F
SCALE 4:1

NOTES:

1. MATERIAL :
 - 1.1 CARRY TAPE: PS
 - 1.2 COVER TAPE: PET
 - 1.3 SHIPPING CARTON: CORRUGATED FIBER
2. DIMENSION :
 - 2.1 REEL: W=44.5, φA=330
 - 2.2 SHIPPING CARTON: L=335, W=335, H=300 (INNER)
3. QUANTITY :
 - 3.1 PRIMARY PACKING: 700 PCS/REEL
 - 3.2 SECONDARY PACKING: 6 REELS/CARTON(4200PCS)
4. WEIGHT :
 - 4.1 NET WEIGHT:4.956Kg/CARTON.
 - 4.2 GROSS WEIGUT:8.892Kg/CARTON.
5. PEELING RESISTANCE: 20gf~120gf.
6. PEELING SPEED: 300mm/minutes.



GENERAL TOLERANCES UNLESS SPECIFIED		PART NO. XDAP-0528-049	深圳市连欣科技有限公司		
X± 0.35	X°± 3°		TEL: 0755-36610035 FAX: 0755-36610036		
XX± 0.25	X°± 2°	APPROVED BY Barney	TITLE MINI PCIEXPRESS 4.0H 0.8PITCH 52P		
XXX±0.15	.XX°±1°	CHECKED BY Raymond	DWG NO. AP-AAA-PCI-049		
CUSTOMER DRAWING		DRAWN BY XU	SHEET 6 / 6	SCALE N/A	REV 9K
SIZE A4	UNITS MM[INCH]				

X-ON Electronics

Largest Supplier of Electrical and Electronic Components

Click to view similar products for [Standard Card Edge Connectors](#) category:

Click to view products by [Lian Xin](#) manufacturer:

Other Similar products are found below :

[CR7E-30DB-3.96E\(72\)](#) [6565204-6](#) [1437274-4](#) [1-582587-1](#) [284-0102-12100](#) [286-0052-12101A](#) [306022901000000](#) [A6D22DS29C2](#) [1926088-2](#) [245-062-520-350](#) [287-0032-12101](#) [306-028-525-102](#) [307-072-526-202](#) [330-030-500-278](#) [345-060-559-303](#) [534671-1](#) [341-240-317](#) [345-044-500-300](#) [346-240-318](#) [C7D10DS29C1M133](#) [395-100-524-300](#) [09-07-2032](#) [10035388-802LF](#) [10115859-011LF](#) [10122859-009LF](#) [101269333204245CLF](#) [530555-1](#) [66925-516LF](#) [5145409-2](#) [73726-0005](#) [66308-1](#) [EBC05DRXN](#) [KSLX-62-BR](#) [CE100F26-7-C](#) [CE100F28-3-D](#) [CE100F28-4-D](#) [CE156F22-9-C](#) [CT100F24-3-D](#) [CT100F24-6-C](#) [MLSS100-12-C](#) [SCC100F-11-C](#) [SCC100F-20-C](#) [SCC100F-24-C](#) [SCC100F-25-C](#) [3-530656](#) [2512250177](#) [285-0112-12300](#) [346-068-556-300](#) [284-0492-11000](#) [287-0032-12301](#)