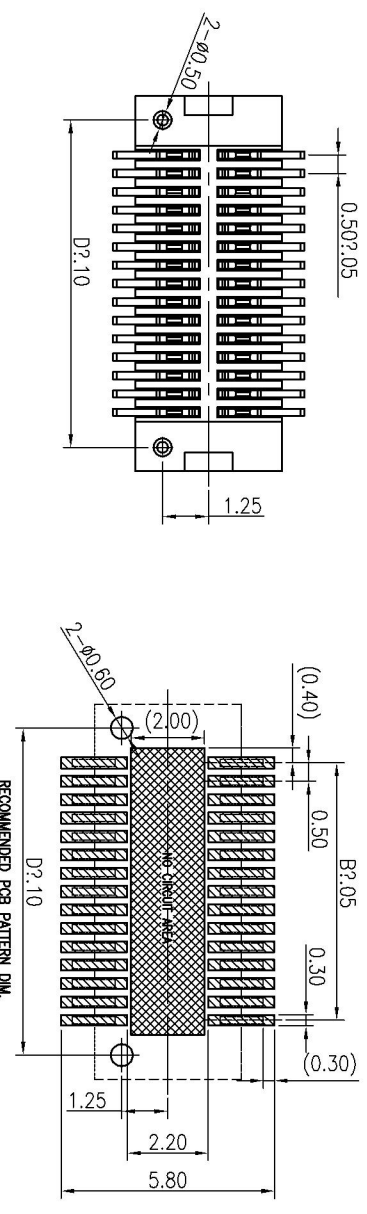
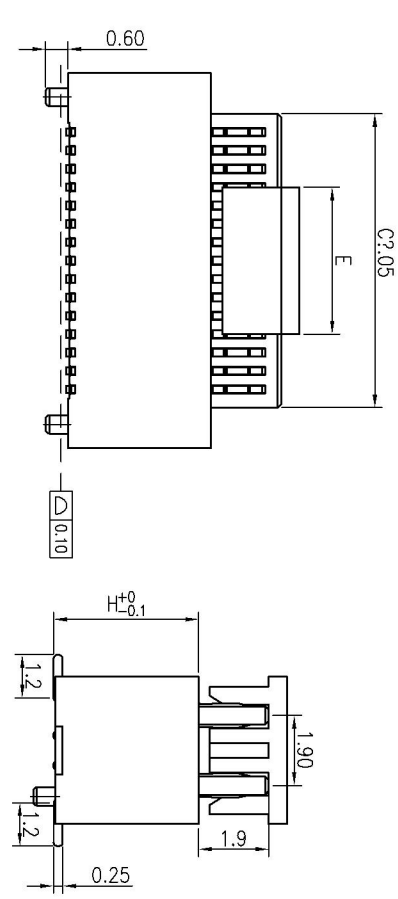


3D VIEW



NOTES:

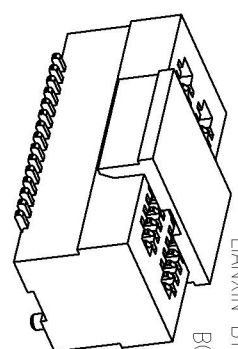
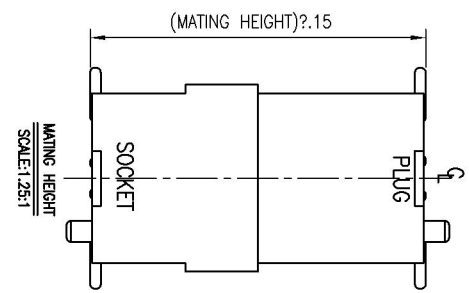
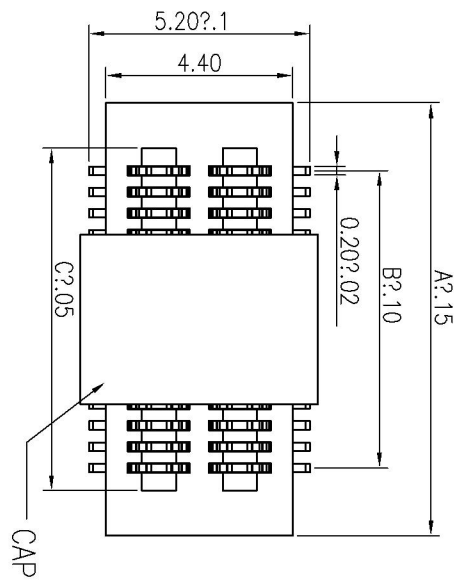
- 1.HUOSING: PA9T HIGH-TEMP THERMOPLASTIC U94V-0 COLOR:BLACK
 - 2.TERMINAL:PHOSPHOR BRONZE
PLATING:14" GOLD FLASH OVERALL 50~100μ" NICKEL UNDER PLATED.
 - 3.CODING INFORMATION: XDBM-05**~2*N P
- LIANKIN BTB CONNECTOR SERIES
BOARD TO BOARD MALE
0.5" SPACING
- MATING HEIGHT
PIN
70 height
75 height
80 height
85 height

| MATING HEIGHT (H) | PLUG (H) | SOCKET (H) | NO. of contacts | Dimensions | | | | NO. of contacts | Dimensions | | | |
|-------------------|----------|------------|-----------------|------------|-------|-------|-------|-----------------|------------|-------|-------|---|
| | | | | A | B | C | D | | A | B | C | D |
| 7.0 | | 3.0 | 370 | 0.50 | 1.50 | 2.40 | 2*27 | 16.20 | 13.00 | 14.00 | 14.90 | |
| 7.5 | | 3.5 | 420 | 1.00 | 2.00 | 2.90 | 2*28 | 16.70 | 13.50 | 14.50 | 15.40 | |
| 8.0 | 4.0 | 4.0 | 2*4 | 4.70 | 1.50 | 2.50 | 3.40 | 2*29 | 17.20 | 14.00 | 15.90 | |
| 8.5 | | 4.5 | 2*5 | 5.20 | 2.00 | 3.00 | 3.90 | 2*30 | 17.70 | 14.50 | 16.40 | |
| | | | 2*6 | 5.70 | 2.50 | 3.50 | 4.40 | 2*31 | 18.20 | 15.00 | 16.90 | |
| | | | 2*7 | 6.20 | 3.00 | 4.00 | 4.90 | 2*32 | 18.70 | 15.50 | 17.40 | |
| | | | 2*8 | 6.70 | 3.50 | 4.50 | 5.40 | 2*33 | 19.20 | 16.00 | 17.90 | |
| | | | 2*9 | 7.20 | 4.00 | 5.00 | 5.90 | 2*34 | 19.70 | 16.50 | 18.40 | |
| | | | 2*10 | 7.70 | 4.50 | 5.50 | 6.40 | 2*35 | 20.20 | 17.00 | 18.90 | |
| | | | 2*11 | 8.20 | 5.00 | 6.00 | 6.90 | 2*36 | 20.70 | 17.50 | 19.40 | |
| | | | 2*12 | 8.70 | 5.50 | 6.50 | 7.40 | 2*37 | 21.20 | 18.00 | 19.90 | |
| | | | 2*13 | 9.20 | 6.00 | 7.00 | 7.90 | 2*38 | 21.70 | 18.50 | 20.40 | |
| | | | 2*14 | 9.70 | 6.50 | 7.50 | 8.40 | 2*39 | 22.20 | 19.00 | 20.90 | |
| | | | 2*15 | 10.20 | 7.00 | 8.00 | 8.90 | 2*40 | 22.70 | 19.50 | 21.40 | |
| | | | 2*16 | 10.70 | 7.50 | 8.50 | 9.40 | 2*41 | 23.20 | 20.00 | 21.90 | |
| | | | 2*17 | 11.20 | 8.00 | 9.00 | 9.90 | 2*42 | 23.70 | 20.50 | 22.40 | |
| | | | 2*18 | 11.70 | 8.50 | 9.50 | 10.40 | 2*43 | 24.20 | 21.00 | 22.90 | |
| | | | 2*19 | 12.20 | 9.00 | 10.00 | 10.90 | 2*44 | 24.70 | 21.50 | 23.40 | |
| | | | 2*20 | 12.70 | 9.50 | 10.50 | 11.40 | 2*45 | 25.20 | 22.00 | 23.90 | |
| | | | 2*21 | 13.20 | 10.00 | 11.00 | 11.90 | 2*46 | 25.70 | 22.50 | 24.40 | |
| | | | 2*22 | 13.70 | 10.50 | 11.50 | 12.40 | 2*47 | 26.20 | 23.00 | 24.90 | |
| | | | 2*23 | 14.20 | 11.00 | 12.00 | 12.90 | 2*48 | 26.70 | 23.50 | 25.40 | |
| | | | 2*24 | 14.70 | 11.50 | 12.50 | 13.40 | 2*49 | 27.20 | 24.00 | 25.90 | |
| | | | 2*25 | 15.20 | 12.00 | 13.00 | 13.90 | 2*50 | 27.70 | 24.50 | 26.40 | |
| | | | 2*26 | 15.70 | 12.50 | 13.50 | 14.40 | | | | | |

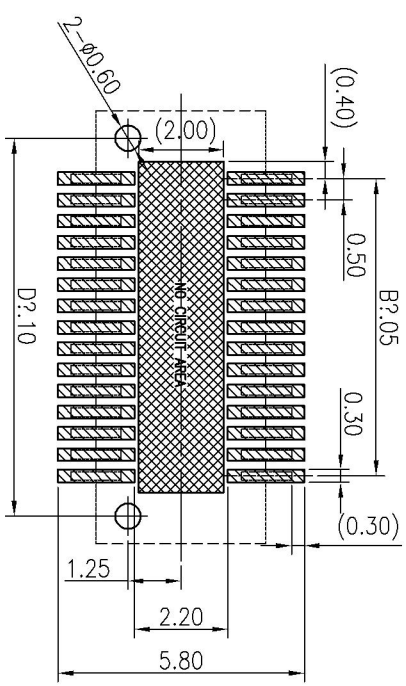
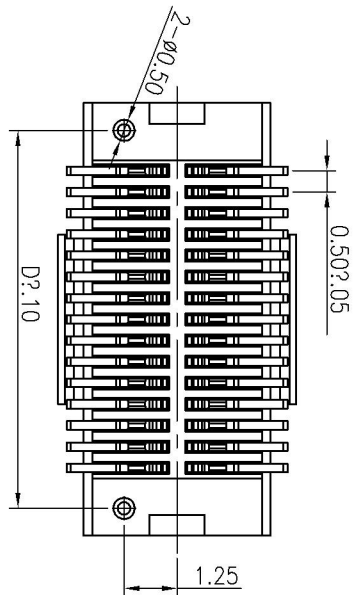
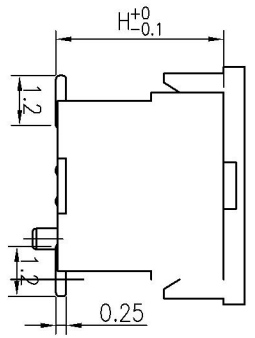
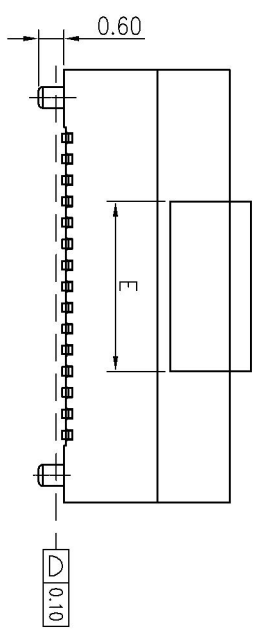
深圳市连欣科技有限公司

品名(TITLE): 0.5mm 双槽BTB PLUG

| | | | | | | |
|----------------|-----------------|----------------|-----------------|---------------|--------------------|----------------|
| 制图 (DR): | 审核 (APP): | 版本 A | 比例 (SCALE): 1:1 | 图幅 (SIZE): A4 | 张数 (SHEET): 1 OF 1 | 单位 (UNITS): mm |
| 材料 (MATERIAL): | 公差 (TOLERANCE): | 料号 (PART NO.): | XDBM-05**~2*N P | | | |
| 一般公差: | ±0.25 | | | | | |
| XX | ±0.10 | | | | | |
| ANGLES | ±1° | | | | | |



NOTES:
 1.HOUSING: PA9T HIGH-TEMP THERMOPLASTIC UL94V-0 COLOR:BLACK
 2.TERMINAL:PHOSPHOR BRONZE
 PLATING:1" GOLD FLASH OVERALL 50~100~"NICKEL UNDER PLATED.
 3.CODING INFORMATION: XDBF-05**~2*N P



RECOMMENDED PCB PATTERN DIM.
 TOLERANCE : ±0.05

| Mating Height | Plug (H) | Socket (h) | NO. of contacts | Dimensions | | | | | NO. of contacts | Dimensions | | | | |
|---------------|----------|------------|-----------------|------------|-------|-------|-------|-------|-----------------|------------|-------|---|---|---|
| | | | | A | B | C | D | E | | A | B | C | D | E |
| 7.0 | 3.0 | 3.0 | 2*7 | 0.50 | 1.56 | 2.40 | 2*7 | 16.20 | 13.00 | 14.06 | 14.90 | | | |
| 7.5 | 3.5 | 3.5 | 2*8 | 4.20 | 1.00 | 2.06 | 2*8 | 16.70 | 13.50 | 14.56 | 15.40 | | | |
| 8.0 | 4.0 | 4.0 | 2*4 | 4.70 | 1.50 | 2.56 | 2*9 | 17.20 | 14.00 | 15.06 | 15.90 | | | |
| 8.5 | 4.5 | 4.5 | 2*5 | 5.20 | 2.00 | 3.06 | 2*30 | 17.70 | 14.50 | 15.56 | 16.40 | | | |
| | | | 2*6 | 5.70 | 2.50 | 3.56 | 2*31 | 18.20 | 15.00 | 16.06 | 16.90 | | | |
| | | | 2*7 | 6.20 | 3.00 | 4.06 | 2*32 | 18.70 | 15.50 | 16.56 | 17.40 | | | |
| | | | 2*8 | 6.70 | 3.50 | 4.56 | 2*33 | 19.20 | 16.00 | 17.06 | 17.90 | | | |
| | | | 2*9 | 7.20 | 4.00 | 5.06 | 2*34 | 19.70 | 16.50 | 17.56 | 18.40 | | | |
| | | | 2*10 | 7.70 | 4.50 | 5.56 | 2*35 | 20.20 | 17.00 | 18.06 | 18.90 | | | |
| | | | 2*11 | 8.20 | 5.00 | 6.06 | 2*36 | 20.70 | 17.50 | 18.56 | 19.40 | | | |
| | | | 2*12 | 8.70 | 5.50 | 6.56 | 2*37 | 21.20 | 18.00 | 19.06 | 19.90 | | | |
| | | | 2*13 | 9.20 | 6.00 | 7.06 | 2*38 | 21.70 | 18.50 | 19.56 | 20.40 | | | |
| | | | 2*14 | 9.70 | 6.50 | 7.56 | 2*39 | 22.20 | 19.00 | 20.06 | 20.90 | | | |
| | | | 2*15 | 10.20 | 7.00 | 8.06 | 2*40 | 22.70 | 19.50 | 20.56 | 21.40 | | | |
| | | | 2*16 | 10.70 | 7.50 | 8.56 | 2*41 | 23.20 | 20.00 | 21.06 | 21.90 | | | |
| | | | 2*17 | 11.20 | 8.00 | 9.06 | 2*42 | 23.70 | 20.50 | 21.56 | 22.40 | | | |
| | | | 2*18 | 11.70 | 8.50 | 9.56 | 2*43 | 24.20 | 21.00 | 22.06 | 22.90 | | | |
| | | | 2*19 | 12.20 | 9.00 | 10.06 | 2*44 | 24.70 | 21.50 | 22.56 | 23.40 | | | |
| | | | 2*20 | 12.70 | 9.50 | 10.56 | 2*45 | 25.20 | 22.00 | 23.06 | 23.90 | | | |
| | | | 2*21 | 13.20 | 10.00 | 11.06 | 2*46 | 25.70 | 22.50 | 23.56 | 24.40 | | | |
| | | | 2*22 | 13.70 | 10.50 | 11.56 | 2*47 | 26.20 | 23.00 | 24.06 | 24.90 | | | |
| | | | 2*23 | 14.20 | 11.00 | 12.06 | 2*48 | 26.70 | 23.50 | 24.56 | 25.40 | | | |
| | | | 2*24 | 14.70 | 11.50 | 12.56 | 2*49 | 27.20 | 24.00 | 25.06 | 25.90 | | | |
| | | | 2*25 | 15.20 | 12.00 | 13.06 | 2*50 | 27.70 | 24.50 | 25.56 | 26.40 | | | |
| | | | 2*26 | 15.70 | 12.50 | 13.56 | 14.40 | | | | | | | |

| 修订 | 修改摘要 | 签名 | 日期 |
|-----|----------------------|-----------|------|
| SIR | REVISION DESCRIPTION | SIGNATURE | DATE |
| | | | |
| | | | |

深圳市连欣科技有限公司

GENERAL TOLERANCE: ±0.25
 .X ±0.15
 .XX ±0.10
 ANGLES ±1°

图名(TITLE): 0.5mm 双槽BTB SOCKET
 料号(PART NO): XDBF-05**~2*N P
 版本 A 比例(SCALE) 图幅(SIZE) 张数(SHEET) 单位

删除(DRD): Kavin 2018.03.3
 审核(CHEK):
 核准(AAPP):

X-ON Electronics

Largest Supplier of Electrical and Electronic Components

Click to view similar products for [Board to Board & Mezzanine Connectors](#) category:

Click to view products by [Lian Xin](#) manufacturer:

Other Similar products are found below :

[589158040000018](#) [MDF7C-18P-2.54DSA\(55\)](#) [FCN-268F036-G/BD](#) [FCN-268M012-G/0D](#) [FCN-268M024-G/1D](#) [MIS-048-01-F-D-DP-K](#)
[832-10-034-10-001000](#) [FX4C-80S-1.27DSA](#) [93696-330](#) [224393](#) [FCN-235D050-G/C](#) [210-93-314-41-105000](#) [MDF7-40DP-2.54DSA\(55\)](#)
[55323-1519](#) [069159702701000](#) [101A10019X](#) [105061100000861+](#) [75140-7012](#) [87471-650](#) [1744382-4](#) [063209](#) [10124054-515LF](#) [68685-603](#)
[8-1616154-3](#) [541371078](#) [IL-WX-10PB-HF-B-E1000E](#) [FX23-40P-0.5SV15B](#) [FCN-214J100-G/0](#) [354184](#) [P50-028-DDS-TG](#) [53309-2471](#)
[54546-2071](#) [1586617-1](#) [504248-1210](#) [504248-2010](#) [1-1437355-2](#) [9159005551906](#) [NDS100-004-BF](#) [93696-730LF](#) [91922-31141LF](#) [505274-](#)
[3440](#) [501493-2410](#) [504208-3410](#) [505006-0811](#) [505274-2040](#) [202436-1600](#) [202477-0414](#) [71660-7580](#) [73420-5192](#) [360-10-107-00-001000](#)