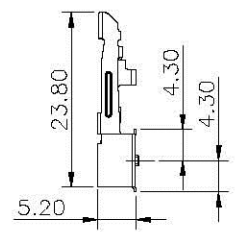
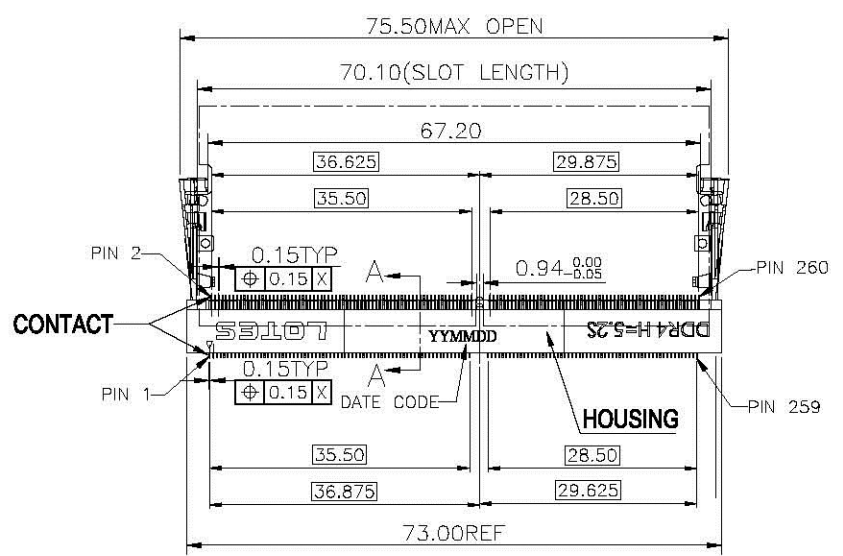
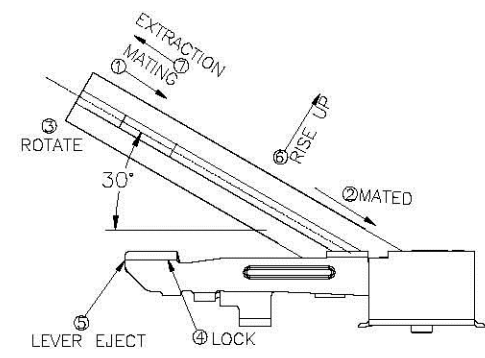
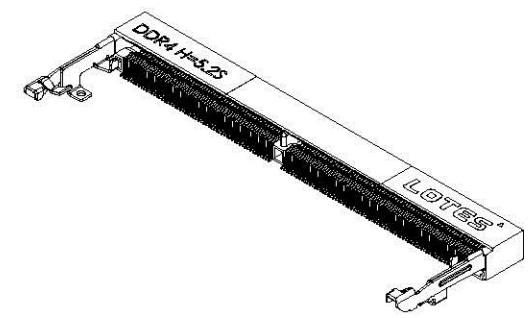
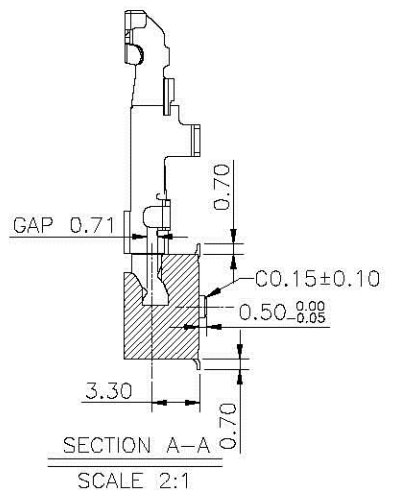
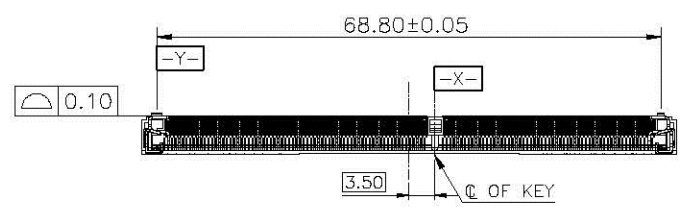
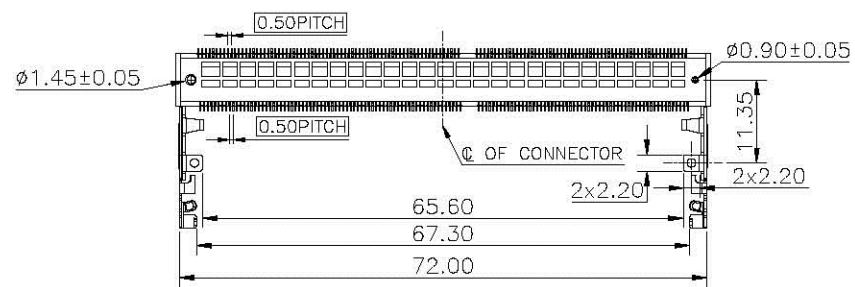


REV.	ECR/N NO./DESCRIPTION	DATE	DRAWN	CHECKED	APPROVE
C	RD140**	05/20'15	XU	Vito	Barney
D	RD140**	08/12'15	XU	Vito	Barney
E	RD140**	09/09'15	XU	Vito	Barney



GENERAL TOLERANCES UNLESS SPECIFIED		 深圳市连欣科技有限公司 Shenzhen City Lianxin Technology Co., Ltd							
X ± 0.35	X° $\pm 3^\circ$	PART NO.	TITLE						
.XX ± 0.25	X° $\pm 2^\circ$	XDDR0207-P001	SODDR4 5.2H 260 PIN STD TYPE						
.XXX ± 0.15	.XX° $\pm 1^\circ$	CHECKED BY Vito	DWG NO. AP-ADDR0207						
SIZE	UNITS	DRAWN BY XU	 <table border="1"> <tr> <th>SHEET</th> <th>SCALE</th> <th>REV</th> </tr> <tr> <td>1 / 5</td> <td>1 : 1</td> <td>E</td> </tr> </table>	SHEET	SCALE	REV	1 / 5	1 : 1	E
SHEET	SCALE	REV							
1 / 5	1 : 1	E							
A4	MM [INCH]								

NOTES:

1.MATERIALS:

HOUSING: LCP,UL 94V-0.

CONTACT: BRASS C2680.

LATCH: STAINLESS STEEL SUS301.

2.FINISH:

1)CONTACT:UNDERPLATED NICKEL 50~150u",
GOLD PLATED ON SOLDER AREA.
GOLD PLATED ON CONTACT AREA.(DETAL SEE TABLE)

2)LATCH:UNDERPLATED NICKEL 50~150u",MATTE TIN 80u" MIN.

3.ELECTRICAL PERFORMANCE

LLCR INITIAL 50mΩ MAX PER CONTACT.

FINAL ΔLLCR=20mΩ MAX

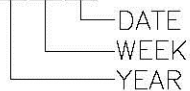
4.MECHANICAL PERFORMANCE,

MATING & UNMATING FORCE: 6.1 Kgf MAX.

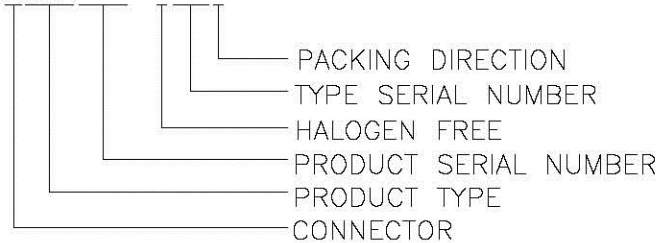
5.IR REFLOW:

THE PEAK TEMPRATURE ON THE BOARD SHALL BE
MAINTAINED FOR 10 SECONDS AT 260±5°C.

6. DC: XXXXXX



7.PRODUCT NUMBER NOTE:ADDR****-****

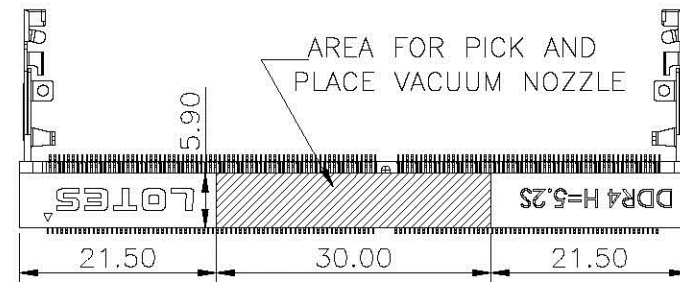


8.RoHS COMPLIANT.
HF COMPLIANT.

TABLE:

NO.	PART NO.	COLOR	DESCRIPTION
1	ADDR0207-P001A	BLACK	GOLD G/F ON CONTACT AREA
			GOLD G/F ON SOLDER AREA
2	ADDR0207-P002A	BLACK	GOLD 10u" ON CONTACT AREA
			GOLD G/F ON SOLDER AREA
3	ADDR0207-P003A	BLACK	GOLD 15u" ON CONTACT AREA
			GOLD G/F ON SOLDER AREA
4	ADDR0207-P004A	BLACK	GOLD 30u" ON CONTACT AREA
			GOLD G/F ON SOLDER AREA

标品



GENERAL TOLERANCES
UNLESS SPECIFIED

X± 0.35	X°± 3°
.XX± 0.25	X°± 2°
.XXX± 0.15	.XX°± 1°



深圳市连欣科技有限公司
Shenzhen City Lianxin Technology Co., Ltd

PART NO. XDDR0207-P001		TITLE SODDR4 5.2H 260 PIN STD TYPE			
CHECKED BY Vito		DWG NO. AP-ADDR0207			
SIZE A4	UNITS MM[INCH]	DRAWN BY XU		SHEET 2 / 5	SCALE 5 : 4
				REV E	

1 2 3 4 5 6 7 8

F F

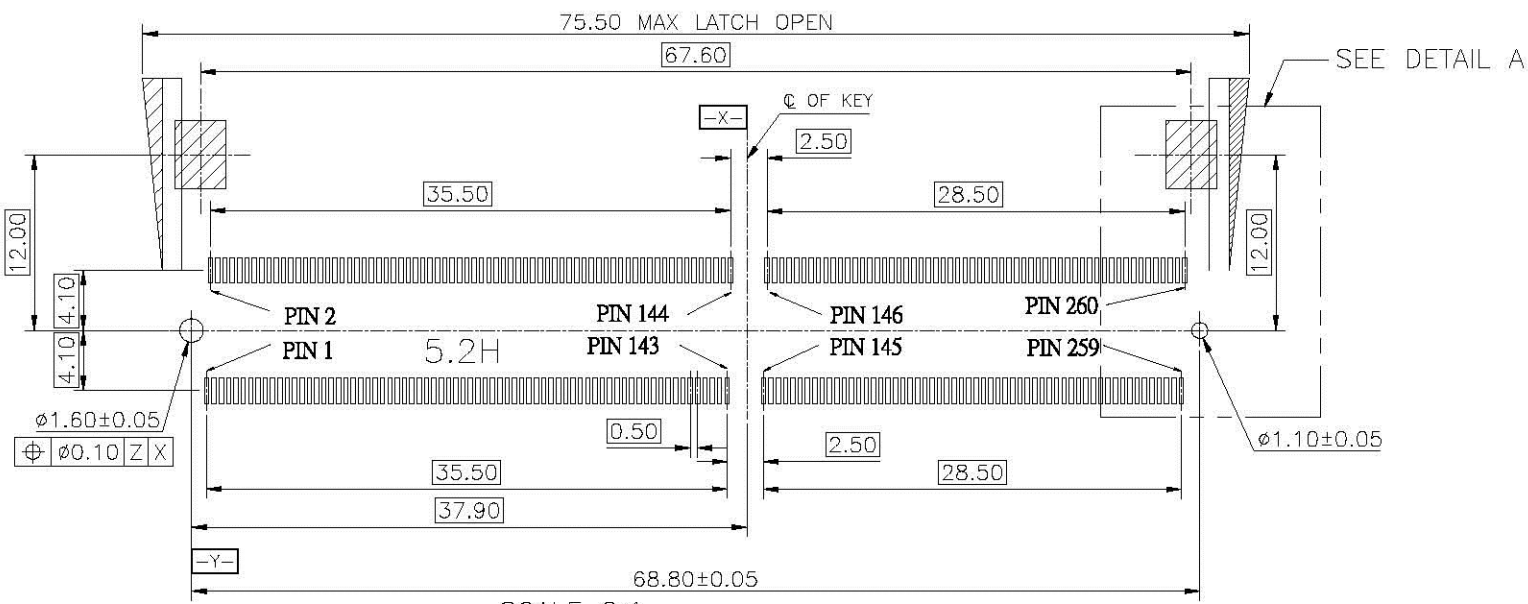
E E

D D

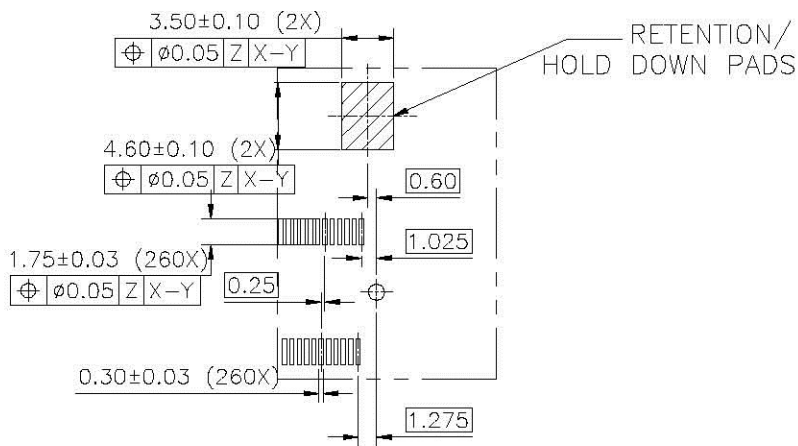
C C

B B

A A



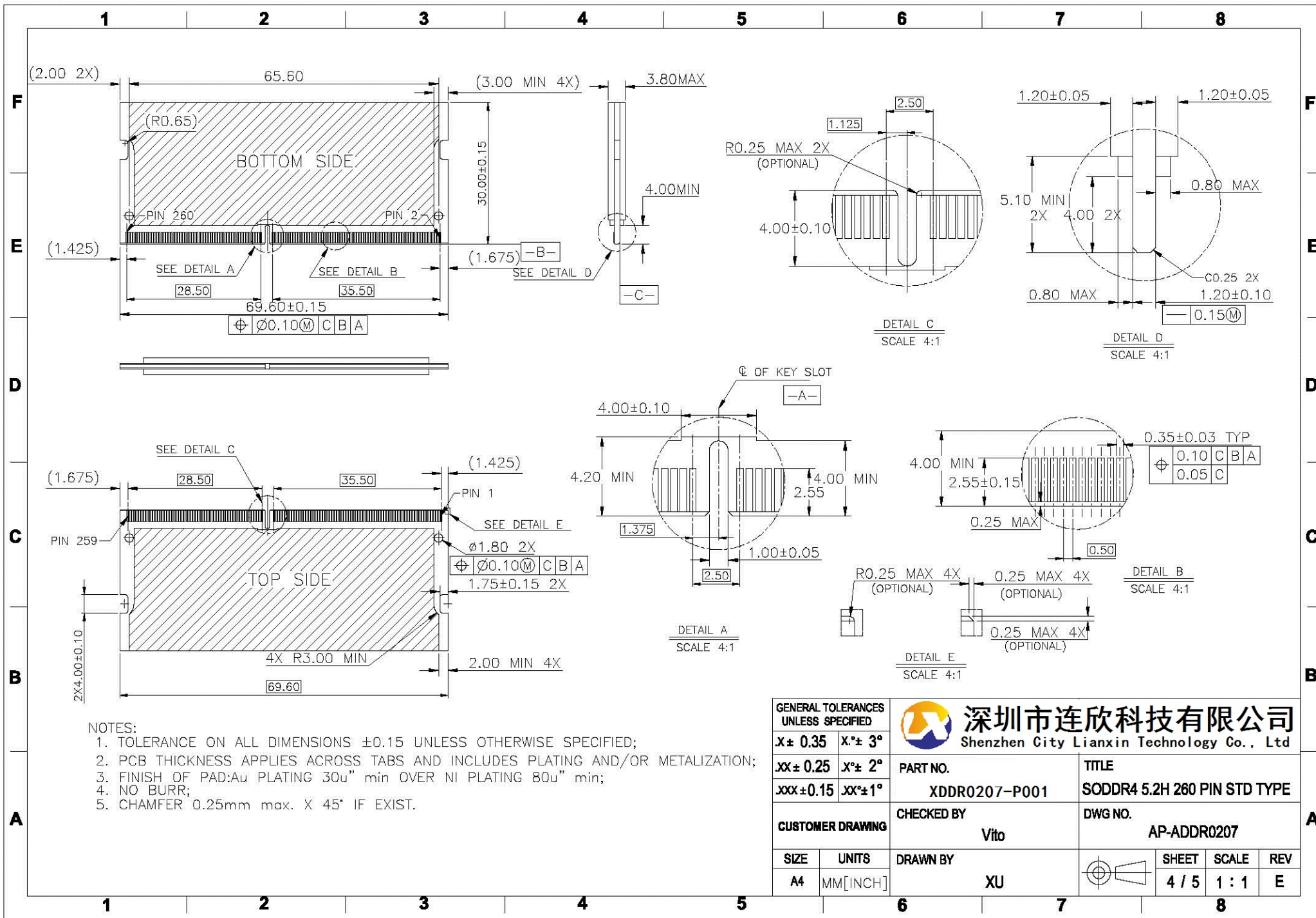
SCALE 2:1
 TOP VIEW
 RECOMMEND PCB LAYOUT (STANDARD)
 THE TOLERANCES UNLESS SPECIFIED IS ±0.05MM



DETAIL A

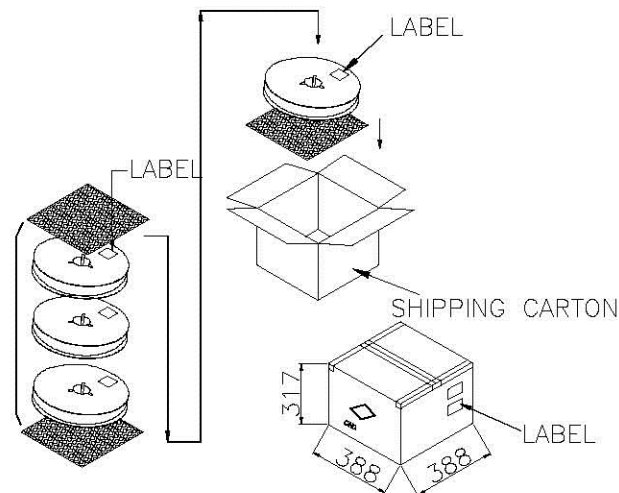
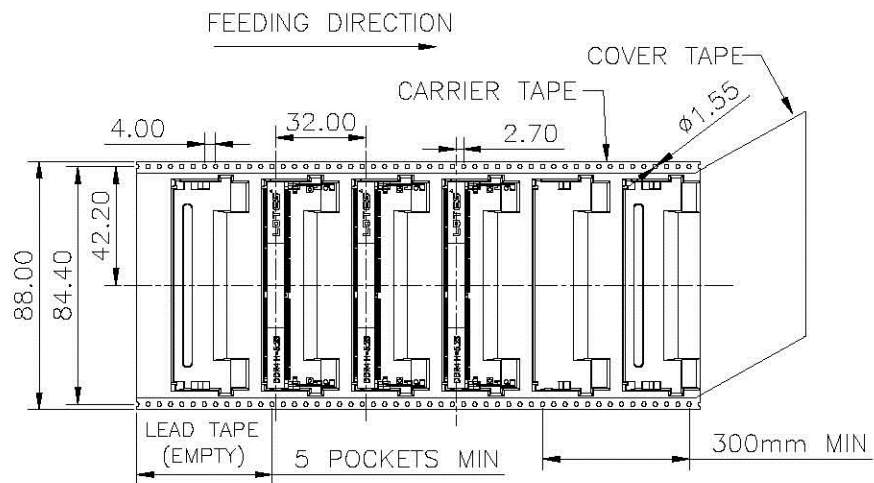
GENERAL TOLERANCES UNLESS SPECIFIED		 深圳市连欣科技有限公司 Shenzhen City Lianxin Technology Co., Ltd							
X± 0.35	X°± 3°								
.XX± 0.25	X°± 2°	PART NO.	TITLE						
.XXX± 0.15	.XX°± 1°	XDDR0207-P001	SODDR4 5.2H 260 PIN STD TYPE						
CUSTOMER DRAWING		CHECKED BY	DWG NO.						
		Vito	AP-ADDR0207						
SIZE	UNITS	DRAWN BY	<table border="1"> <tr> <td>SHEET</td> <td>SCALE</td> <td>REV</td> </tr> <tr> <td>3 / 5</td> <td>1 : 1</td> <td>E</td> </tr> </table>	SHEET	SCALE	REV	3 / 5	1 : 1	E
SHEET	SCALE	REV							
3 / 5	1 : 1	E							
A4	MM[INCH]	XU							

1 2 3 4 5 6 7 8



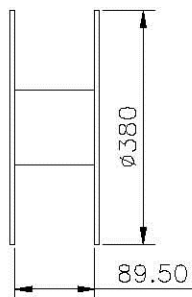
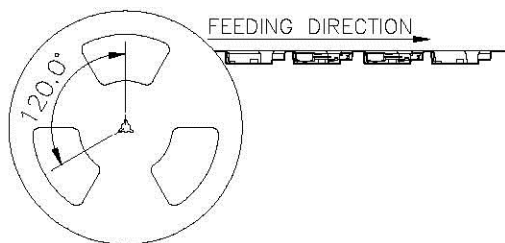
深圳市连欣科技有限公司
Shenzhen City Lianxin Technology Co., Ltd

GENERAL TOLERANCES UNLESS SPECIFIED		PART NO. XDDR0207-P001	TITLE SODDR4 5.2H 260 PIN STD TYPE		
$X \pm 0.35$	$X^\circ \pm 3^\circ$		DWG NO. AP-ADDR0207		
$.XX \pm 0.25$	$X^\circ \pm 2^\circ$	CHECKED BY Vito		SHEET 4 / 5	SCALE 1 : 1
$.XXX \pm 0.15$	$.XX^\circ \pm 1^\circ$	DRAWN BY XU			
CUSTOMER DRAWING					
SIZE A4	UNITS MM [INCH]				



NOTES:

1. MATERIAL :
 - 1.1 CARRY TAPE: PS
 - 1.2 COVER TAPE: PET
 - 1.3 SHIPPING CARTON: CORRUGATED FIBER
2. DIMENSION :
 - 2.1 REEL: W=88.0, $\phi A=380$
 - 2.2 SHIPPING CARTON: L=388, W=388, H=317 (INNER)
3. QUANTITY :
 - 3.1 PRIMARY PACKING: 300 PCS/REEL
 - 3.2 SECONDARY PACKING: 3 REELS/CARTON(900PCS)
4. PEELING RESISTANCE: 20gf~120gf.
5. PEELING SPEED: 300mm/minutes.



GENERAL TOLERANCES UNLESS SPECIFIED		 深圳市连欣科技有限公司 Shenzhen City Lianxin Technology Co., Ltd					
X \pm 0.35	X° \pm 3°	PART NO.		TITLE			
.XX \pm 0.25	X° \pm 2°	XDDR0207-P001		SODDR4 5.2H 260 PIN STD TYPE			
.XXX \pm 0.15	.XX° \pm 1°	CHECKED BY		DWG NO.			
CUSTOMER DRAWING		Vito		AP-ADDR0207			
SIZE	UNITS	DRAWN BY			SHEET	SCALE	REV
A4	MM[INCH]	XU			5 / 5	N/A	E

X-ON Electronics

Largest Supplier of Electrical and Electronic Components

Click to view similar products for [Standard Card Edge Connectors](#) category:

Click to view products by [Lian Xin](#) manufacturer:

Other Similar products are found below :

[CR7E-30DB-3.96E\(72\)](#) [6565204-6](#) [1437274-4](#) [1-582587-1](#) [284-0102-12100](#) [286-0052-12101A](#) [306022901000000](#) [A6D22DS29C2](#) [1926088-2](#) [245-062-520-350](#) [287-0032-12101](#) [306-028-525-102](#) [307-072-526-202](#) [330-030-500-278](#) [345-060-559-303](#) [534671-1](#) [341-240-317](#) [345-044-500-300](#) [346-240-318](#) [C7D10DS29C1M133](#) [395-100-524-300](#) [09-07-2032](#) [10035388-802LF](#) [10115859-011LF](#) [10122859-009LF](#) [101269333204245CLF](#) [530555-1](#) [66925-516LF](#) [5145409-2](#) [73726-0005](#) [66308-1](#) [EBC05DRXN](#) [KSLX-62-BR](#) [CE100F26-7-C](#) [CE100F28-3-D](#) [CE100F28-4-D](#) [CE156F22-9-C](#) [CT100F24-3-D](#) [CT100F24-6-C](#) [MLSS100-12-C](#) [SCC100F-11-C](#) [SCC100F-20-C](#) [SCC100F-24-C](#) [SCC100F-25-C](#) [3-530656](#) [2512250177](#) [285-0112-12300](#) [346-068-556-300](#) [284-0492-11000](#) [287-0032-12301](#)