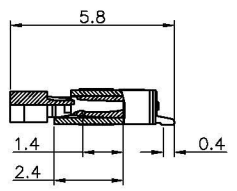
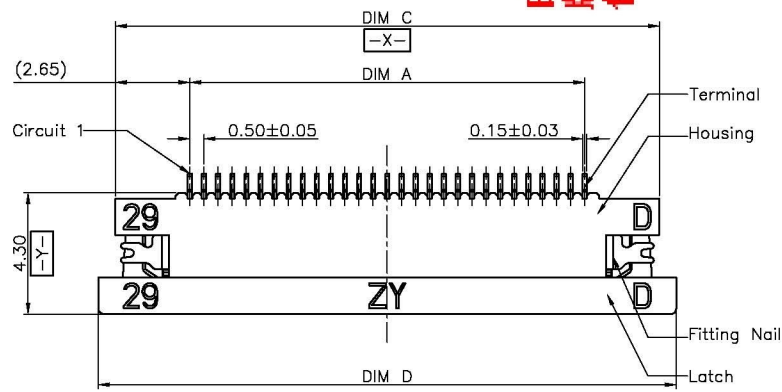
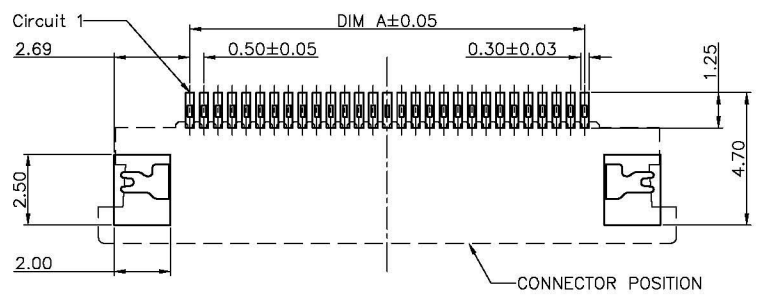
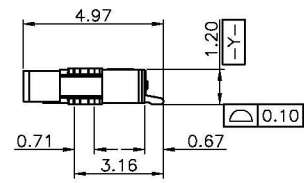
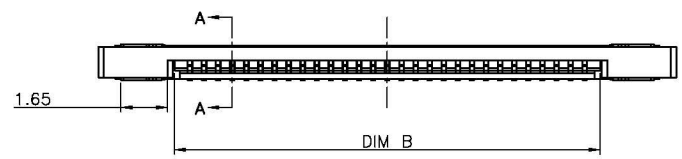


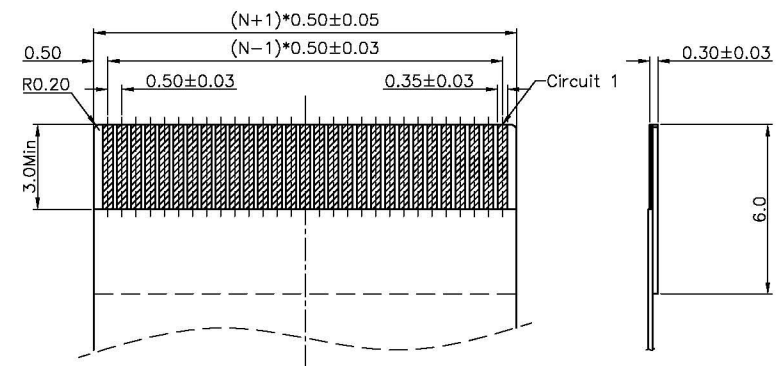
由 Foxit PDF
 版权所有 (C)
 仅用于评估



SECTION A-A
 SCALE 1:1



RECOMMENDED P.C.B PATTERN LAYOUT



RECOMMENDED FPC/FFC DIMENSION

- Note:
- Material:
 - Housing: thermoplastic high temp.UL94V-0; Color: natural.
 - Latch: thermoplastic high temp.UL94V-0; Color: black.
 - Terminal: copper alloy.
 - Fitting Nail: copper alloy.
 - Finish:
 - Terminal: Underplating: Au/matt Tin overall.
 - Fitting Nail: Underplating: matt Tin overall.
 - Product must comply HF RoHS specification.

CKTS	DIM A	DIM B	DIM C	DIM D
4	1.50	2.60	6.80	8.00
5	2.00	3.10	7.30	8.50
6	2.50	3.60	7.80	9.00
7	3.00	4.10	8.30	9.50
8	3.50	4.60	8.80	10.00
9	4.00	5.10	9.30	10.50
10	4.50	5.60	9.80	11.00
11	5.00	6.10	10.30	11.50
12	5.50	6.60	10.80	12.00
13	6.00	7.10	11.30	12.50
14	6.50	7.60	11.80	13.00
15	7.00	8.10	12.30	13.50
16	7.50	8.60	12.80	14.00
17	8.00	9.10	13.30	14.50
18	8.50	9.60	13.80	15.00
19	9.00	10.10	14.30	15.50
20	9.50	10.60	14.80	16.00
21	10.00	11.10	15.30	16.50
22	10.50	11.60	15.80	17.00
23	11.00	12.10	16.30	17.50
24	11.50	12.60	16.80	18.00
25	12.00	13.10	17.30	18.50
26	12.50	13.60	17.80	19.00
27	13.00	14.10	18.30	19.50
28	13.50	14.60	18.80	20.00
29	14.00	15.10	19.30	20.50
30	14.50	15.60	19.80	21.00
31	15.00	16.10	20.30	21.50
32	15.50	16.60	20.80	22.00
33	16.00	17.10	21.30	22.50
34	16.50	17.60	21.80	23.00
35	17.00	18.10	22.30	23.50
36	17.50	18.60	22.80	24.00
37	18.00	19.10	23.30	24.50
38	18.50	19.60	23.80	25.00
39	19.00	20.10	24.30	25.50
40	19.50	20.60	24.80	26.00
41	20.00	21.10	25.30	26.50
42	20.50	21.60	25.80	27.00
43	21.00	22.10	26.30	27.50
44	21.50	22.60	26.80	28.00
45	22.00	23.10	27.30	28.50
46	22.50	23.60	27.80	29.00
47	23.00	24.10	28.30	29.50
48	23.50	24.60	28.80	30.00
49	24.00	25.10	29.30	30.50
50	24.50	25.60	29.80	31.00
51	25.00	26.10	30.30	31.50
52	25.50	26.60	30.80	32.00
53	26.00	27.10	31.30	32.50
54	26.50	27.60	31.80	33.00
55	27.00	28.10	32.30	33.50
56	27.50	28.60	32.80	34.00
57	28.00	29.10	33.30	34.50
58	28.50	29.60	33.80	35.00
59	29.00	30.10	34.30	35.50
60	29.50	30.60	34.80	36.00

CUSTOMER DRAWING		L&X 深圳市连欣科技有限公司	
Tolerance Unspecified (未注公差)	Size (图幅): A4	Product Name (产品名称):	
0.0 ±0.15 0° ±5°	Unit (单位): MM	0.5Pitch H=1.2 FPC ZIF R/A Lower Type SMT CONN	
0.00 ±0.10 0°0 ±3°	Scale (比例): 1:1	Product No (产品料号):	
0.000 ±0.05 0°0.00 ±1°	Project View (投影视法): 1 OF 1	XDFC-0512-14**P	
Rev (版本):	Page (页次): A	Designer (设计): Allan 02/15'11	Checked (审核):
Rev (版本):	Page (页次):	Approved (核准):	

Rev	Change Description	Date	Revisor
A	初版发行	2011/02/15	Allan
版本	变更内容	日期	制/修订人

X-ON Electronics

Largest Supplier of Electrical and Electronic Components

Click to view similar products for [FFC & FPC Connectors](#) category:

Click to view products by [Lian Xin](#) manufacturer:

Other Similar products are found below :

[00-6200-227-022-800](#) [006205250500825+](#) [006205280500825+](#) [FPH-1602G](#) [086222026001800](#) [52610-0675](#) [62674-201121DLF](#) [52746-1671-TR250](#) [10051922-1610EHLF](#) [10051922-2810EHLF](#) [686322124422](#) [XF3M-2915-1B-R100](#) [AYF353125A](#) [AYF530665TA](#) [AYF534065TA](#) [20FLH-RSM1-TB](#) [PCA-7F-25-HL-3-G](#) [207356-1](#) [52807-0430](#) [FFC05011-10SBB114W5M](#) [502250-8027](#) [FH28K-40S-0.5SH](#) [200528-0260](#) [FH28K-10S-0.5SH](#) [501951-1250](#) [X05B20U43T](#) [0.5K-DX-30PWB](#) [DS1020-08-10VBT12](#) [THD0515-34CL-GF](#) [X05A10L28G](#) [ECC2841061EU](#) [20539-030E-01](#) [1.0K-DHQX-16PWB](#) [1.0K-DHQX-30PWB](#) [1775333-6](#) [10054365-202110ELF](#) [10054365-242110ELF](#) [10054365-282110ELF](#) [10064555-392220HLF](#) [59453-041110EBHLF](#) [59453-091110EDHLF](#) [62674-241141ALF](#) [62684-432100ALF](#) [62684-451100AHLF](#) [62684-5721N0ALF](#) [HFW11R-1STE1MTLF](#) [HFW12R-1STE9LF](#) [HFW14R-1STE9MTLF](#) [HFW18S-2STE9LF](#) [HFW20R-1STAE1HLF](#)