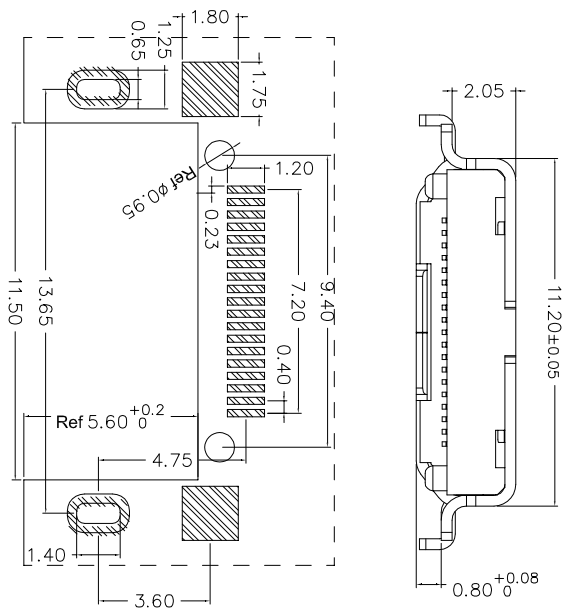
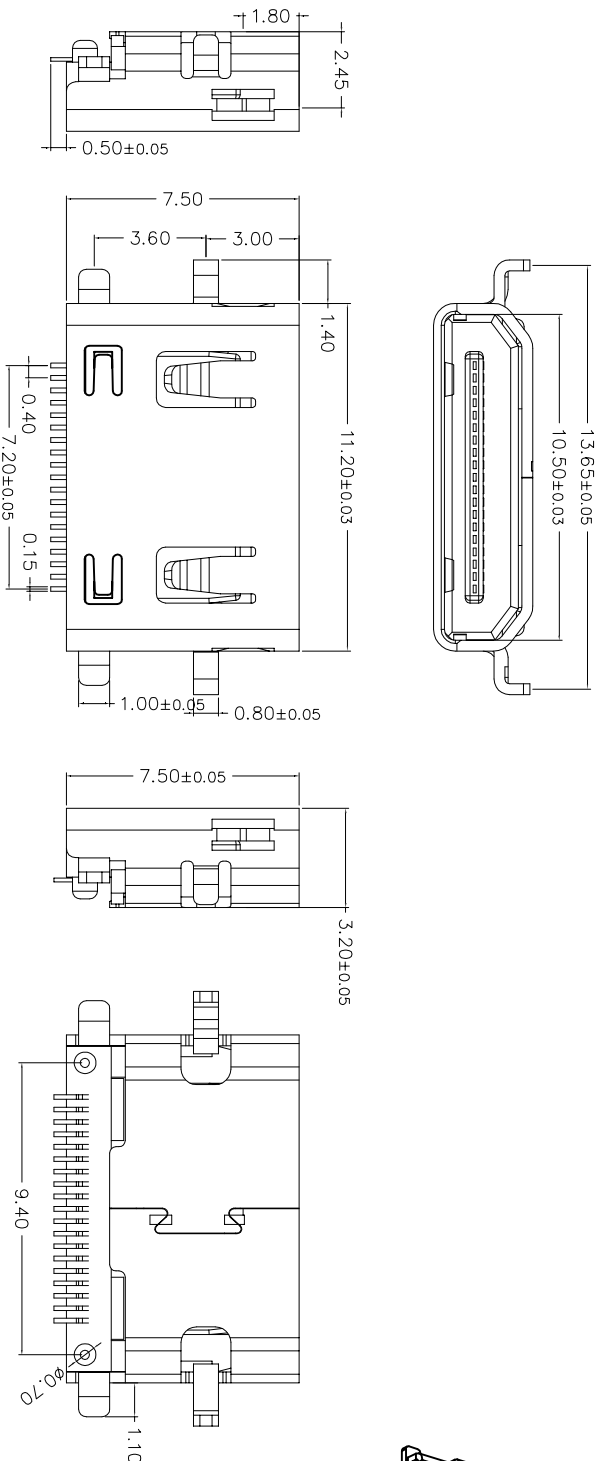
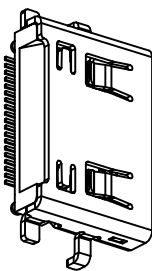


* 所有原材料质, 生产制程, 电镀必须符合ROHS要求



- SPECIFICATION:
1. MATING FORCE: 44.1N MAX
 2. UNMATING FORCE: 7.25N
 3. DURABILITY: 5000 CYCLES MIN
 4. CURRENT: 0.5A
 5. VOLTAGE: 40V MAX
 6. WITHSTANDING VOLTAGE: 500V AC MIN. (UNMATED)
 7. CONTACT RESISTANCE: 30mΩ MAX.
 8. INSULATION RESISTANCE: 1.00MΩ MIN. (UNMATED)
 9. OPERATING TEMPERATURE RANGE: -20°C TO +85°C
 10. ALL THE MATERIAL SHOULD COMPLY WITH THE ROHS REQUIREMENT.

Table 4-17 Type C-to-Type C Cable Wire Assignment

Type C pin	Signal Name
1	TMS Data2 Shield
2	TMS Data2+
3	TMS Data2-
4	TMS Data1 Shield
5	TMS Data1+
6	TMS Data1-
7	TMS Data0 Shield
8	TMS Data0+
9	TMS Data0-
10	TMS Clock Shield
11	TMS Clock+
12	TMS Clock-
13	DDIO/CEC Ground
14	CEC
15	SCL
16	SDA
17	Utility
18	+5V Power
19	Hot Plug Detect

深圳市连欣科技有限公司

PRODUCT NAME: MM-HDMI 19Pin C TYPE 规格: 0.80 前置后座SMD B版

DRAWINGS: 朱新华 DATE: 2009/12/10

UNLESS OTHERWISE SPECIFIABLE DIMENSION TOLERANCE

DIMENSION TOLERANCE

X.X: ± 0.25

X.XX: ± 0.10

X.XXX: ± 0.05

ANGULAR: ± 1°

DRAWING NO.: LX009-19Q8B

APPROVED: JACK DATE: 2009/12/10

CHECK: JEFF DATE: 2009/12/10

SCALE: 1:1 DWG ID: P D REV.: A PAGE: 1 of 1

REVISION NO.	ECR NO.	DESCRIPTION	MARK	DATE
1				

X-ON Electronics

Largest Supplier of Electrical and Electronic Components

Click to view similar products for [D-Sub Standard Connectors](#) category:

Click to view products by [Lian Xin](#) manufacturer:

Other Similar products are found below :

[015-0339-000](#) [015-0341-000](#) [015-0349-000](#) [015-0350-000](#) [015-8544-011](#) [015-8755-001](#) [017041-0005](#) [020419-0104](#) [609-25P](#) [609-9P](#)
[M24308/2-23Z](#) [CT0-24-10SC](#) [CT0-36-3PC](#) [CT0E20-8PS](#) [CT0F16S-1PS](#) [CT0TA16-11SXCA232](#) [CT1E20-19SS](#) [CT2-10SL-3SC](#) [CT2-14S-2PCA34](#) [CT2-18-11PCAU](#) [CT2-22-19SC](#) [CT2-36-5PC](#) [CT6-10SL-3SC](#) [CT6-10SL-4SC](#) [CT6-14S-2SC](#) [CT6-16-12SC](#) [CT6-18-10PSA206](#)
[CT6-18-10PSA232](#) [CT6-18-11PXSA206](#) [CT6-18-11PXSA232](#) [CT6-22-10PS](#) [CT6-24-5PC](#) [CT6-9767-18-8-18-4SS](#) [CT6E14S-5SC](#)
[CT6E14SA7SC](#) [CT6E20-14SS](#) [CT6E22-14PC](#) [CT6E22-14PS](#) [CT6E22-19PS](#) [CT6E22-22PS](#) [CT6E24-10SC](#) [CT6F16S-1SC](#) [CT6FA10SL-4PS](#)
[CT6LA20-19PC](#) [CT6M20-19SS](#) [CT6NSB4-20-8SS](#) [CT6TC14S-6SCAU](#) [CT6TC14S-7PS](#) [6STD15SCT99S40X](#) [6STF09PCM05B70X](#)