

REV.	DESCRIPTION	CHANGED	ECN/NO.	DATE
A0	NEW ISSUE			2012/8/17

NOTE:

1.MATERIAL:

- 1.1 HOUSING: LCP, UL 94V-0  
COLOR: BLACK.
- 1.2 CONTACT: COPPER ALLOY, T=0.20mm.
- 1.3 SHIELD: COPPER ALLOY, T=0.40mm.

2.FINISH:

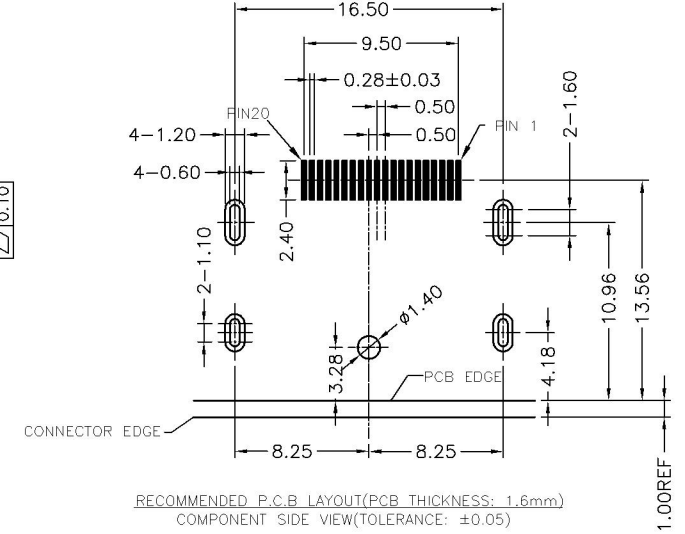
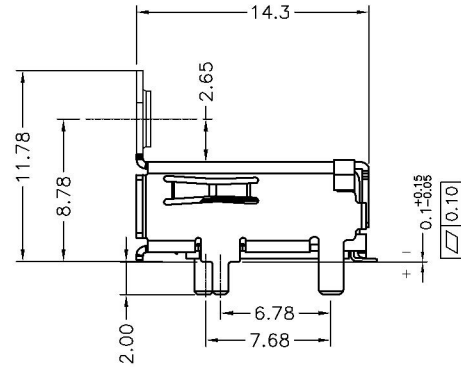
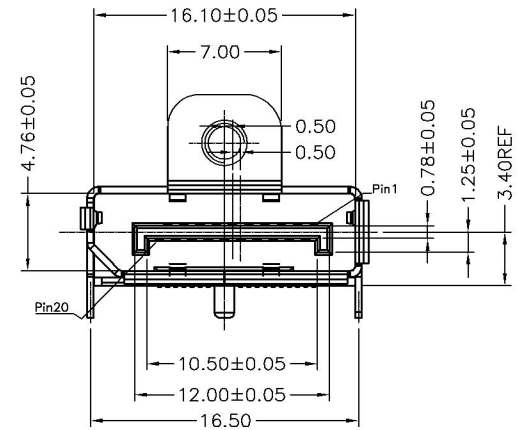
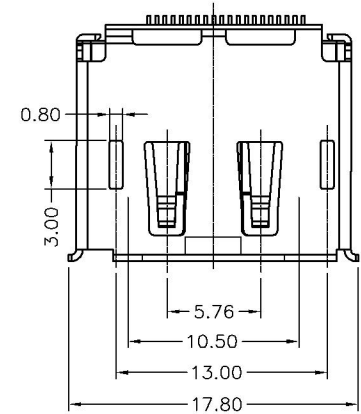
- 2.1 CONTACT: GOLD (1U") PLATING IN CONTACT AREA,  
80u"MIN MATTE TIN PLATED IN SOLDER AREA,  
30u" MIN. NICKEL UNDERPLATED OVERALL.
- 2.2 SHIELD: 50u" MIN. NICKEL UNDERPLATED OVERALL.

3.MECHANICAL CHARACTERISTICS

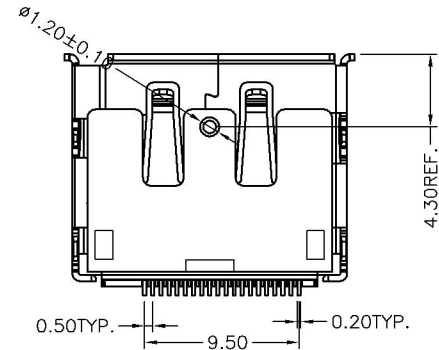
- 3.1 RATING CURRENT: 0.5A
- 3.2 RATING VOLTAGE: 40V
- 3.3 CONTACT RESISTANCE: 40 mΩ MAX
- 3.4 INSULATION RESISTANCE:
  - a, UNMATED: 100MΩ MIN AT 500 VDC
  - b, MATED: 10M OHMS MIN AT 150 VDC
- 3.5 DIELECTRIC WITHSTANDING VOLTAGE: 500V AC/1MINUTE
- 3.6 DURABILITY: 10000 CYCLES.
- 3.7 OPERATING TEMPERATURE: -40°C-- +85°C
- 3.8 STORAGE TEMPERATURE: -40°C-- +65°C

4. NOTES:

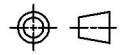
- 4.1 ALL COMPONENTS ARE RoHS COMPLIANT.
- 4.2 RESISTANCE TO SOLDERING HEAT: 265°C FOR 10 SECONDS.



RECOMMENDED P.C.B LAYOUT(PCB THICKNESS: 1.6mm)  
COMPONENT SIDE VIEW(TOLERANCE: ±0.05)

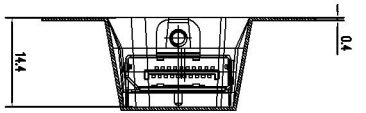
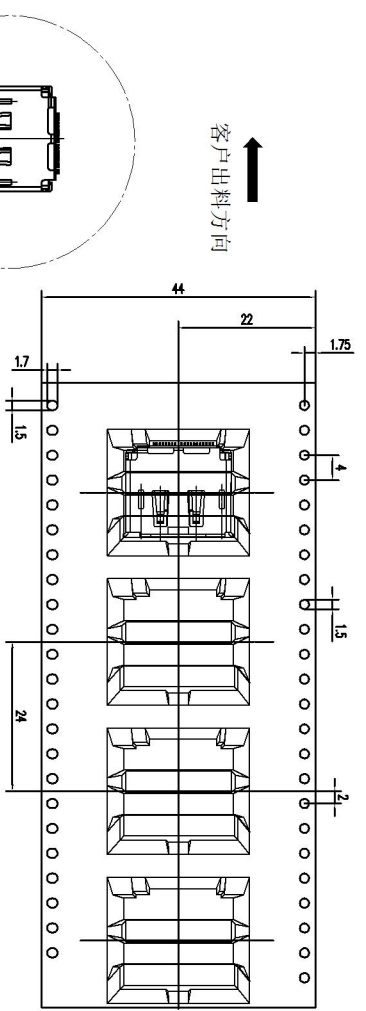


# 深圳市连欣科技有限公司



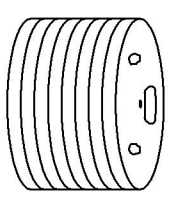
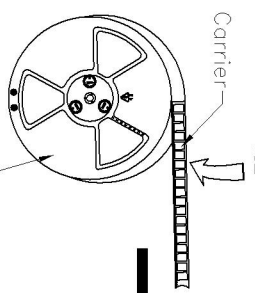
公差参考表			产品名称	DISPLAY PORT 20P FEMALE SMT外壳插板带螺丝孔2.65			
X	±0.35	ANGLE	产品编号	XDPF-0206-20S08			
X.X	±0.25	X° ±2°	模具图号	版本	A0	单位	MM
X.XX	±0.15	X.X° ±1.0°	审核	单重		比例	
X.XXX	±0.050	X.XX° ±0.50°	制图	胡志凤	类型	页数	1/2

REV.	DESCRIPTION	CHANGED	ECN/NO.	DATE
A0	NEW ISSUE			2012/8/17

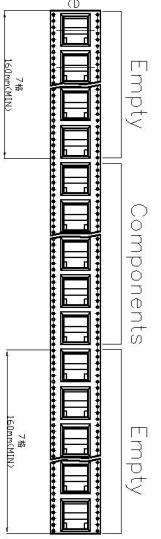


NOTES:

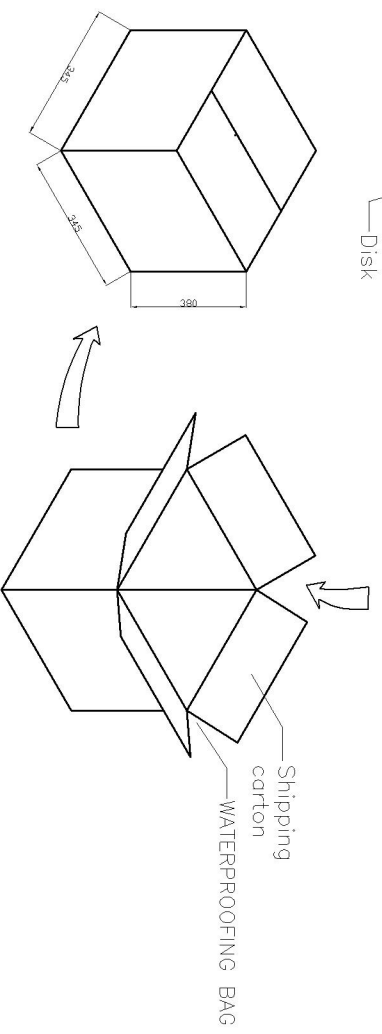
1. Material:
  - 1.1 Carrier: Black Anti-Static Polystyrene.
  - 1.2 Shipping carton: corrugated fiberboard
2. Dimension:
  - 2.1 Carrier: Thickness: 0.5±0.05mm.
  - 2.2 Disk: Diameter ø350mm.
3. Quantity:
  - 3.1 Primary packing: 190 PCS/Disk
  - 3.2 Secondary packing: 7Disk(1330PCS).



13" reel load per carton: 7 disk(1330PCS).



USER DIRECTION FO  
FEED



# 深圳市连欣科技有限公司

## 公差参考表

X	±0.35	ANGLE	产品编号	DISPLAY PORT 20P FEMALE					
X.X	±0.25	X°	模具图号	SMT外壳插板带螺丝孔2.65 REEL					
X.XX	±0.15	X.X°	审核		版本	A0	单位	MM	
X.XXX	±0.050	X.XX°	制图		单重		比例		
					胡志凤		类型		页数
									2/2



## X-ON Electronics

Largest Supplier of Electrical and Electronic Components

*Click to view similar products for [D-Sub Standard Connectors](#) category:*

*Click to view products by [Lian Xin](#) manufacturer:*

Other Similar products are found below :

[015-0339-000](#) [015-0341-000](#) [015-0349-000](#) [015-0350-000](#) [015-8544-011](#) [015-8755-001](#) [017041-0005](#) [020419-0104](#) [609-25P](#) [609-9P](#)  
[M24308/2-23Z](#) [CT0-24-10SC](#) [CT0-36-3PC](#) [CT0E20-8PS](#) [CT0F16S-1PS](#) [CT0TA16-11SXCA232](#) [CT1E20-19SS](#) [CT2-10SL-3SC](#) [CT2-14S-2PCA34](#) [CT2-18-11PCAU](#) [CT2-22-19SC](#) [CT2-36-5PC](#) [CT6-10SL-3SC](#) [CT6-10SL-4SC](#) [CT6-14S-2SC](#) [CT6-16-12SC](#) [CT6-18-10PSA206](#)  
[CT6-18-10PSA232](#) [CT6-18-11PXSA206](#) [CT6-18-11PXSA232](#) [CT6-22-10PS](#) [CT6-24-5PC](#) [CT6-9767-18-8-18-4SS](#) [CT6E14S-5SC](#)  
[CT6E14SA7SC](#) [CT6E20-14SS](#) [CT6E22-14PC](#) [CT6E22-14PS](#) [CT6E22-19PS](#) [CT6E22-22PS](#) [CT6E24-10SC](#) [CT6F16S-1SC](#) [CT6FA10SL-4PS](#)  
[CT6LA20-19PC](#) [CT6M20-19SS](#) [CT6NSB4-20-8SS](#) [CT6TC14S-6SCAU](#) [CT6TC14S-7PS](#) [6STD15SCT99S40X](#) [6STF09PCM05B70X](#)