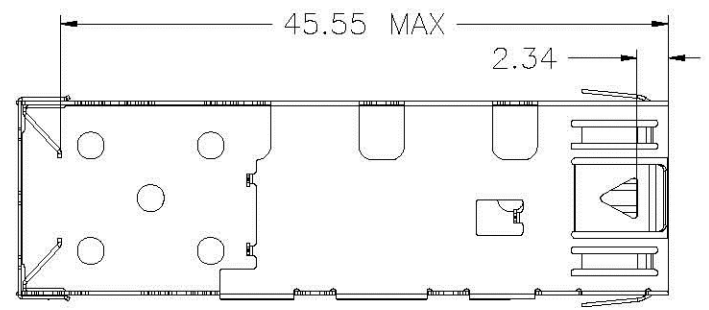
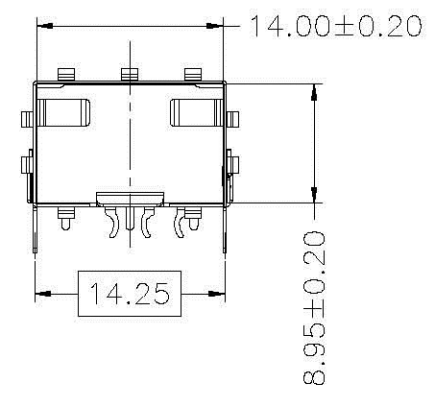
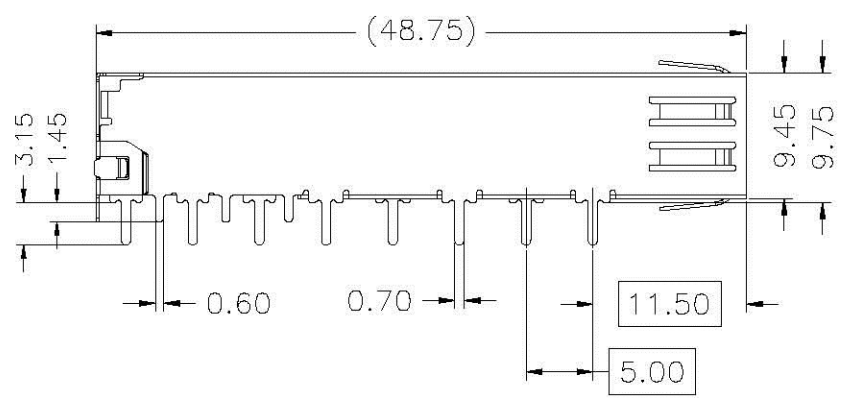
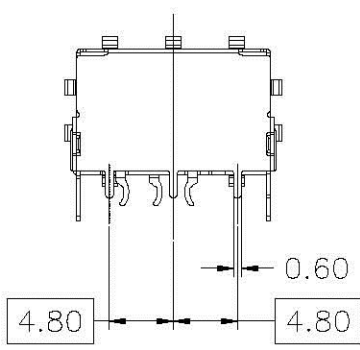
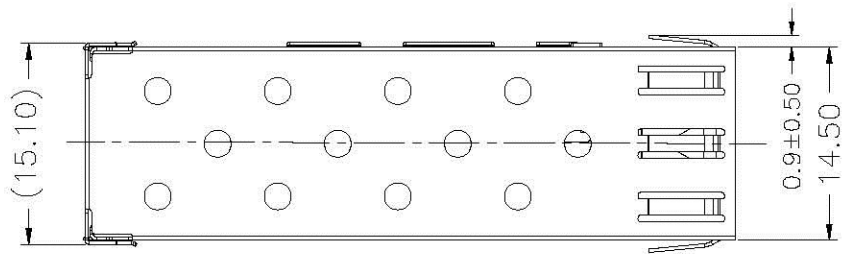


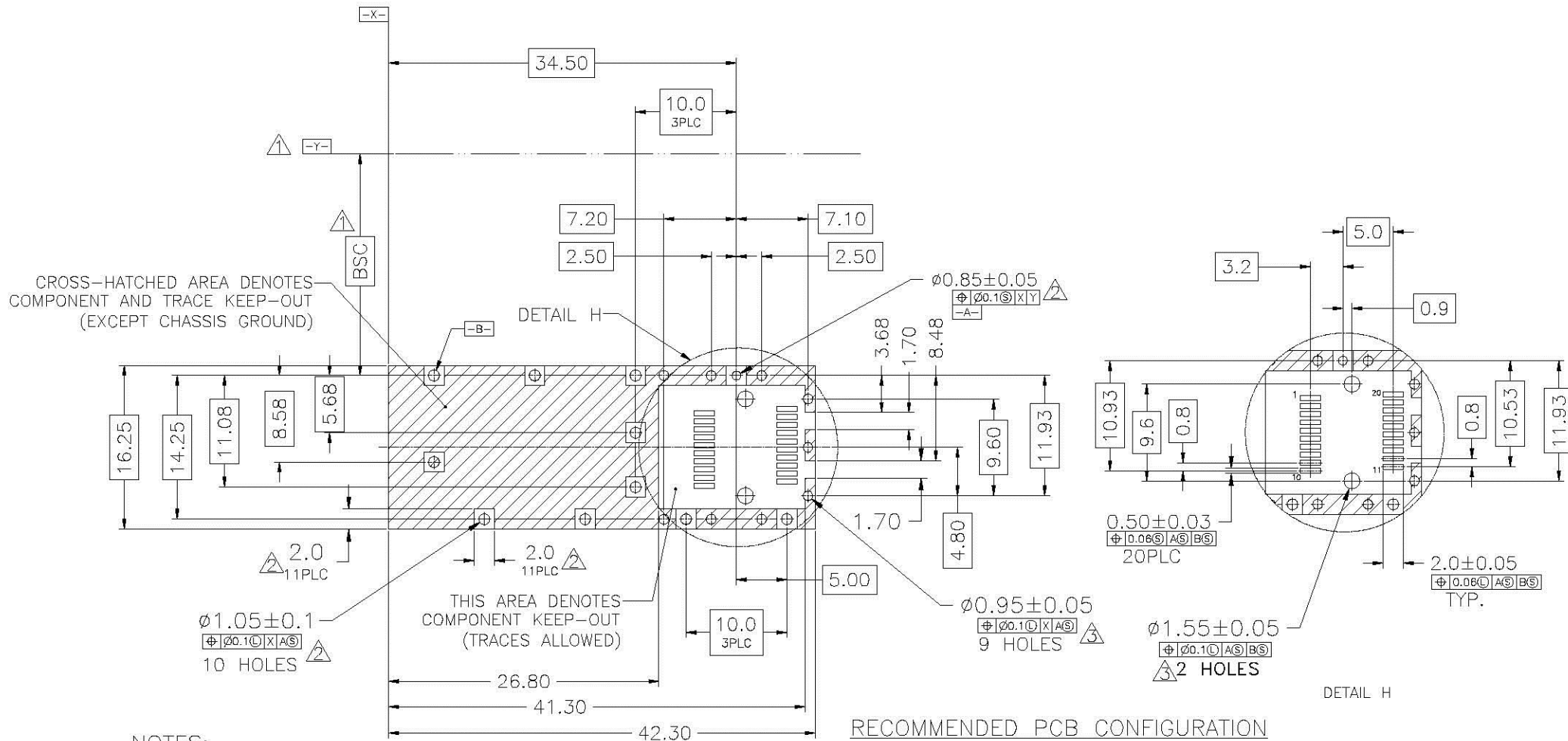
REV	DESCRIPTION OF CHANGE	REVIEWED BY	ISSUE DATE
A	FIRST ISSUE	Nealson	2021-08-01



NOTES:

- 1.MATERIAL: COPPER ALLOY, NI-PLATED
- 2.PACKAGING: TRAY PACKAGING
- 3.TEMPERATURE RANGE: -55°C TO +85°C

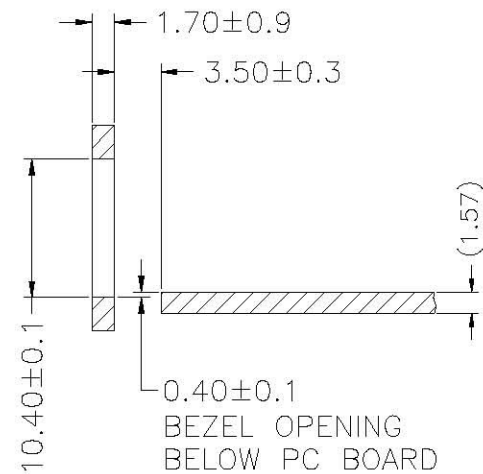
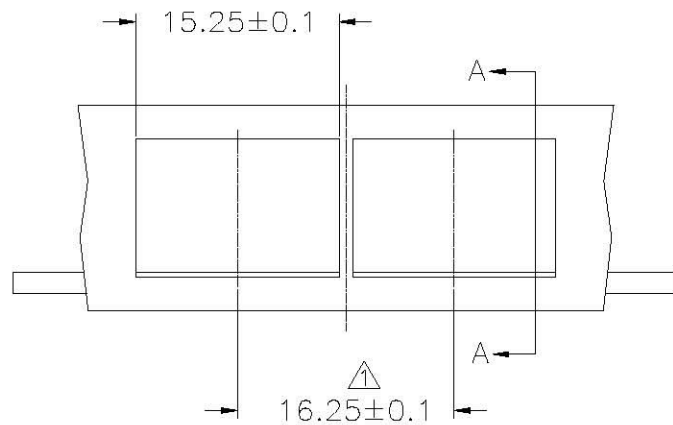
TITLE			SFP 1x1光纤笼子DIP		 深圳市连欣科技有限公司 Shenzhen City Lianxin Technology Co., Ltd				
PART NO.			XDSFP-020-RTS19		GENERAL TOLERANCE			UNIT:MM	SIZE: A4
APPROVE	CHECK	DRAW			.X±0.20	.X±1'	SCALE: 1:1	SHEET:1/3	REV:A
Nealson	Kevin	Kevin			.XX±0.15	.XX±5'			
					.XXX±0.10				



NOTES:

- 1. DATUM AND BASIC DIMENSIONS ESTABLISHED BY CUSTOMER
- 2. PADS AND VIAS ARE CHASSIS GROUND, 11 PLACES
- 3. THRU HOLES, PLATING OPTIONAL

TITLE			SFP 1x1光纤笼子DIP		 深圳市连欣科技有限公司 Shenzhen City Lianxin Technology Co., Ltd					
PART NO.			XDSFP-020-RTS19		GENERAL TOLERANCE			UNIT:MM	SIZE: A4	
APPROVE	CHECK	DRAW	.X±0.20	.X±1'	SCALE: 1:1		SHEET:2/3		REV:A	
Nealson	Kevin	Kevin	.XX±0.15	.XX±5'						
			.XXX±0.10							



SECTION A-A

RECOMMENDED BEZEL DESIGN

NOTES:
 MINIMUM PITCH ILLUSTRATED, ENGLISH DIMENSIONS ARE FOR REFERENCE ONLY

TITLE			SFP 1x1光纤笼子DIP		 深圳市连欣科技有限公司 Shenzhen City Lianxin Technology Co., Ltd				
PART NO.			XDSFP-020-RTS19		GENERAL TOLERANCE			UNIT:MM	SIZE: A4
APPROVE	CHECK	DRAW	.X±0.20	.X±1°	SCALE: 1:1	SHEET:3/3	REV:A		
Nealson	Kevin	Kevin	.XX±0.15	.XX±5°					
			.XXX±0.10						

X-ON Electronics

Largest Supplier of Electrical and Electronic Components

Click to view similar products for [D-Sub Backshells](#) category:

Click to view products by [Lian Xin](#) manufacturer:

Other Similar products are found below :

[600X54009X](#) [600X56025X](#) [M85049/48-1-2](#) [M85049/6-38N](#) [M85049/86-12N03](#) [70.350.0636.4](#) [72.350.1035.2](#) [73.359.4035.3](#) [747534-2](#)
[829472-1](#) [PCS-E20W](#) [970-015-040R011](#) [971-009-040R011](#) [DD-C4-J13-S1](#) [DPH-B-003](#) [165X02659X](#) [165X10899X](#) [165X11689X](#)
[165X13169X](#) [L171373](#) [971-037-040R011](#) [300X11139X](#) [165X00809X](#) [165X11629XE](#) [165X17189X](#) [165X17449X](#) [300X10179X](#) [500-](#)
[047M37H](#) [500T010J21H08](#) [557-083B1](#) [557B316M535TB8](#) [557E316M536TB6](#) [557S283NF1A05](#) [557T071NF131SB](#) [557T113M232B](#)
[400FS001M2410F2](#) [DA-C8-J10-F1-1R](#) [DB-C2-J9R](#) [DB-C8-J10-F5-1R](#) [419-2080-502](#) [DC-C8-J13-B1-1R](#) [DMHE001](#) [500-016NF09EN](#) [500-](#)
[017M51FN](#) [500T010M15E08](#) [500T010M15H06](#) [500T010NF15B08](#) [500T010NF15H08](#) [500T012M21E](#) [507-146M31EC](#)