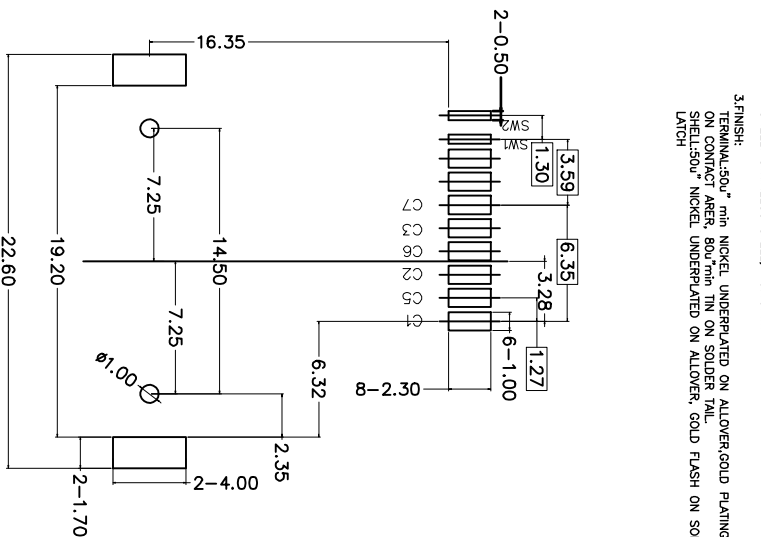
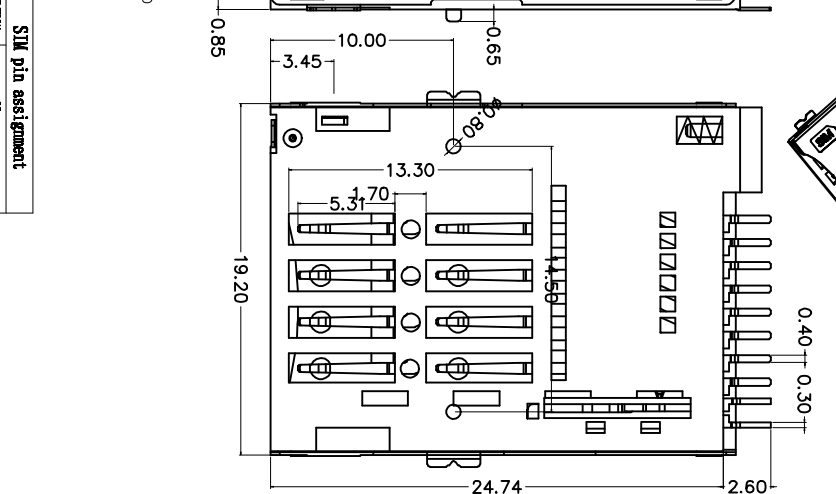
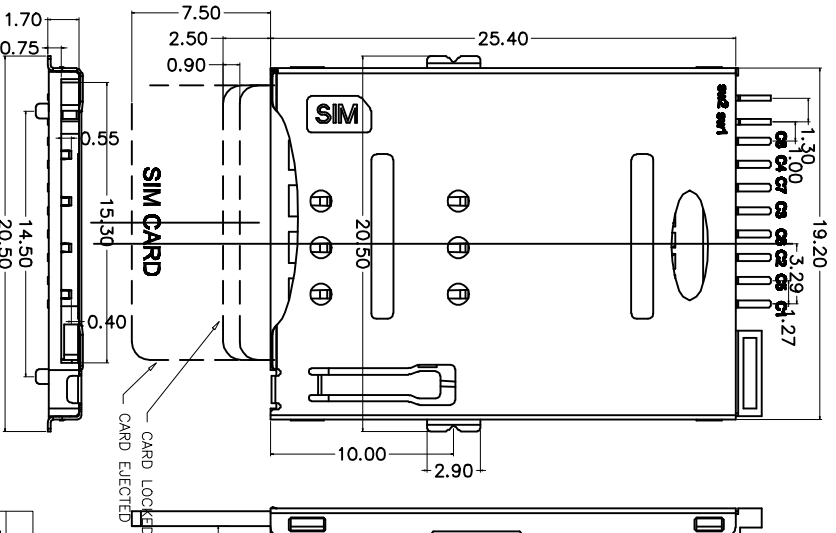
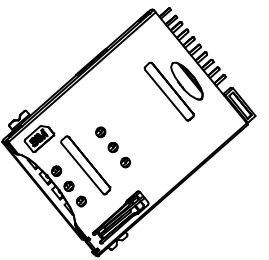
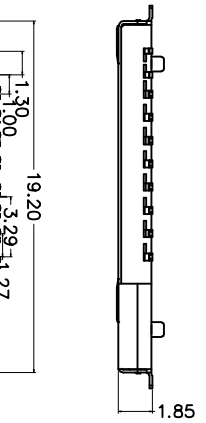




**\* 所有原材料, 生产制程, 电镀必须符合ROHS要求**



RECOMMENDED PCB LAYOUT

1. SPECIFICATIONS  
 INSULATION RESISTANCE: 500M min.AT DC 500V DC  
 WITHSTANDING VOLTAGE: 250V ACrms FOR 1 MINUTE  
 CONTACT RESISTANCE: 100M max. AT 10MA/20mV max  
 CURRENT RATING: 0.5A  
 SURFACE RATING: 5.0 Yrms  
 OPERATING TEMPERATURE RANGE: -40 to +85 C  
 MATING CYCLES: 5000 INSERTIONS
2. MATERIAL:  
 INSULATOR: H-TEMPERATURE PLASTIC,UL 94V-0,  
 COLOR:BLACK  
 TERMINAL: COPPER ALLOY,T-6.015mm  
 SHELL: STAINLESS STEEL,T-0.15mm
3. FINISH:  
 TERMINAL:50μ" min NICKEL UNDERPLATED ON ALLOYER,GOLD PLATING  
 ON CONTACT AREA, 80μ"min TIN ON SOLDER TAIL.  
 SHELL:50μ" NICKEL UNDERPLATED ON ALLOYER, GOLD FLASH ON SOLDER LATCH

CIRCUIT:



WITHOUT SIM CARD



SIM CARD INSERTED

SIM pin assignment:

PIN#	Name
C1	VCC
C2	RST
C3	CLK
C4	Reserved
C5	GND
C6	VPP
C7	I/O
C8	Reserved



**深圳市连欣科技有限公司**

PRODUCT NAME: SIM PUSH 8P+2 SMT

PRODUCT NO.: XDSM-0081-011

DRAWING NO.: SIM0081MAAS10A

DATE: 2012/5/10  
 CHECK: JANY  
 DATE: 2012/5/10  
 APPROVED: JEFF  
 DATE: 2012/5/10  
 SCALE: 1:1  
 DWG ID: P.D  
 REV.: A  
 PAGE: 1 of 1

REVISION NO.

ECR NO.

DESCRIPTION

MARK

DATE

DIMENSIONS INT: mm  
 UNLESS OTHERWISE SPECIFIABLE  
 DIMENSION TOLERANCE  
 X.X: ± 0.25  
 X.XX: ± 0.10  
 X.XXX: ± 0.05  
 ANGULAR: ± 1°

## X-ON Electronics

Largest Supplier of Electrical and Electronic Components

*Click to view similar products for [Memory Card Connectors](#) category:*

*Click to view products by [Lian Xin](#) manufacturer:*

Other Similar products are found below :

[6407-249V-25273P](#) [6407-249V-25343P](#) [6426-201-21343](#) [69.920.0553.0](#) [MCR60A-98D-2.54DSA\(70\)](#) [809180410000000](#) [DM3AT-SF-PEJM5\(41\)](#) [IC11S-BUR-PNEJL\(71\)](#) [C70210M0083692](#) [2041353-2](#) [308-DS1P0811-192](#) [HM2P09PDR360N9LF](#) [10014744-011TLF](#) [11327-001](#) [11327-002](#) [NX1-32T-KT3K\(05\)](#) [95622-003LF](#) [84648-056HLF](#) [CCM03-3109 B LFT](#) [MS3116J10-6PW](#) [2309923-1](#) [61126-050CAHLF](#) [GTFP08432B1HR](#) [G85D1160022HHR](#) [SCE2MSDZN76A121SN](#) [10014744-011ALF](#) [10014744-011LF](#) [10057542-1211FLF](#) [10067972-000LF](#) [10067972-050LF](#) [10122302-20110LF](#) [G85D1162022HHR](#) [TF-05A](#) [M6014-12](#) [XKNANO-1412](#) [SMN-304-ARP6](#) [MIS11-S1F1-2000-A](#) [SMN-308-ARSP7](#) [MCS-302S-KT1B](#) [SMN-308-ACSP7](#) [K-DYX-008](#) [K-DYX-004](#) [C7024-03](#) [SMO-1030](#) [MCS-110-KT](#) [SIM-217](#) [SNO-1355-KT](#) [SMO-1025-P10](#) [SIM-211S-P6](#) [SNO-1440](#)