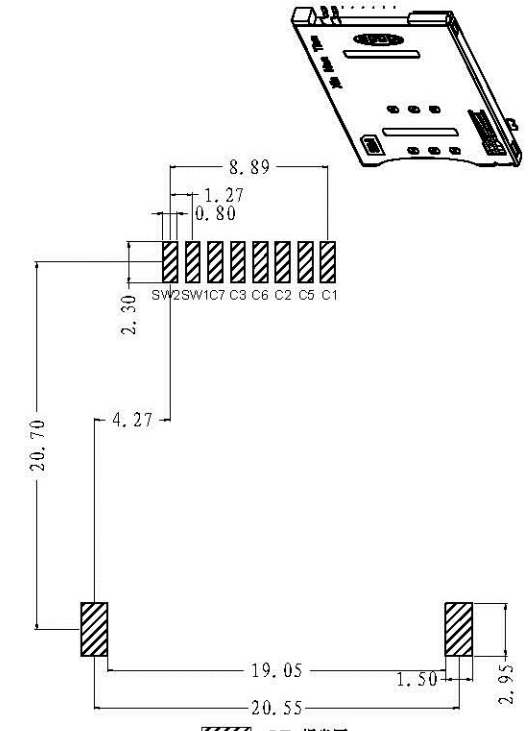
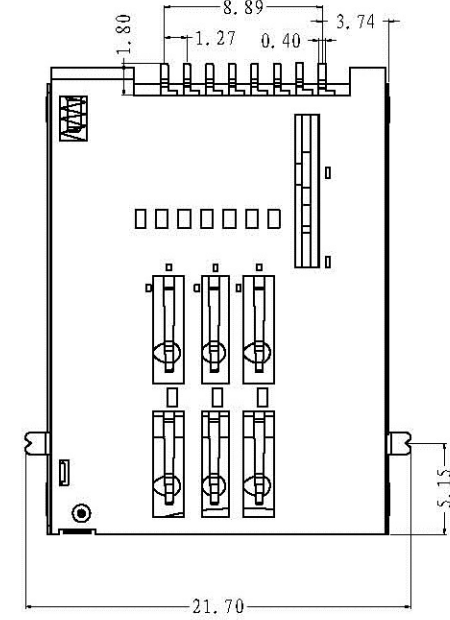
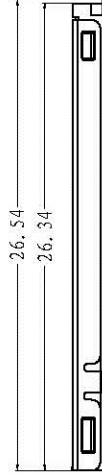
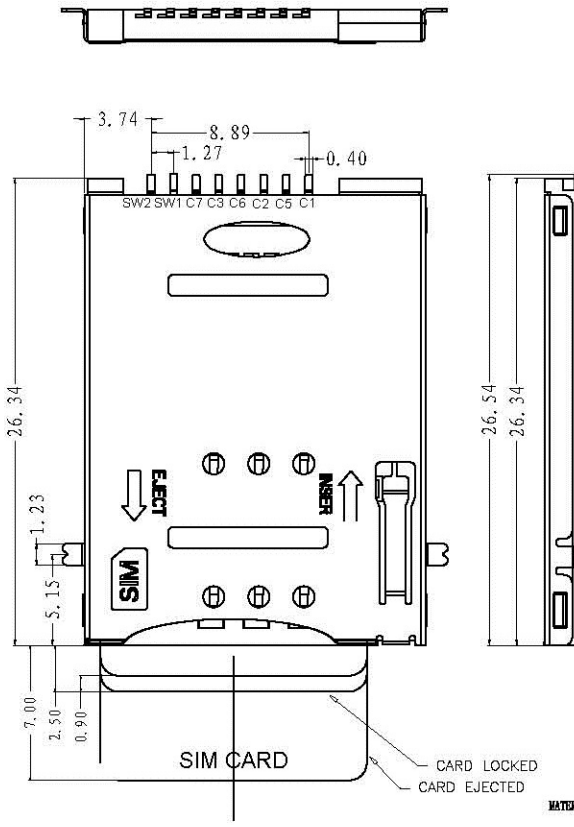
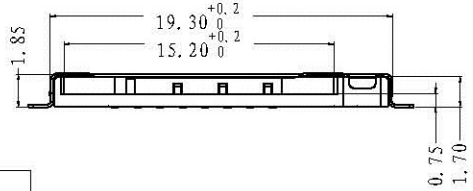


\* 所有原料材质, 生产制程, 电镀必须符合ROHS要求



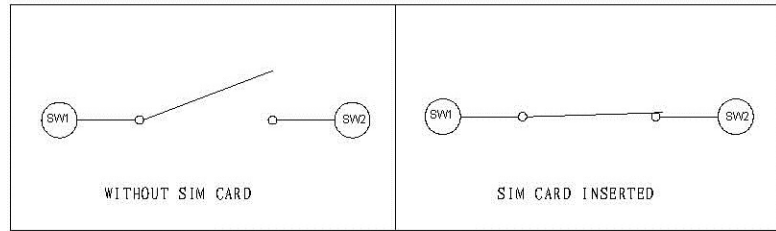
RECOMMENDED PCB LAYOUT  
GENERAL TOLERANCE ±0.05



**MATERIAL:**  
Insulator: High Temperature Thermoplastic,  
UL 94V-0 COLOR:BLACK LCP  
(颜色:黑色LCP, 防火等级:UL 94V-0)  
Contact: Copper Alloy

**PLATING:**  
Contact: Plated 50u" Ni Overall  
Plated Au Selective Contact Area  
Plated 100u" Sn Over Ni On Solder Area  
(接触端子电镀: 全部镀层50u, 接触区域10u金, 焊脚处要60u/最少)  
Shell: Plated 50u" Ni Overall  
Plated 1u" Au Selective Contact Area  
(外壳电镀: 镀层60u, 焊接处10u金)

**Electrical:**  
Current Rating :0.5amps max(额定电流:0.5A最大)  
Voltage Rating :5V AC/DC(额定电压:5V AC/DC)  
Ambient Temperature Range :-20° C~+60° C(工作温度: -20度到+60度)  
Storage Temperature Range :-40° C~+80° C(工作温度: -40度到+80度)  
Ambient Humidity Range :95% R.H. Max. (上限湿度: 95%以上)  
Contact Resistance:100mΩmax. (端子接触电阻: 100mΩ最大)  
Insulation Resistance:1000MΩmin./500VDC(绝缘电阻: 100兆欧最小)  
Mating Cycles:6,000 Insertions(寿命: 6000次)  
产品耐温程度: 260° C



SIM pin assignment	
PIN#	Name
C1	VCC 电压
C2	RST 重置
C3	CLK 时钟
C5	GND 接地
C6	VPP 电压
C7	I/O 输入输出

REVISION NO.	ECR NO.	DESCRIPTION	MARK	DATE
1				
2				
3				

连欣科技  
Lian Xin Technology

深圳市连欣科技有限公司  
Shenzhen City Lianxin Technology Co., Ltd

DIMENSIONS INIT: mm	PRODUCT NAME : <b>SIM PUSH 6P+2P无柱</b>	DRAWING: <b>COCO</b>	DATE: 2012/05/10
UNLESS OTHERWISE SPECIFIABLE	PRODUCT NO. : <b>XDSM-0211-0681</b>	CHECK: <b>JANY</b>	DATE: 2012/05/10
DIMENSION TOLERANCE	DRAWING NO. : <b>LX-0211BAAS06A</b>	APPROVED: <b>JEFF</b>	DATE: 2012/05/10
X.X: ± 0.25 X.XX: ± 0.10 X.XXX: ± 0.05 ANGULAR: ± 1°		SCALE: <b>1:1</b>	DWG ID: P D REV.: <b>A</b> PAGE: <b>1 OF 1</b>

## X-ON Electronics

Largest Supplier of Electrical and Electronic Components

*Click to view similar products for [Memory Card Connectors](#) category:*

*Click to view products by [Lian Xin](#) manufacturer:*

Other Similar products are found below :

[6407-249V-25273P](#) [6407-249V-25343P](#) [6426-201-21343](#) [69.920.0553.0](#) [MCR60A-98D-2.54DSA\(70\)](#) [809180410000000](#) [DM3AT-SF-PEJM5\(41\)](#) [IC11S-BUR-PNEJL\(71\)](#) [C70210M0083692](#) [2041353-2](#) [308-DS1P0811-192](#) [HM2P09PDR360N9LF](#) [10014744-011TLF](#) [11327-001](#) [11327-002](#) [NX1-32T-KT3K\(05\)](#) [95622-003LF](#) [84648-056HLF](#) [CCM03-3109 B LFT](#) [MS3116J10-6PW](#) [2309923-1](#) [61126-050CAHLF](#) [GTFP08432B1HR](#) [G85D1160022HHR](#) [SCE2MSDZN76A121SN](#) [10014744-011ALF](#) [10014744-011LF](#) [10057542-1211FLF](#) [10067972-000LF](#) [10067972-050LF](#) [10122302-20110LF](#) [G85D1162022HHR](#) [TF-05A](#) [M6014-12](#) [XKNANO-1412](#) [SMN-304-ARP6](#) [MIS11-S1F1-2000-A](#) [SMN-308-ARSP7](#) [MCS-302S-KT1B](#) [SMN-308-ACSP7](#) [K-DYX-008](#) [K-DYX-004](#) [C7024-03](#) [SMO-1030](#) [MCS-110-KT](#) [SIM-217](#) [SNO-1355-KT](#) [SMO-1025-P10](#) [SIM-211S-P6](#) [SNO-1440](#)