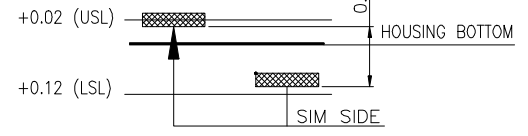
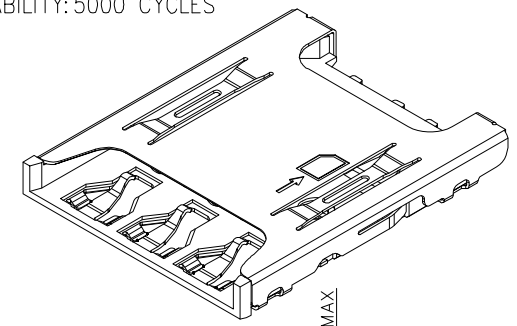


NOTES:

1. MATERIAL:
 - 1-1 HOUSING: THERMOPLASTIC, UL94 V-0 . COLOR;BLACK
 - 1-2 SHELL; STAINLESS STEEL
 - 1-3 CONTACT: COPPER ALLOY
2. FINISH:
 - 2-1 CONTACT: 1u" AU MIN. ON CONTACT AREA
GOLD FLASH ON SOLDER AREA.
50u" NI MIN. UNDERPLATING OVER ALL
 - 2-2 SHELL:GOLD FLASH ON SOLDER AREA
3. PRODUCT SPECIFICATIONS:
 - 3-1 VOLTAGE RATING: 30V
 - 3-2 WITHSTANDING VOLTAGE: AC500V R.M.S
 - 3-3 CURRENT RATING: 0.5A
 - 3-4 INSULATION RESISTANCE; 1000MEG.OHM MIN AT DC 500V
 - 3-5 CONTACT RESISTANCE: 100 MILL.OHM MAX
 - 3-6 OPERATION TEMPERATURE: -40° TO +80°
 - 3-7 DURABILITY:5000 CYCLES

PIN ON	NAME
C1	VCC (SUPPLY VOLTAGE)
C2	RST (RESET SIGNAL)
C3	CLK (CLOCK SIGNAL)
CD	DETECT SWITCH
C5	GND
C6	VPP (VARIABLE SUPPLY BOLTAGE)
C7	I/O (DATE INPUT/OUTPUT)



COPLANARITY(Signal pin & shell)

RECOMMENDED PCB LAYOUT
GENERAL TOLERANCE: ±0.05

TOLERANCE	UNIT	MM	深圳市连欣科技有限公司							
GENERAL	MATERIAL						TITLE	SIM NANO卡座H1.4MM抽拉式C款 带CD脚		
X. ±0.30	FINISH						PART NO.	XDSM-0422-2194		
.X ±0.20	APPR.						DWG NO.	LXSM0135-022		
.XX ±0.10	CHK.		DWG.	易国平	2017.07.16	SIZE A4	SCALE 1:1	SHEET 10F1	REV. A	
.XXX ±0.05	DWG.									
ANGLES										
X. ±2.0°										
.X ±1.0°										
.XX ±0.5°										

A	新版发行			易国平		
REV.	ECN NO.	MODIFICATION	DWG.	CHK.	APPR.	

X-ON Electronics

Largest Supplier of Electrical and Electronic Components

Click to view similar products for [Memory Card Connectors](#) category:

Click to view products by [Lian Xin](#) manufacturer:

Other Similar products are found below :

[6407-249V-25273P](#) [6407-249V-25343P](#) [6426-201-21343](#) [69.920.0553.0](#) [MCR60A-98D-2.54DSA\(70\)](#) [809180410000000](#) [DM3AT-SF-PEJM5\(41\)](#) [IC11S-BUR-PNEJL\(71\)](#) [C70210M0083692](#) [2041353-2](#) [308-DS1P0811-192](#) [HM2P09PDR360N9LF](#) [10014744-011TLF](#) [11327-001](#) [11327-002](#) [NX1-32T-KT3K\(05\)](#) [95622-003LF](#) [84648-056HLF](#) [CCM03-3109 B LFT](#) [MS3116J10-6PW](#) [2309923-1](#) [61126-050CAHLF](#) [GTFP08432B1HR](#) [G85D1160022HHR](#) [SCE2MSDZN76A121SN](#) [10014744-011ALF](#) [10014744-011LF](#) [10057542-1211FLF](#) [10067972-000LF](#) [10067972-050LF](#) [10122302-20110LF](#) [G85D1162022HHR](#) [TF-05A](#) [M6014-12](#) [XKNANO-1412](#) [SMN-304-ARP6](#) [MIS11-S1F1-2000-A](#) [SMN-308-ARSP7](#) [MCS-302S-KT1B](#) [SMN-308-ACSP7](#) [K-DYX-008](#) [K-DYX-004](#) [C7024-03](#) [SMO-1030](#) [MCS-110-KT](#) [SIM-217](#) [SNO-1355-KT](#) [SMO-1025-P10](#) [SIM-211S-P6](#) [SNO-1440](#)