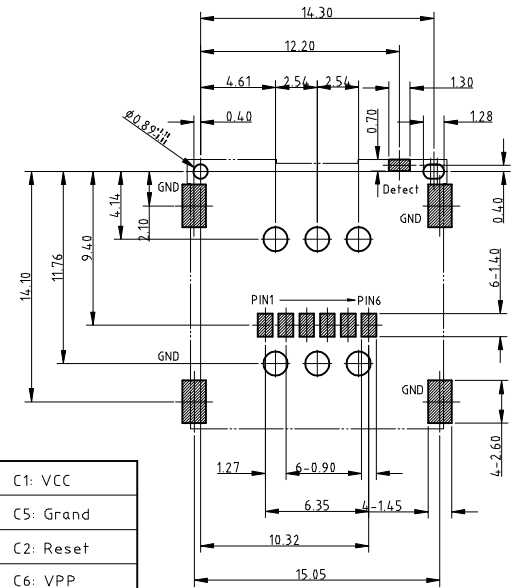
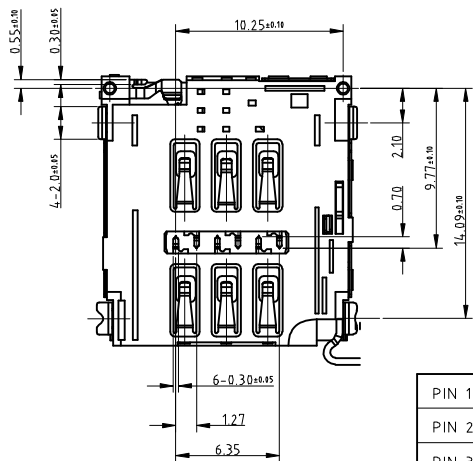
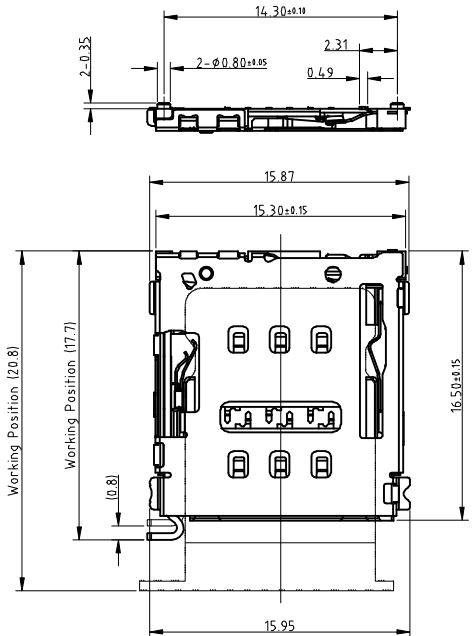


RoHS

REV.	EC#	DESCRIPTION	DATE	DRAWING	CHECKED	APPROVED
A0		NEW RELEASE	07/12'16	YZZ		HAIYONG



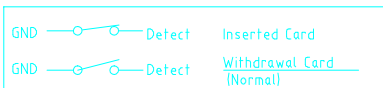
PIN 1#	C1: VCC
PIN 2#	C5: Grand
PIN 3#	C2: Reset
PIN 4#	C6: VPP
PIN 5#	C3: Clock
PIN 6#	C7: I/O

Recommended PCB Layout  
Tolerance: ±0.05

NOTE:

▲ Material & Finish See Table;

2. Circuit Diagram For Switch

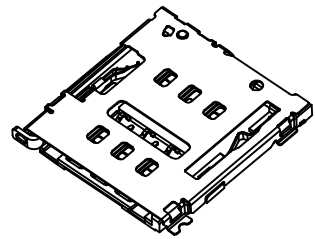


3. Characteristic:

- 3-1.Current Rating :1A max.
- 3-2.Contact Resistance:50mOhms max
- 3-3.Insulation Resistance:100MOhms min./500VDC
- 3-4.Dielectric Withstanding Voltage:500VAC/1minute
- 3-5.Mating Force: 10N Max, Withdrawal Force: 1N Min.;
- 3-6.Durability: 1500 Cycles
- 3-7.Operating Temperature:-25°C to +85°C

4. Critical Dimensions Marked "▼" Should Check By QC.

5. Please Contact GOSTAR Sales Representative to Verify Product Details.



6	Shell	Stainless Steel	Nickel Under Plated Overall
5	Lever	Stainless Steel	/
4	Cam	Stainless Steel	/
3	Housing	Thermoplastics	Black,UL94V-0
2	Detect	Copper Alloy	Gold Flash on Solder Tails and Contact Area; Nickel Under Plated Overall
1	Terminal	Copper Alloy	Gold Flash on Solder Tails and Contact Area; Nickel Under Plated Overall
Item	Part Name	Material	Description

MILLIMETERS	INCH	UNITS	MM
X. <sup>o</sup> ± 2'	X. <sup>o</sup> ± 2'	MAT'L	
.X ± 0.30	.XX ± 0.012	SEE NOTES	
.XX ± 0.20	.XXX ± 0.008	FINISH	
.XXX ± 0.10	.XXXX ± 0.004	SEE NOTES	
		QTY	
		SEE NOTES	

深圳市连欣科技有限公司

PART NUMBER: XDSM-0615-A012 TITLE: 15H Nano SIM Card CONN With Detect

APPD: DWG NO.: C-402013622-00

SCALE	SHEET	REV.
1:1	1/2	A1

THESE DRAWINGS AND SPECIFICATIONS ARE THE PROPERTY OF Dong Guan Jin Bi Lai Electronic Co.,Ltd. COPIED OR USED IN ANY MANNER WITHOUT THE PRIOR WRITTEN CONSENT OF Dong Guan Jin Bi Lai Electronic Co.,Ltd.

## X-ON Electronics

Largest Supplier of Electrical and Electronic Components

*Click to view similar products for [Memory Card Connectors](#) category:*

*Click to view products by [Lian Xin](#) manufacturer:*

Other Similar products are found below :

[6407-249V-25273P](#) [6407-249V-25343P](#) [6426-201-21343](#) [69.920.0553.0](#) [MCR60A-98D-2.54DSA\(70\)](#) [809180410000000](#) [DM3AT-SF-PEJM5\(41\)](#) [IC11S-BUR-PNEJL\(71\)](#) [C70210M0083692](#) [2041353-2](#) [308-DS1P0811-192](#) [HM2P09PDR360N9LF](#) [10014744-011TLF](#) [11327-001](#) [11327-002](#) [NX1-32T-KT3K\(05\)](#) [95622-003LF](#) [84648-056HLF](#) [CCM03-3109 B LFT](#) [MS3116J10-6PW](#) [2309923-1](#) [61126-050CAHLF](#) [GTFP08432B1HR](#) [G85D1160022HHR](#) [SCE2MSDZN76A121SN](#) [10014744-011ALF](#) [10014744-011LF](#) [10057542-1211FLF](#) [10067972-000LF](#) [10067972-050LF](#) [10122302-20110LF](#) [G85D1162022HHR](#) [TF-05A](#) [M6014-12](#) [XKNANO-1412](#) [SMN-304-ARP6](#) [MIS11-S1F1-2000-A](#) [SMN-308-ARSP7](#) [MCS-302S-KT1B](#) [SMN-308-ACSP7](#) [K-DYX-008](#) [K-DYX-004](#) [HYCW126-TF18-150B](#) [C7024-03](#) [SMO-1030](#) [MCS-110-KT](#) [SIM-217](#) [SNO-1355-KT](#) [SMO-1025-P10](#) [SIM-211S-P6](#)